



GLOBE AIRMOTORS B.V.



YOUR GLOBAL FORCE IN AIR POWER







THE GLOBE AIRMOTORS COMPANY

GLOBE Airmotors was founded in 1986 and designs, manufactures, sells and modifies air motors of many styles.

GLOBE Airmotors has an enthusiastic team, with a wealth of experience, ready at your disposal. Service and short delivery times are very important according to GLOBE Airmotors. Short delivery times can only be maintained when there is a stock that is sufficient to fulfil the need for quick air motor demands. As a result of this, standard products can be delivered from stock at all times.

GLOBE Airmotors keeps the production within its own organization, making it possible for customers to come up with unique specifications. New products are being designed and tested at the workshop before they reach each customer. Part of GLOBE' service are fast answers to questions asked by customers.



ISO CERTIFICATION

Along with service and short delivery times, GLOBE Airmotors finds overall quality very important. We are ISO 9001 certified to maintain our quality at it's best.

ATEX

Air motors and other pneumatic drives are often used in explosion risk environments such as mines. To ensure that GLOBE products are allowed to be used at these hazardous environments, GLOBE obtained ATEX certificates for all their air motors and gearboxes. Delivery is possible with ATEX II cat. 2 G&D T5 and ATEX I M2 (Mining).

For more information you can also go to our website:

www.GLOBE-benelux.nl

Drawings and performances are also available on our website.

ACKNOWLEDGEMENT

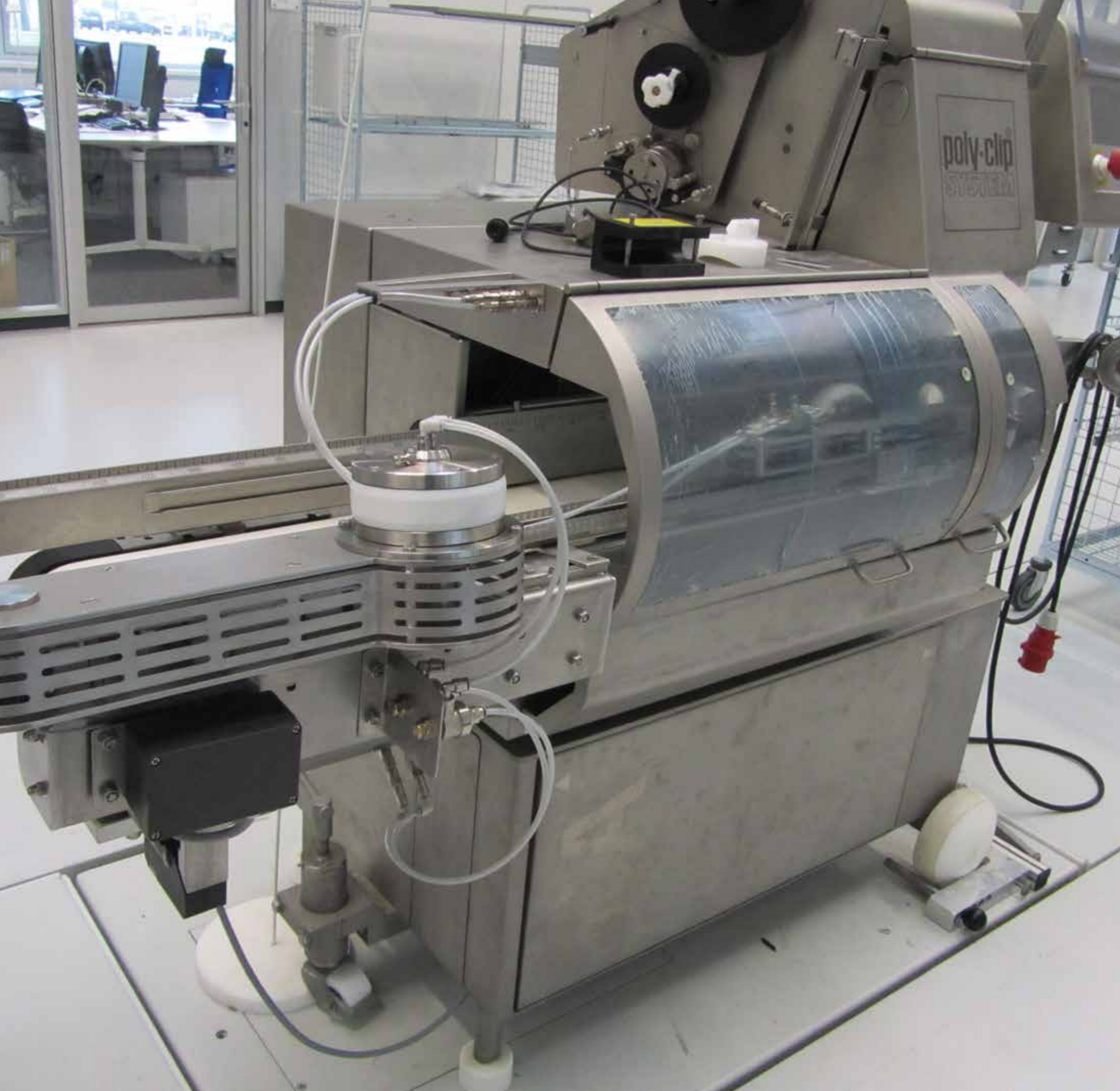
The Pictures in this GLOBE catalogue are made possible because of the following companies:

| | |
|--|------------------|
| Duits Engineering, Zutphen (NL) | PAGE 2 |
| Poly-clip, Turnhout (BE) | PAGE 6 |
| Het Muziektheater, Amsterdam (NL) | PAGE 11 |
| Hydrauvision, Schoondijke (NL) | PAGE 13 |
| SPGPrints B.V., Boxmeer (NL) | PAGE 15 |
| Dromec, Rhenen (NL) | PAGE 54, 59, 107 |
| Bohr Instrument Services BV, Veenoord (NL) | PAGE 16, 20 |
| Gritco Equipment BV, Ridderkerk (NL) | PAGE 51 |
| Marotechniek BV, Zutphen (NL) | PAGE 140 |
| BPL Roosen, Haelen (NL) | PAGE 172, 186 |

CONTENTS

| | |
|--|----------|
| INTRODUCTION AIR MOTORS | PAGE 07 |
| AIR MOTOR SELECTION GUIDE | PAGE 09 |
| HOW TO CONTROL AND USE AN AIR MOTOR? | PAGE 10 |
| APPLICATIONS OF AIR MOTORS | PAGE 17 |
| GLOBE VANE AIR MOTORS | PAGE 19 |
| NON LUBRICATED VANE AIR MOTORS | PAGE 37 |
| GLOBE GEARED VANE AIR MOTORS | PAGE 55 |
| GLOBE PFG-RED PLANETARY GEARED VANE MOTORS | PAGE 80 |
| VANE AIR MOTORS WITH BRAKE | PAGE 105 |
| DIRECT CONTROLLED VANE AIR MOTORS | PAGE 108 |
| AIR MOTOR UNIT FOR WINCHES | PAGE 123 |
| COMPACT VANE AIR MOTORS | PAGE 131 |
| RADIAL PISTON (RM) AIR MOTORS | PAGE 141 |
| COMPACT PISTON AIR MOTORS | PAGE 172 |
| GLOBE PNEUMATIC BRAKES - BN SERIES | PAGE 187 |
| WINCH SYSTEM | PAGE 191 |
| STAINLESS STEEL MOTORS AND ACCESSORIES | PAGE 197 |

'Although the information contained in this brochure has been compiled with the utmost care, it is subject to change without notice. It is therefore your responsibility to verify its accuracy before acting on it'



INTRODUCTION AIR MOTORS

GLOBE Airmotors sells, manufactures and modifies a large variety of air motors and gearboxes suitable for all your needs.

Air motors offer a unique drive and incorporate advantages not found in other prime movers. Air motors are impossible to ignore for any engineer, because of the strong and reliable power they produce. Due to the wide range of products that GLOBE Airmotors has, applicable for a lot of different purposes.

GLOBE Airmotors has a wide selection of air motors each with its own advantages, such as the [GLOBE Piston Air Motors](#), [GLOBE Vane Air Motors](#), [GLOBE-Archimedes Compact Vane Air motors](#), the [GLOBE Compact Piston Airmotors](#) and all options needed for Air motors.



AIR MOTOR SELECTION GUIDE

VANE AIR MOTORS

The vane air motors are the most widely used design of air motors. They are available in a broad range of power and can operate in any position. The vane air motors prove themselves to be much lighter and more compact compared to piston air motors of similar power. A combination of a GLOBE vane air motor with a large variety of gearboxes is possible when lower speed and/or higher torque is demanded for the application. The most typical vane air motor applications are:

- Mixing equipment
- Ventilators
- Hoists
- Winches
- Pump drives
- Conveyor belts
- Turntables
- Packing machines
- After coolers

COMPACT VANE AIR MOTORS

The compact vane air motors are motors that have incorporated reduction units. Due to the wide range of gear ratios the compact vane air motors are suitable in many different applications. The compact vane air motors are known for delivering very high speed and very high torque compared to the compact build of the motor.

Compact vane air motors prove themselves in handheld applications, pipe cleaners and lots of other different industries which require compact build and strong reliable motors.

COMPACT PISTON AIR MOTOR

The GLOBE compact piston air motors are used in numerous applications. Due to its unique design the compact piston air motor are most suitable for light and medium duties at low speed operations. A combination of a GLOBE compact piston air motor with a large variety of gearboxes is possible when even lower speed and/or higher torque is demanded for the application. The most typical compact piston air motor applications are:

- Mixing equipment
- Winding equipment
- Conveyor belts
- Hose reels
- Turntables
- Packing machines
- Cap screwing machines

PISTON AIR MOTOR

The GLOBE piston air motor are heavy duty air motors. This radial piston air motor combines a large variable speed with high power and torque. The motors have either four or five pistons with oil bath lubrication and their design allows them to deliver the highest power in air motors. A combination of a GLOBE piston air motor with a large variety of gearboxes is possible when lower speed and/or higher torque is demanded for the application.

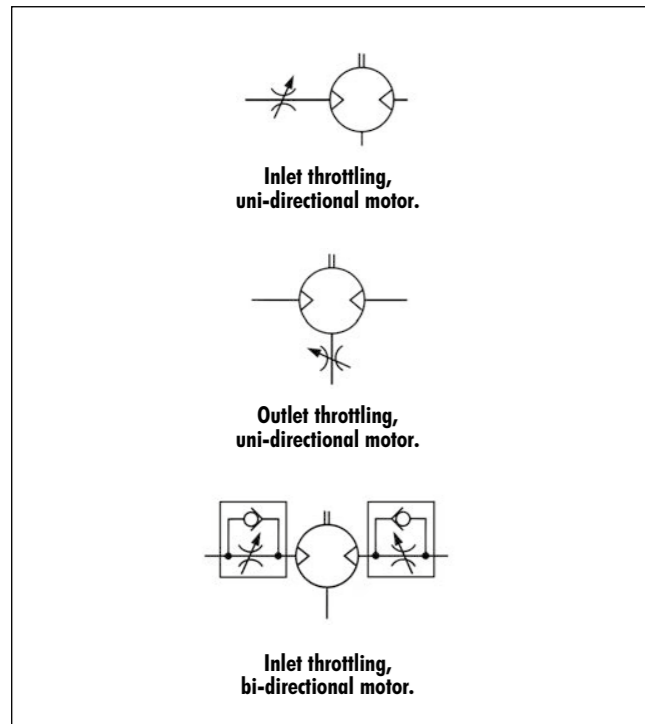
The piston air motor is applicable in many situations and is commonly used in winches, offshore and other heavy duty applications.

HOW TO CONTROL AND USE AN AIR MOTOR

SPEED REGULATION

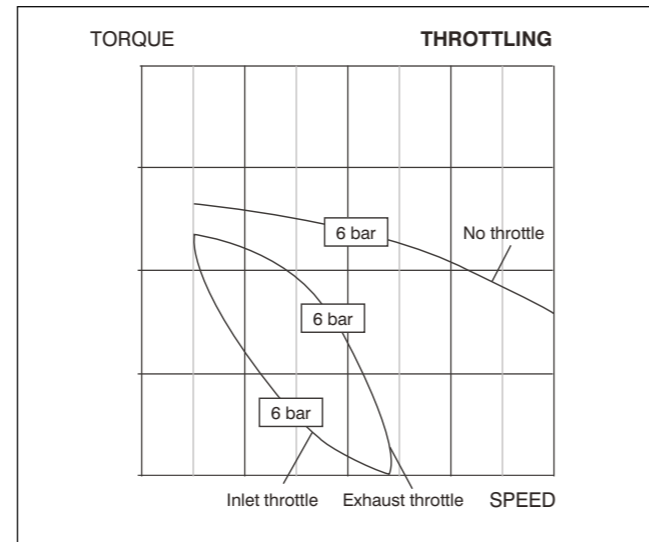
Controlling the performance of an air motor is done by regulating the air supply. This is relatively low cost and simple. The methods to regulate the air supply are throttling and pressure regulation.

TROTTLING METHODS



THROTTLING

The air flow is controlled by placing a flow control valve at the inlet port or the outlet port of the air motor. Throttling will reduce the maximum speed of the motor but will not affect the starting performance; the air pressure is unaffected at low flow conditions i.e. starting. Please consult the chapters of the different air motors for the correct throttling graphs and methods'.

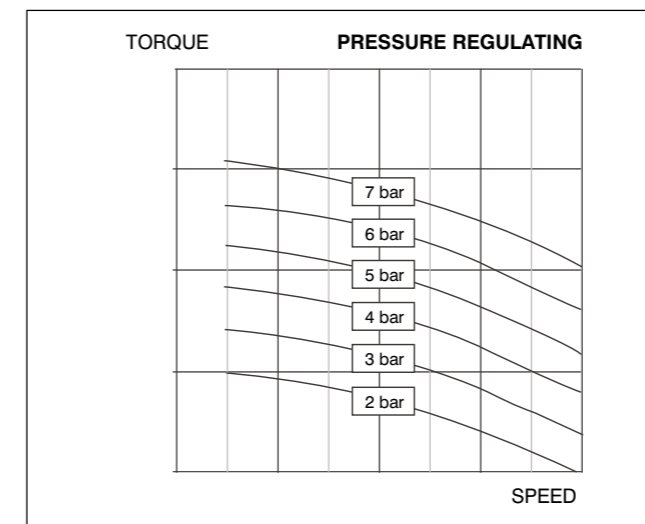
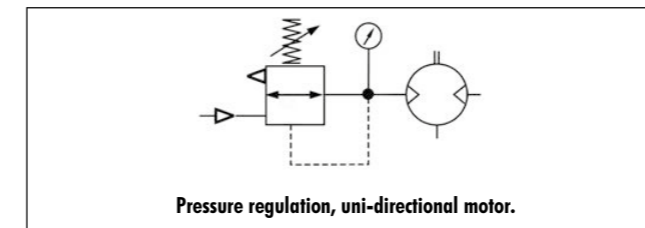


PRESSURE REGULATOR

The speed and power can also be reduced by installing a pressure regulator on the incoming air supply. The pressure regulator reduces the air pressure to the motor. A pressure regulator is always fitted on the inlet port. By using a pressure regulator the torque on the output shaft will be affected, starting torque is best controlled with this method.

PRESSURE REGULATING METHOD

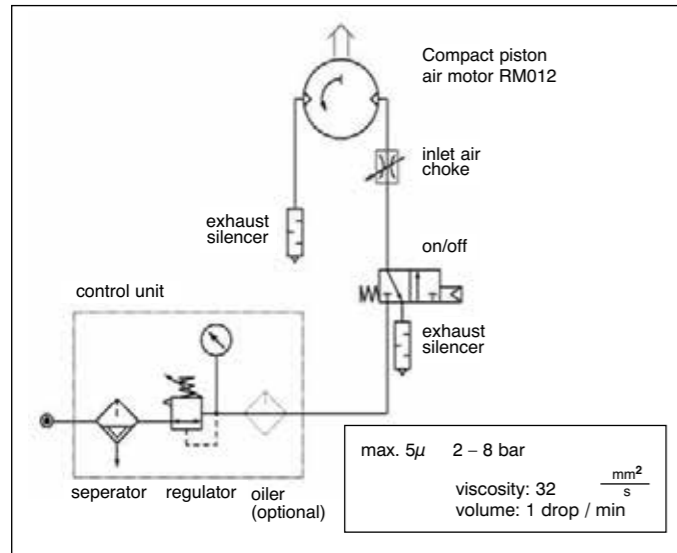
When both the speed and the torque are to be controlled the best configuration is to use a pressure regulator in the air line to the motor and a flow control valve on the outlet port. This way every point in the torque-speed graph can be set accurately.



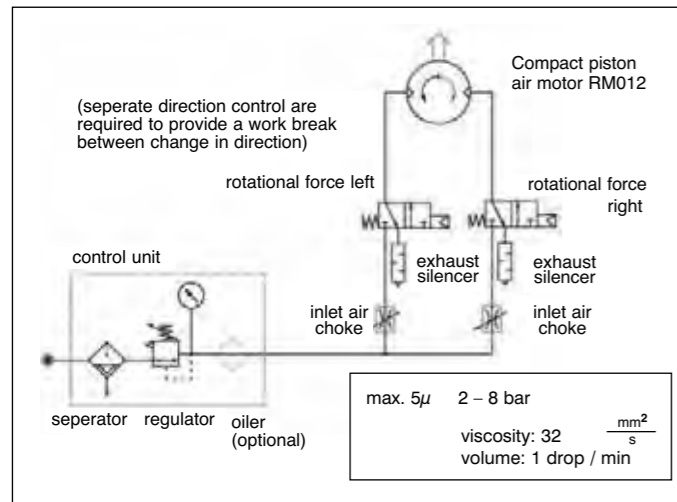
DIRECTIONS OF ROTATION

The GLOBE air motor can be used both as a uni-directional and as a bi-directional air motor. When the air motor is used in a non-reversible application, it is sufficient to use a 2/2 or a 3/2 valve. For the reversible motor you can use either a 5/3 or two 3/2 valve to gain directional control.

UNI - DIRECTIONAL



BI - DIRECTIONAL



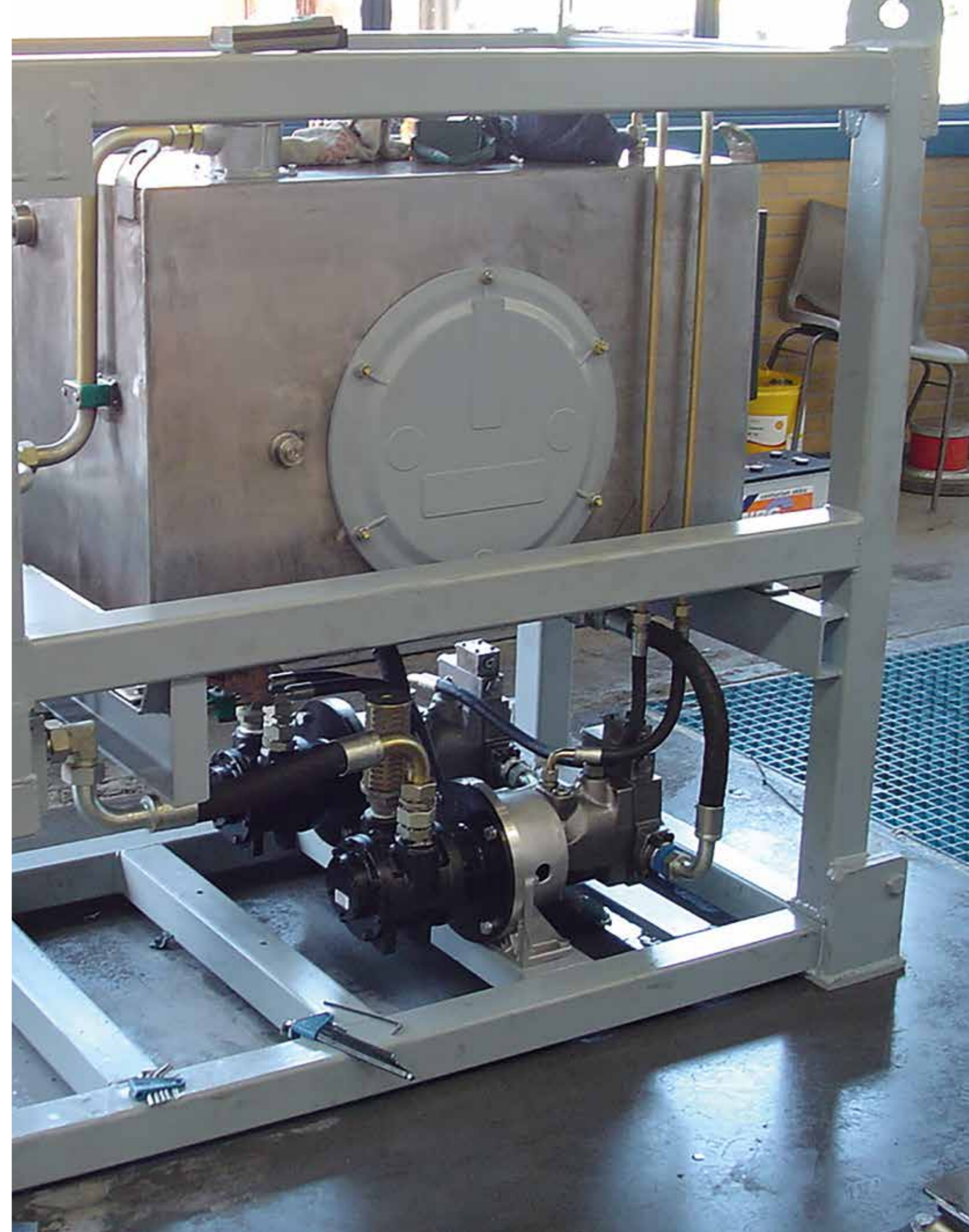
AIR SUPPLY

AIR QUALITY

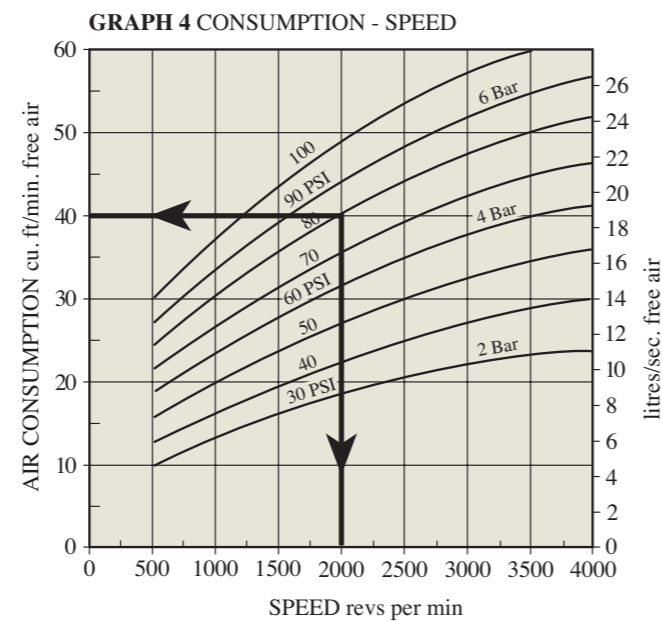
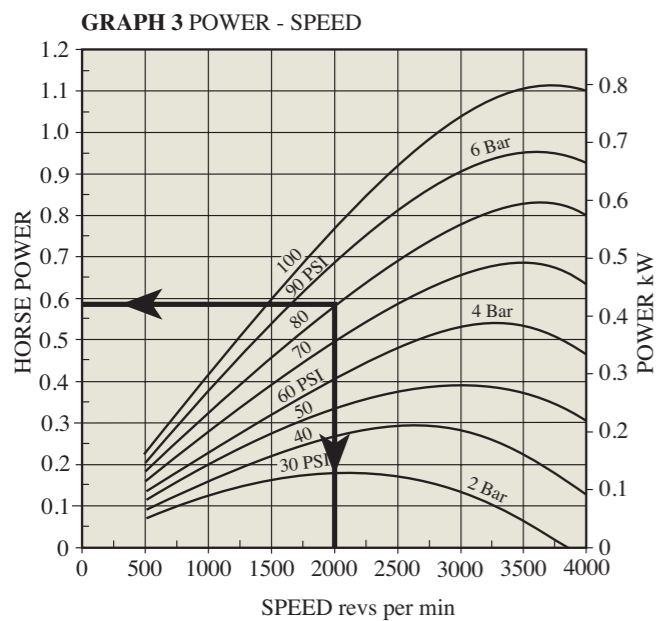
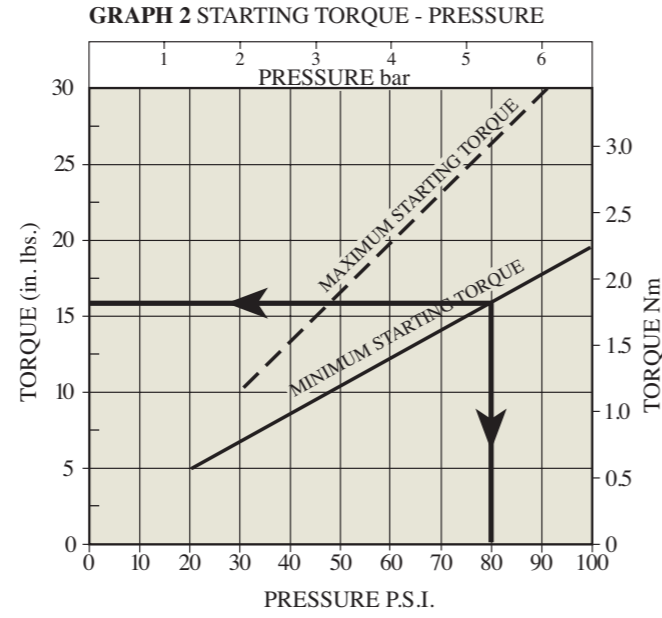
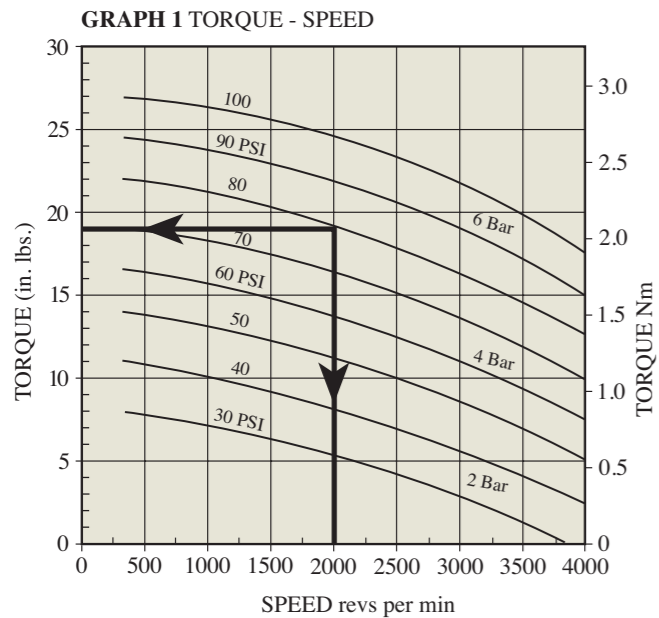
To ensure optimal working conditions for the GLOBE air motor, the air supply must be dry, filtered and lubricated. A 5 micron filter or better is recommended for the compact piston air motors and the compact vane air motors, a 64 microns filter or better is recommended for the vane air motors. The GLOBE air motor should be lubricated sufficiently. Oilless operations are possible in certain applications.

AIR LINE RESTRICTIONS

Air line restrictions on the inlet side of the motor will result in performance loss. Therefore it is important to make sure that the desired air pressure is available at the motor during operation. The pressure reading at the compressor or pressure regulator may be different than the pressure available at the motor. Performance loss can also occur by an exhaust restriction generating back pressure on the outlet side of the motor. An insufficiently sized silencer, valve or coupling is usually the cause.



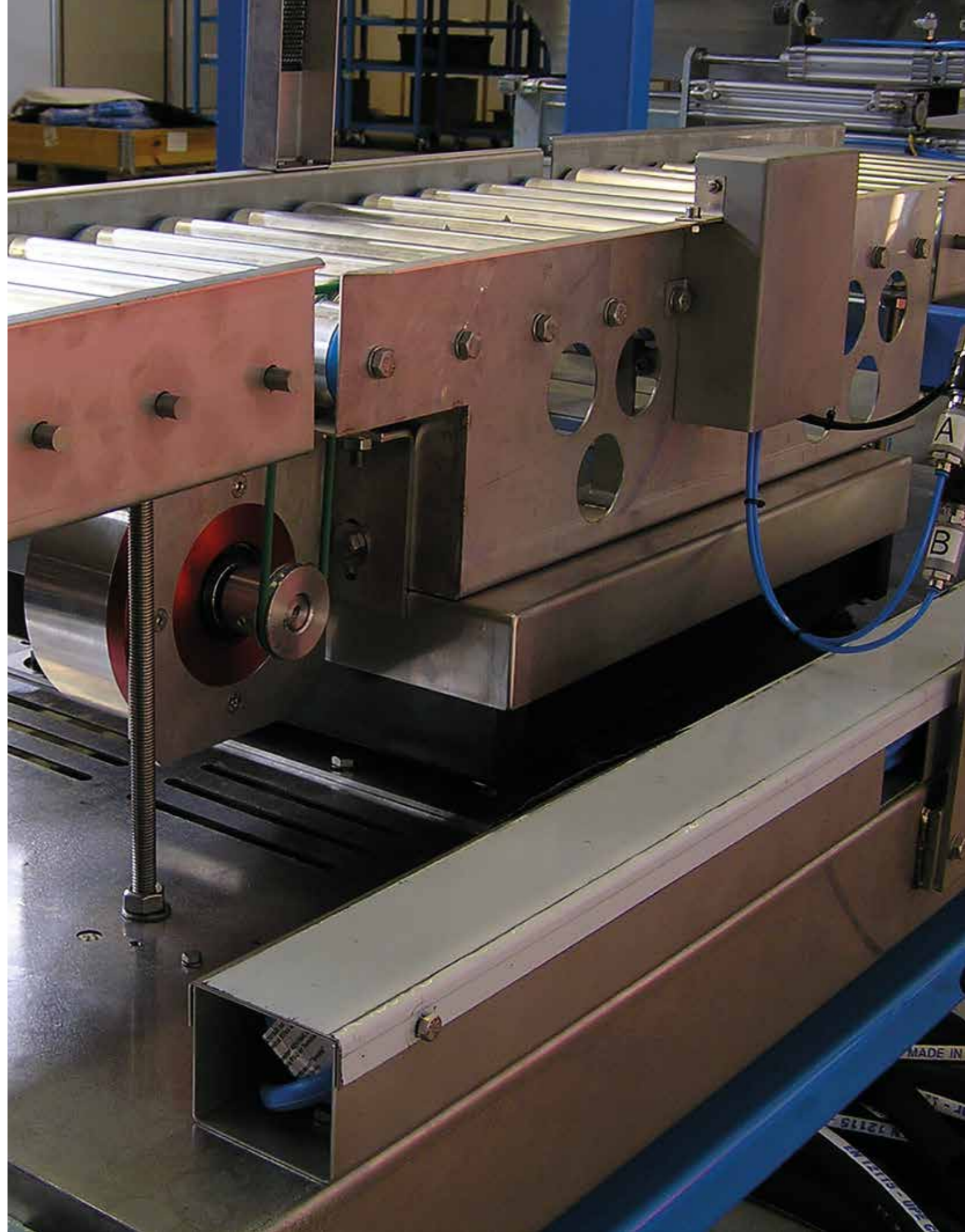
MOTOR SELECTION (EXAMPLE BASED ON V2)



MOTOR SELECTION

Motor performance can be derived from the above graphs as in the examples shown. Where motors are not required to start under load, such as fan drives, selection may be made using either Graph 1 or Graph 3 using the required running torque or power only. For applications where the motor starts under load, such as hoists, winches or track drives, the starting torque in Graph 2 must also be considered.

1. Running torque example: V2 at 80 psi gives 19 lbf.ins. torque at 2000 rpm.
2. Starting torque example: V2 at 80 psi gives 16 lbf.ins. torque at 2000 rpm.
3. Output power example: V2 at 80 psi gives 0.6 hp at 2000 rpm.
4. Air consumption example: V2 at 80 psi and 2000 rpm requires 40 u.ft./min. free air.





APPLICATIONS OF AIR MOTORS

GLOBE air motors are being used in a large variety of applications. Here you will find some examples of the most common applications in which our air motors are being used.

WINCHES

GLOBE air motors are commonly used in in winching applications. Due to our broad range of gearboxes, brakes and control valve possibilities our air motors are used on many different winches. Please contact us for the possibilities or more information.

AFTER COOLERS

The GLOBE air motors are also used in after coolers. Because our air motors can run in many different speeds they prove themselves to be a perfect match with for after coolers.

CONVEYOR BELTS

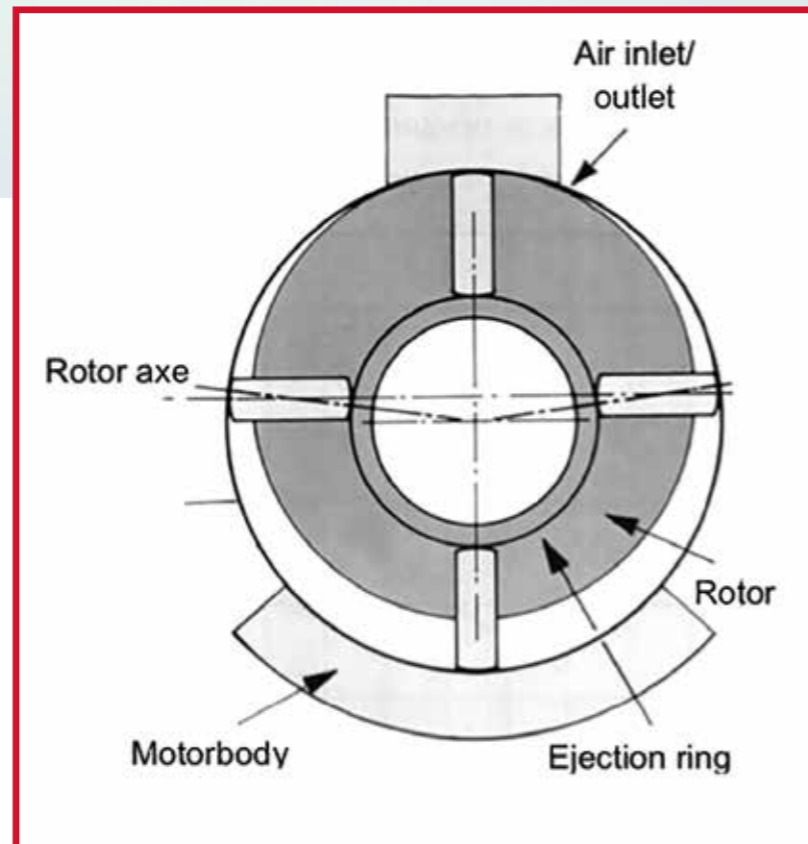
Many companies use our air motors for the drive of their conveyor belts. In combination with a gearbox, brake or control valve the options are many.

MIXING APPLICATIONS

We find our air motors being used in many different mixing applications. That is one of the reasons we have stainless steel air motors or/and motors which can run without lubrication.

PUMP DRIVES

Pumps are also often being driven by our air motors. Our large scope of available power, torque and IEC or NEMA flanges makes our air motors user-friendly in many different situations.



GLOBE VANE AIR MOTORS

ADVANTAGES

Vane air motors offer a unique form of drive and incorporate advantages not found in other prime movers.

These advantages include:

- Simple and inexpensive variable speed and torque control with a flow control valve and/or pressure regulator.
- Intrinsically safe for explosion proof environments. All GLOBE vane air motors are certified according to the European Explosion Directive ATEX II cat. 2 G&D T5 and ATEX I M2.
- Air motors can be stalled indefinitely under load. They will not over heat or burn out.
- Instantly reversible, operated with a simple control valve.
- Controllable over a wide speed range.
- Resistant to warm, dirty and damp conditions. GLOBE vane air motors can be used in ambient temperatures up to 80 °C.
- Minimal maintenance because of simple design which results in less downtime.
- Air motors are compact and light weight compared to equivalent electric motors.
- High reliability and little wear thanks to the low number of moving parts.
- No shock start up which improves the life span of your equipment.
- Variety of mountings which include foot, face, NEMA flanges and IEC flanges.

WHY CHOOSE A GLOBE VANE AIR MOTOR?

NO PINS OR SPRINGS.

The GLOBE blade ejection system consists of an ejection ring which maintains a constant positive blade contact with the motor body. This guarantees the blade position on start up, preventing free air flow from port to port and ensuring the motor produces its rated starting torque. The ejection ring design removes the requirement for pins or springs, the result is low vane wear and a high motor reliability.

THE GLOBE vane air motors can be supplied with a wide range of gearboxes, such as planetary, helical, bevel and worm gears, directly coupled to the motor.

Suitable for running on natural sweet gas and other gasses.

Oil-less function possible under certain operating conditions.

Robust design for operation in harsh environments. Available in a variety of motor interfaces including foot, face, NEMA and IEC flanges. Special adaptations are available on request, consult GLOBE Airmotors BV or your local distributor for more information.



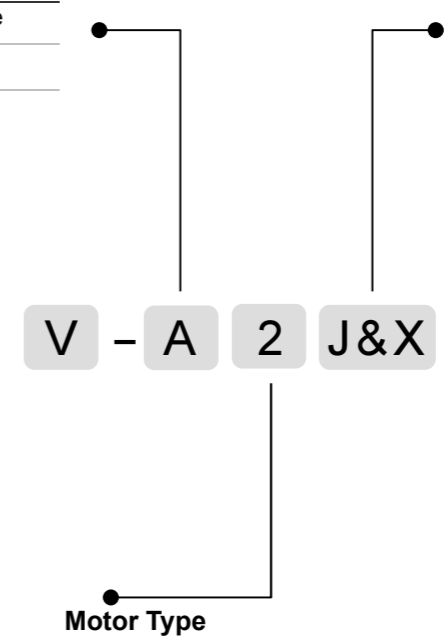
ORDERING CODES

Mounting position

| | |
|---|---------------------------|
| A | Foot, Face or NEMA Flange |
| S | Metric Flange |

Mounting type

| | |
|-----|-----------------------------|
| J&X | Foot, face mounting |
| C | Flange mounting (IEC, NEMA) |



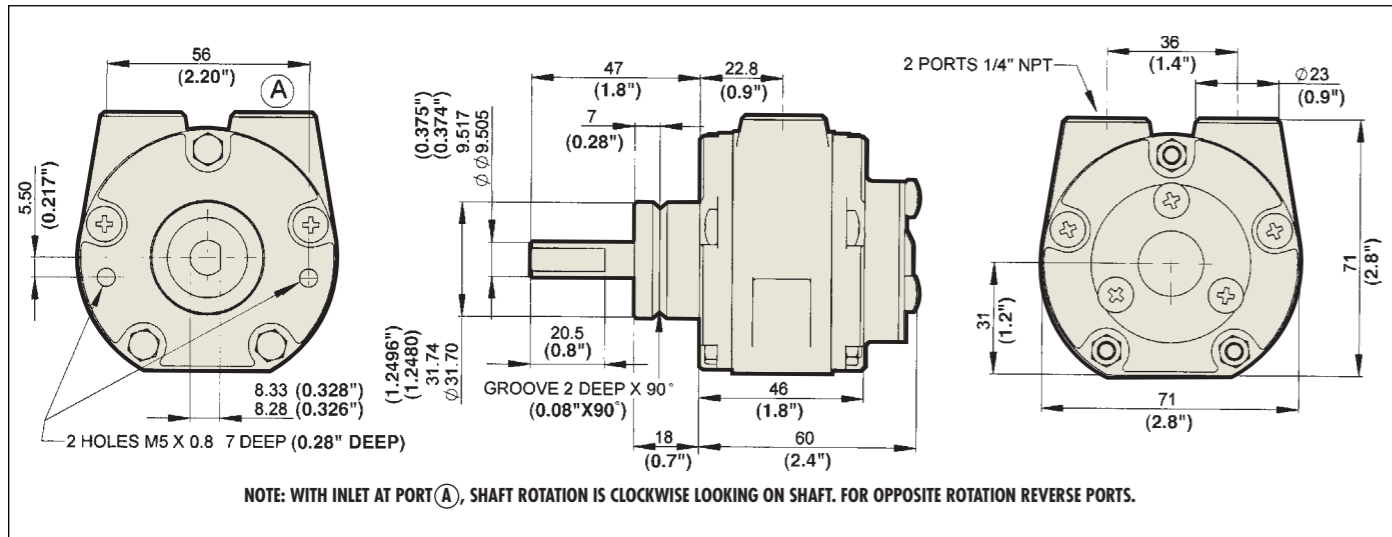
Motor Type

| | |
|----|--|
| 1 | 0,44 kW / 0,6 hp (only VA1J&X available) |
| 2 | 0,82 kW / 1,1 hp |
| 4 | 2,1 kW / 2,8 hp |
| 6 | 3,4 kW / 4,6 hp |
| 8 | 5,4 kW / 7,2 hp |
| 10 | 9,5 kW / 12,8 hp |
| 12 | 14 kW / 19,1 hp (only in available in flange models) |

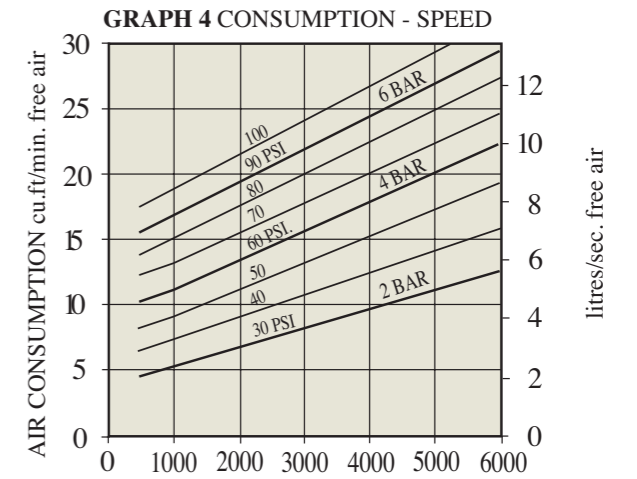
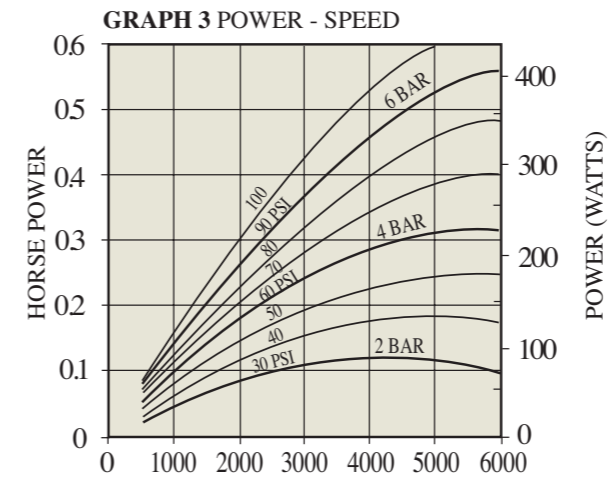
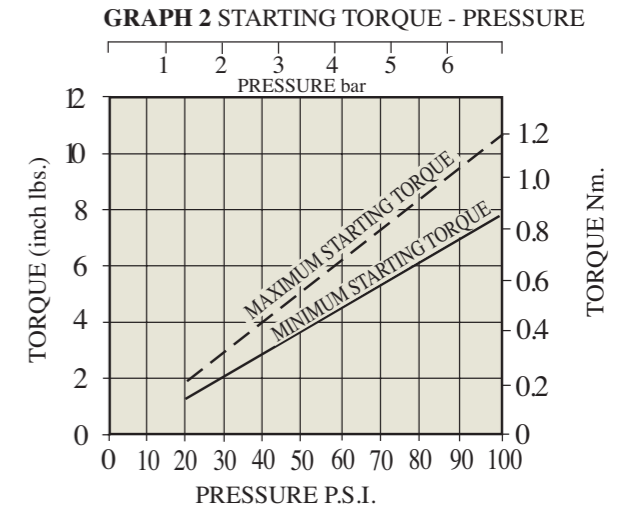
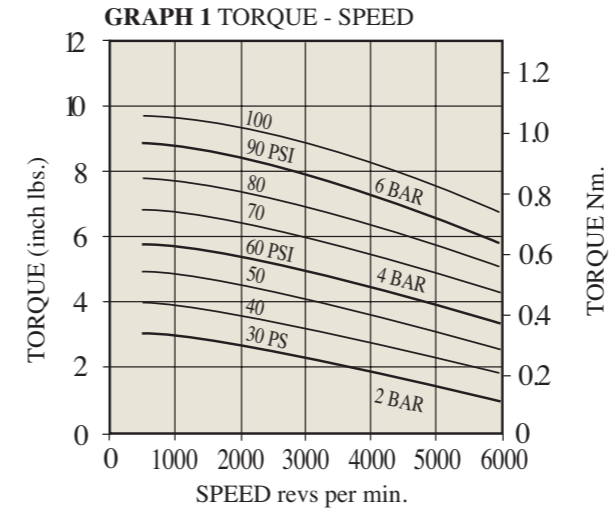
Use the ordering codes to create the GLOBE Vane Air Motor you want.

For example: VA4J&X or VS8C (the VS types are only suitable with a C at the end of the code)

DIMENSIONS V1



PERFORMANCE V1 | 0 - 0.6 HP/0.44 KW REVERSIBLE



ATTITUDE:

The motor can be operated in all orientations.

AIRLINE FILTRATION AND LUBRICATION:

Use 64 micron filtration or better. Choose a lubricator suitable for the flow required. Prior to start up, inject oil into the inlet port.

LUBRICATOR DROP RATE:

4-5 drops per minute continuous operation.
9-12 drops per minute intermittent operation.

POLAR MOMENT OF INERTIA:

0.16 lb.ins² (460 g.cm²).

MAXIMUM OVERHUNG FORCE ON SHAFT:

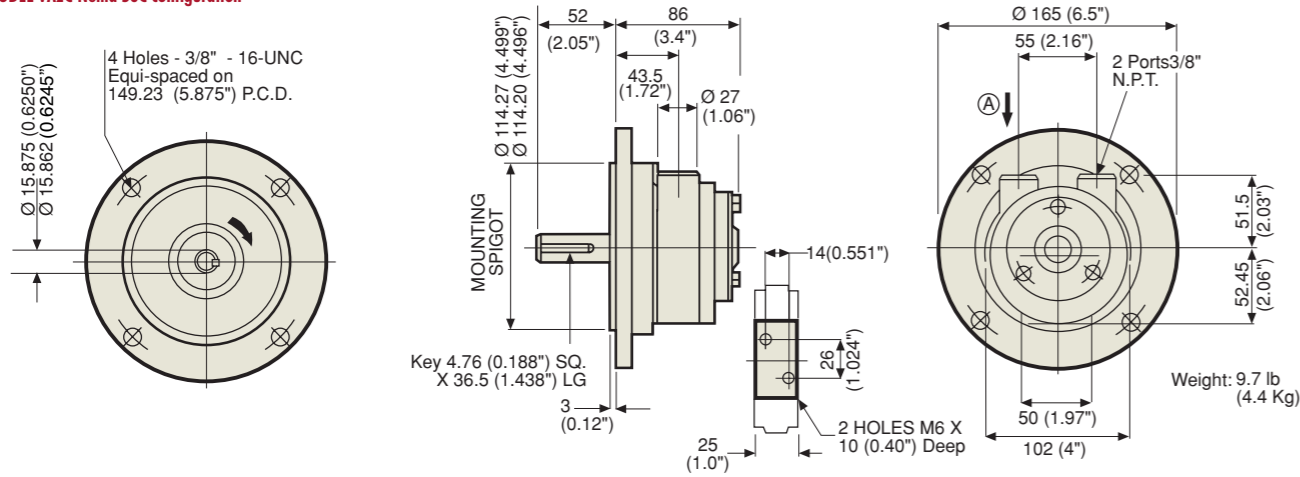
4 lbf (18N) Axial loads should be kept to a minimum. Consult your GLOBE Distributor.

MAXIMUM TEMPERATURES:

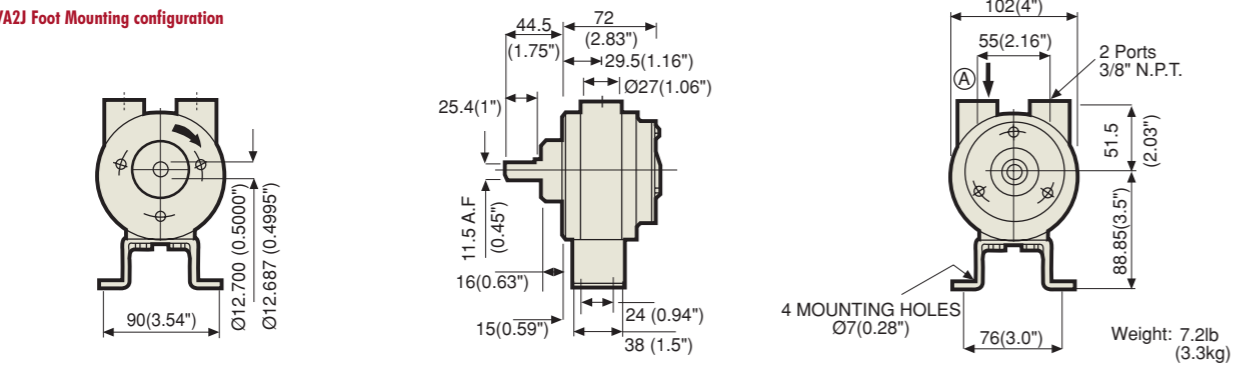
-4° to +176° Fahrenheit. (-20° to +80°C)
Muffler supplied with motor.

DIMENSIONS V2

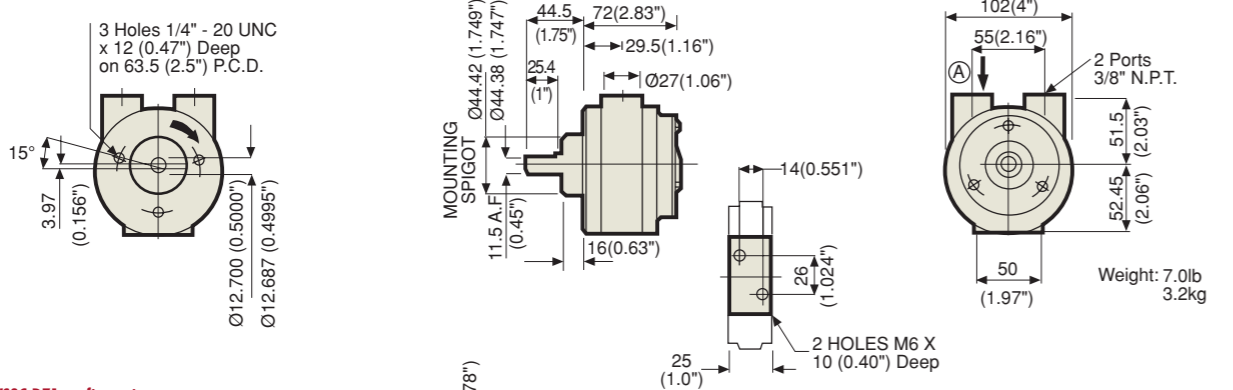
MODEL VA2C Nema 56C configuration



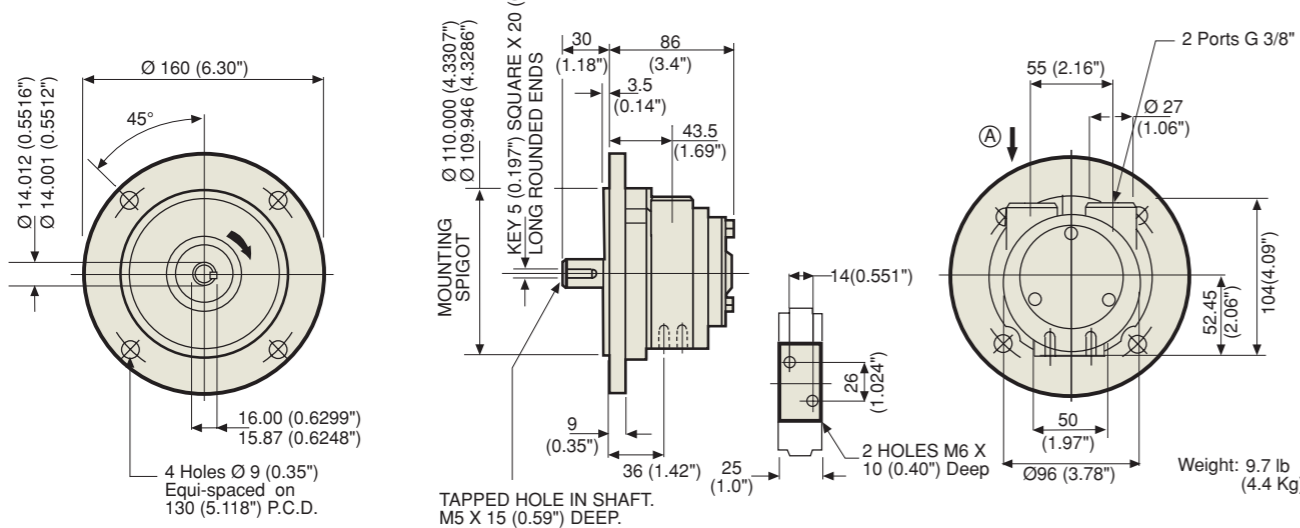
MODEL VA2J Foot Mounting configuration



MODEL VA2X Face Mounting configuration

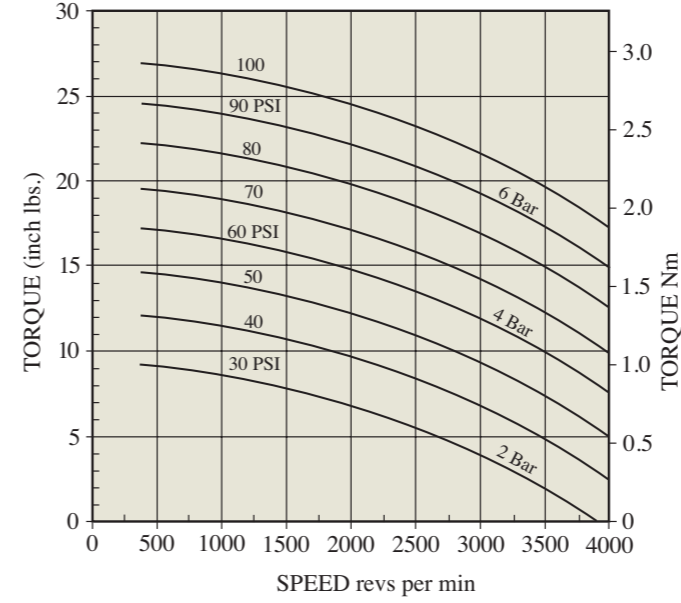


MODEL VS2C D71 configuration

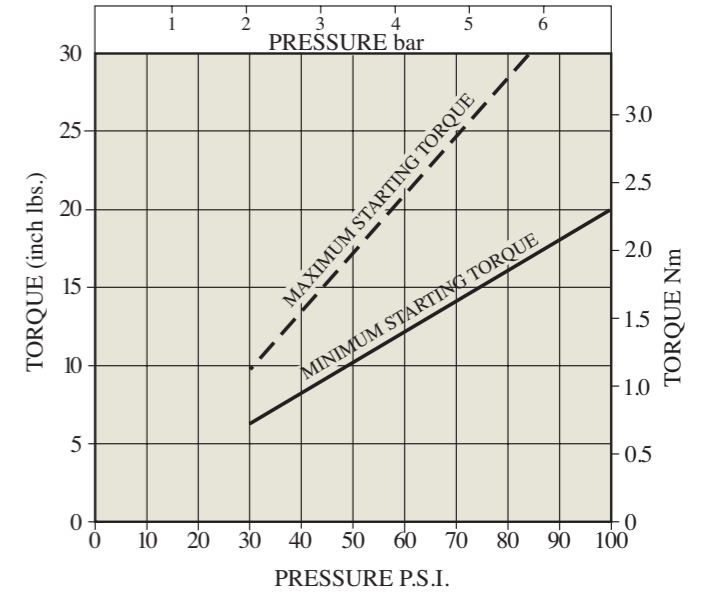


PERFORMANCE V2 | 1.1 HP/0.82KW REVERSIBLE

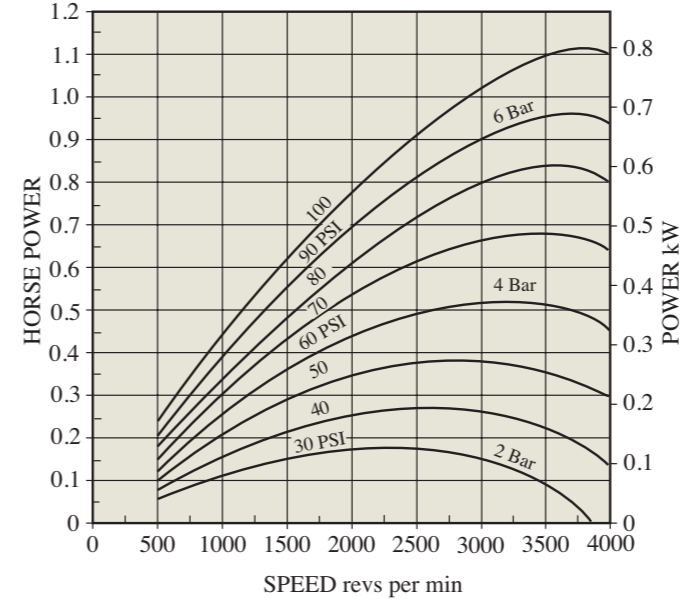
GRAPH 1 TORQUE - SPEED



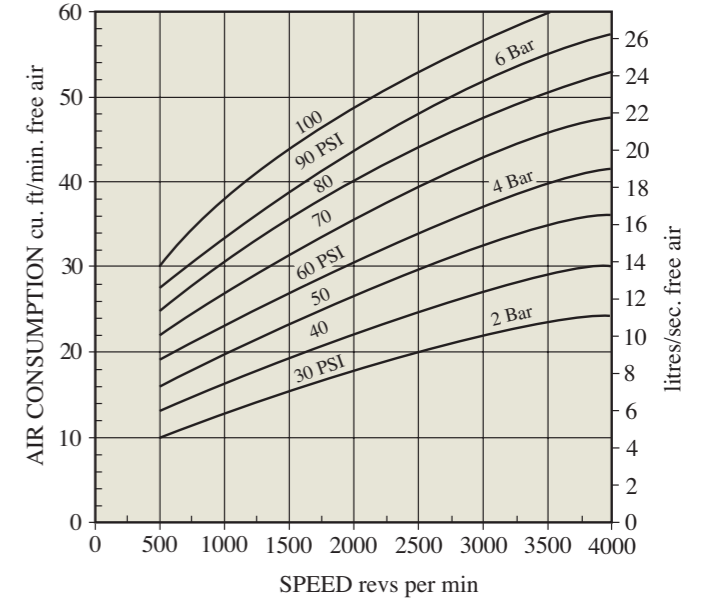
GRAPH 2 STARTING TORQUE - PRESSURE



GRAPH 3 POWER - SPEED



GRAPH 4 CONSUMPTION - SPEED



ATTITUDE:

The motor can be operated in all orientations.

AIRLINE FILTRATION AND LUBRICATION:

Use 64 micron filtration or better. Choose a lubricator suitable for the flow required. Prior to start up, inject oil into the inlet port.

LUBRICATOR DROP RATE:

4-5 drops per minute continuous operation.
9-12 drops per minute intermittent operation.

POLAR MOMENT OF INERTIA:

0.47 lb.ins² (0.139 g.m²).

MAXIMUM OVERHUNG FORCE ON SHAFT:

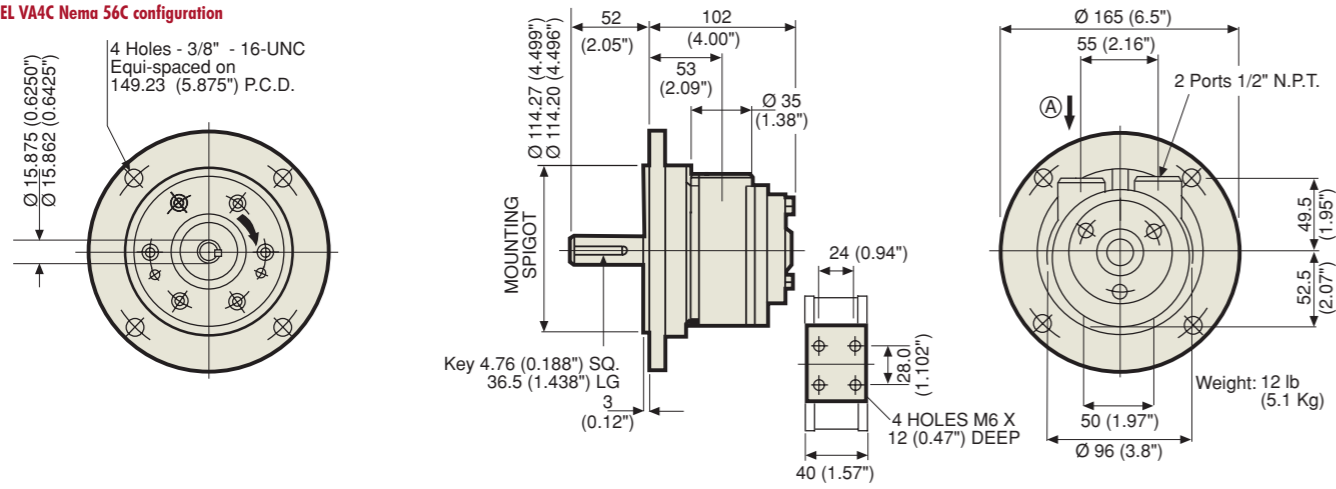
90 lbf (400N) In certain circumstances this may be extended. Consult your GLOBE Distributor. Axial loads should be kept to a minimum.

MAXIMUM TEMPERATURES:

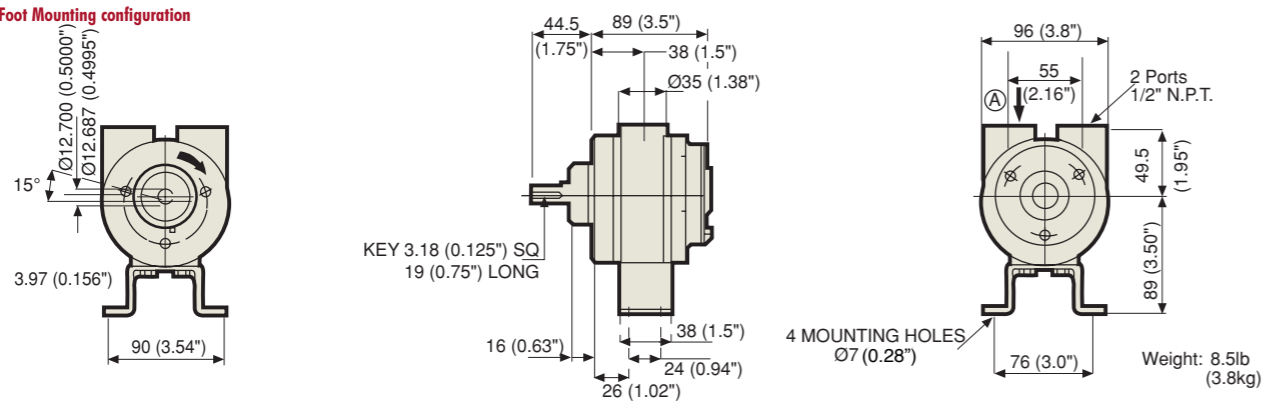
-40° to +176° Fahrenheit. (-20° to +80°C)

DIMENSIONS V4

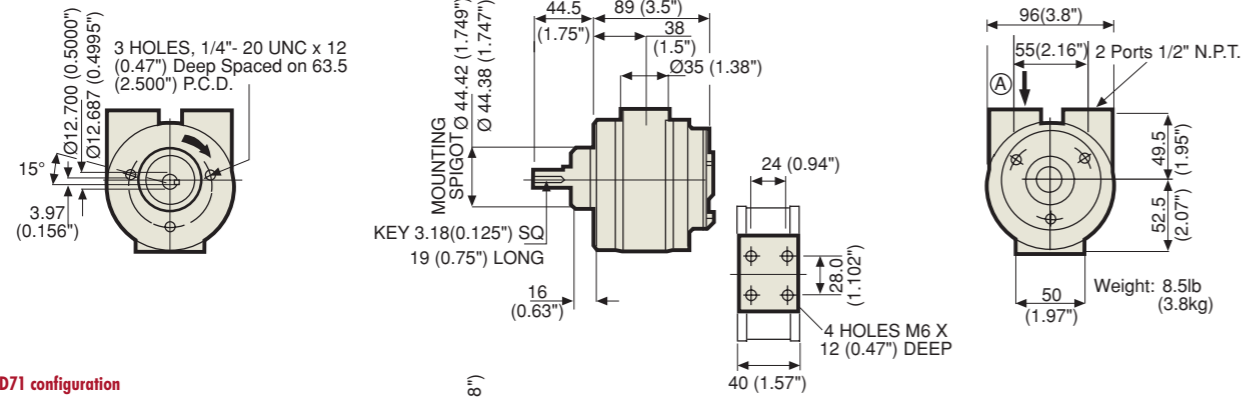
MODEL VA4C Nema 56C configuration



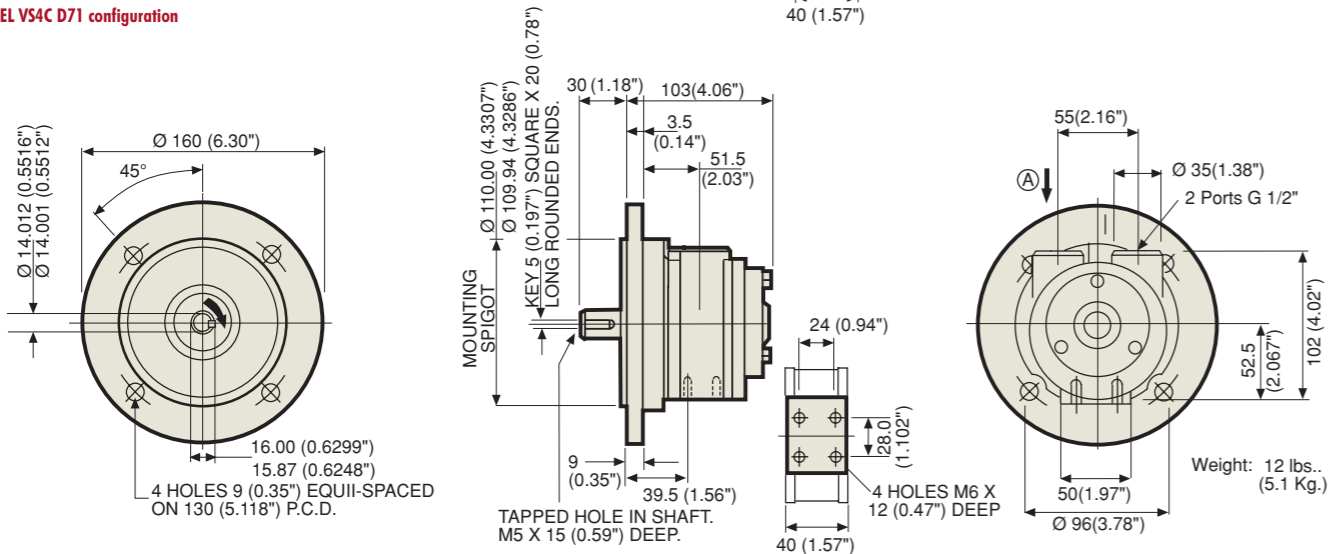
MODEL VA4J Foot Mounting configuration



MODEL VA4X Face Mounting configuration

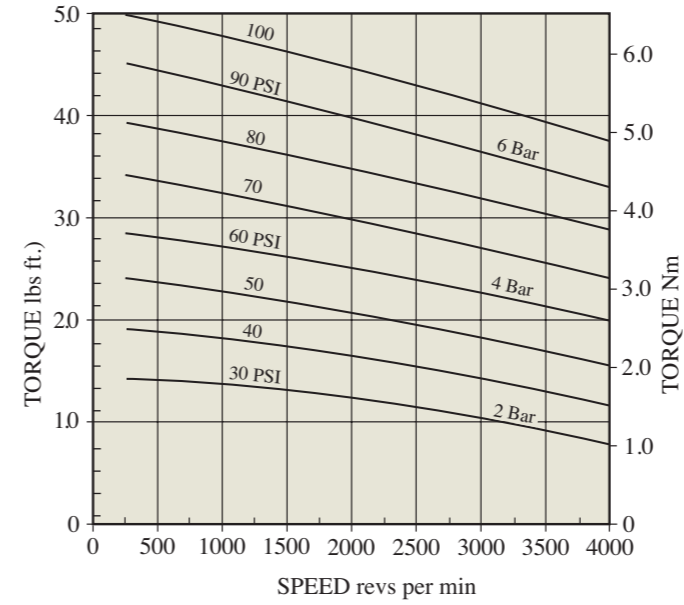


MODEL VS4C D71 configuration

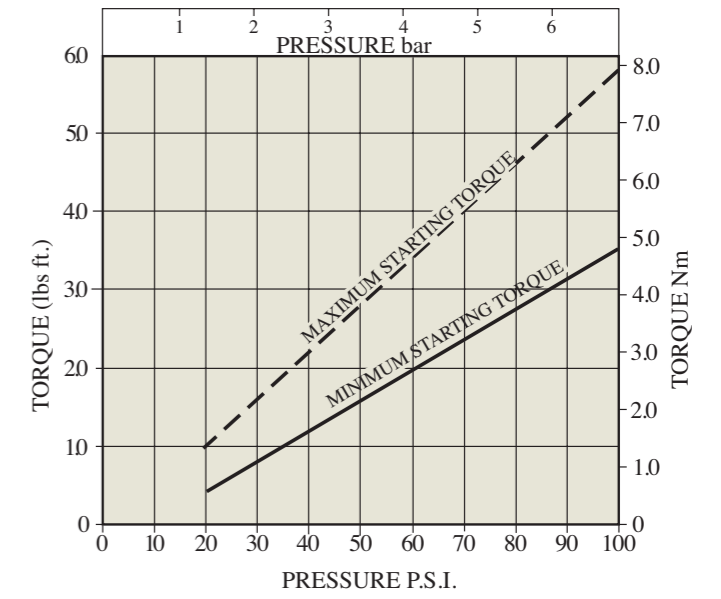


PERFORMANCE V4 | 2.8 HP/2.1 KW REVERSIBLE

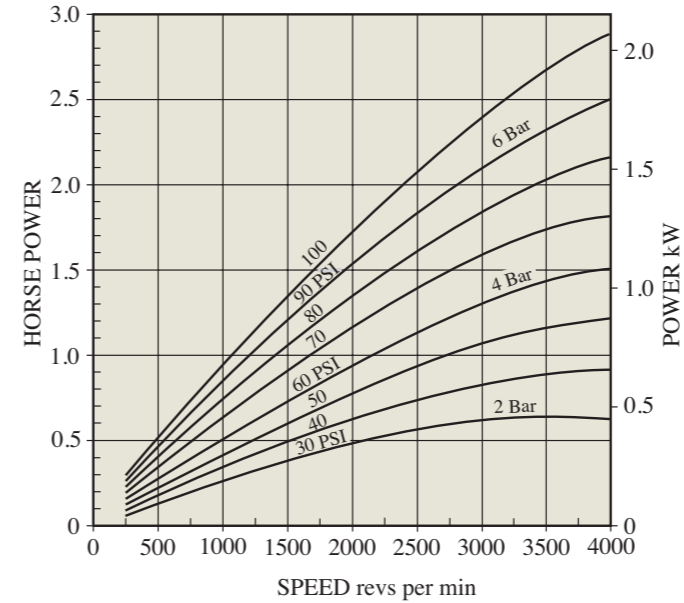
GRAPH 1 TORQUE - SPEED



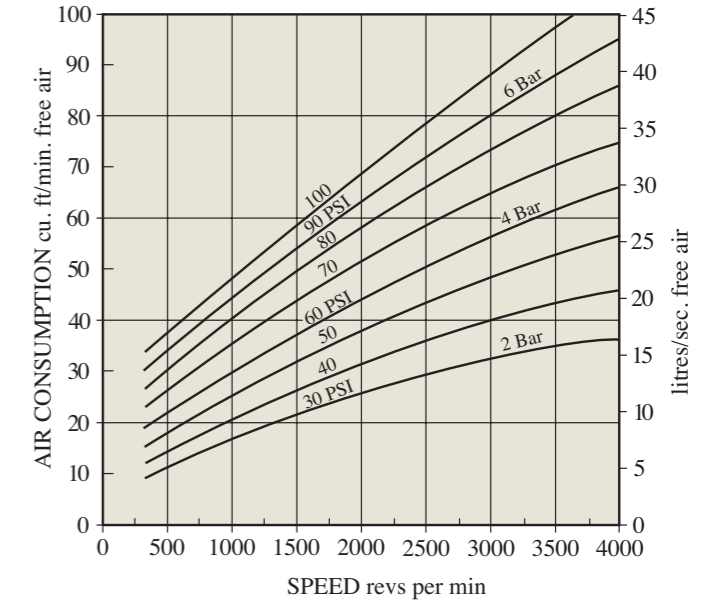
GRAPH 2 STARTING TORQUE - PRESSURE



GRAPH 3 POWER - SPEED



GRAPH 4 CONSUMPTION - SPEED



ATTITUDE:

The motor can be operated in all orientations.

AIRLINE FILTRATION AND LUBRICATION:

Use 64 micron filtration or better. Choose a lubricator suitable for the flow required. Prior to start up, inject oil into the inlet port.

LUBRICATOR DROP RATE:

4-5 drops per minute continuous operation.
9-12 drops per minute intermittent operation.

POLAR MOMENT OF INERTIA:

0.77 lb.ins² (0.226 g.m²).

MAXIMUM OVERHUNG FORCE ON SHAFT:

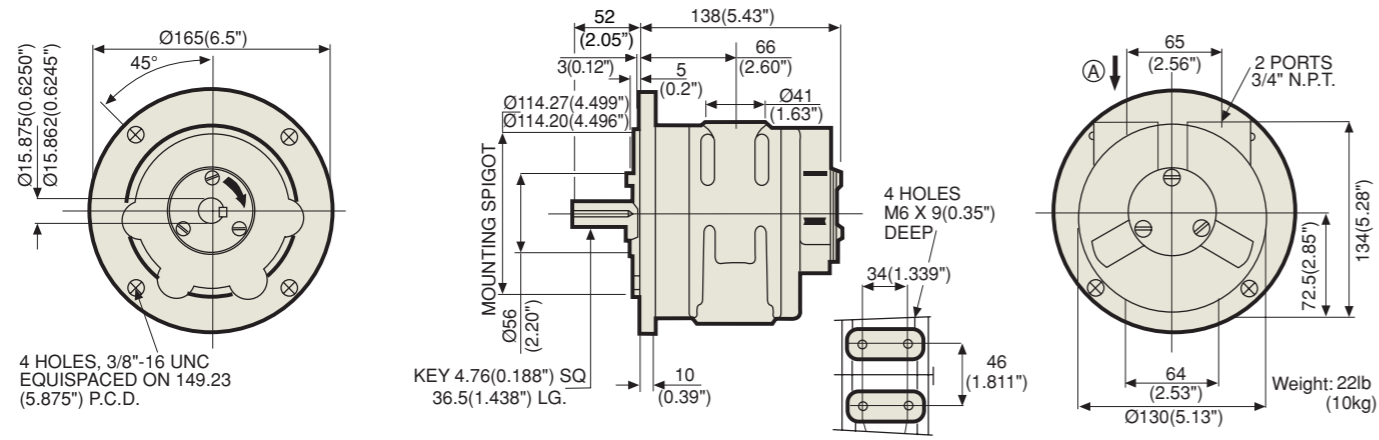
40 lbf (170N) In certain circumstances this may be extended. Consult your GLOBE Distributor. Axial loads should be kept down to a minimum.

MAXIMUM TEMPERATURES:

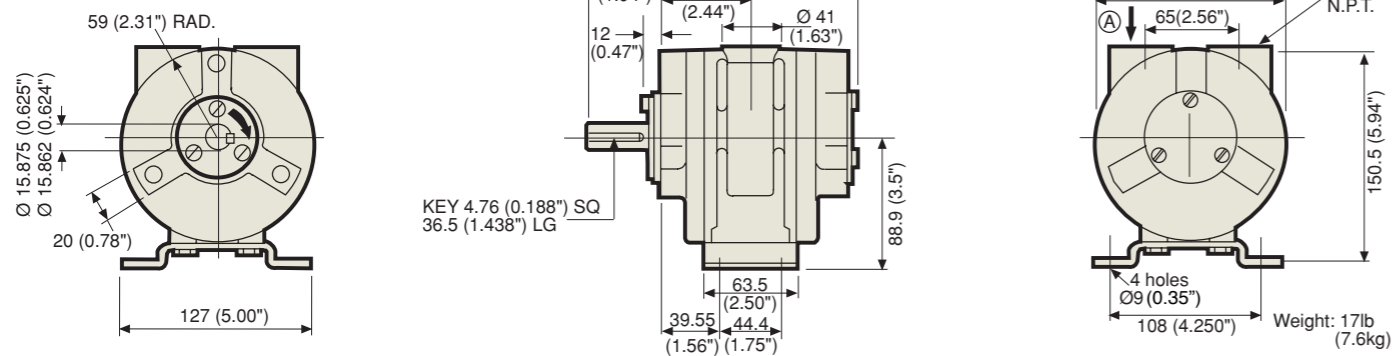
-40° to +176° Fahrenheit. (-20° to +80°C)

DIMENSIONS V6

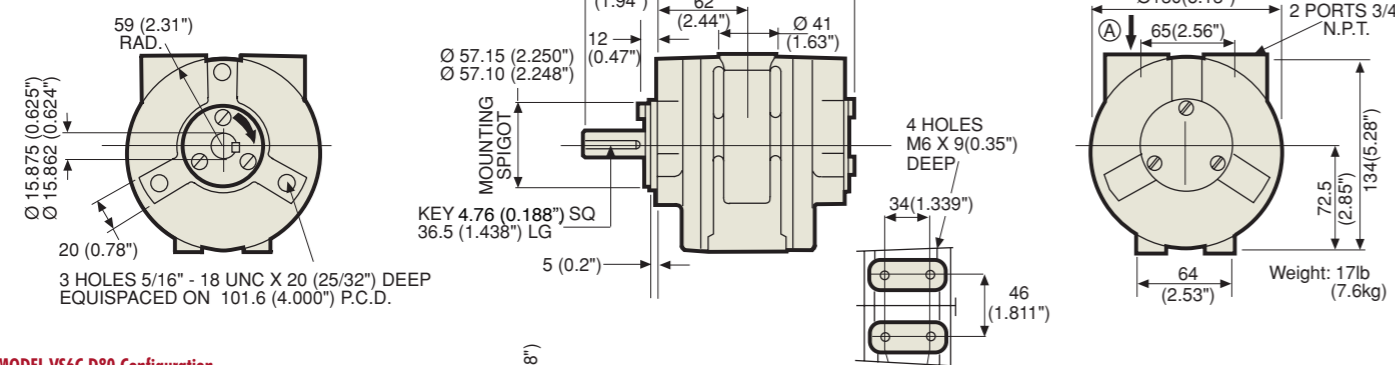
MODEL VA6C Nema 56C Configuration



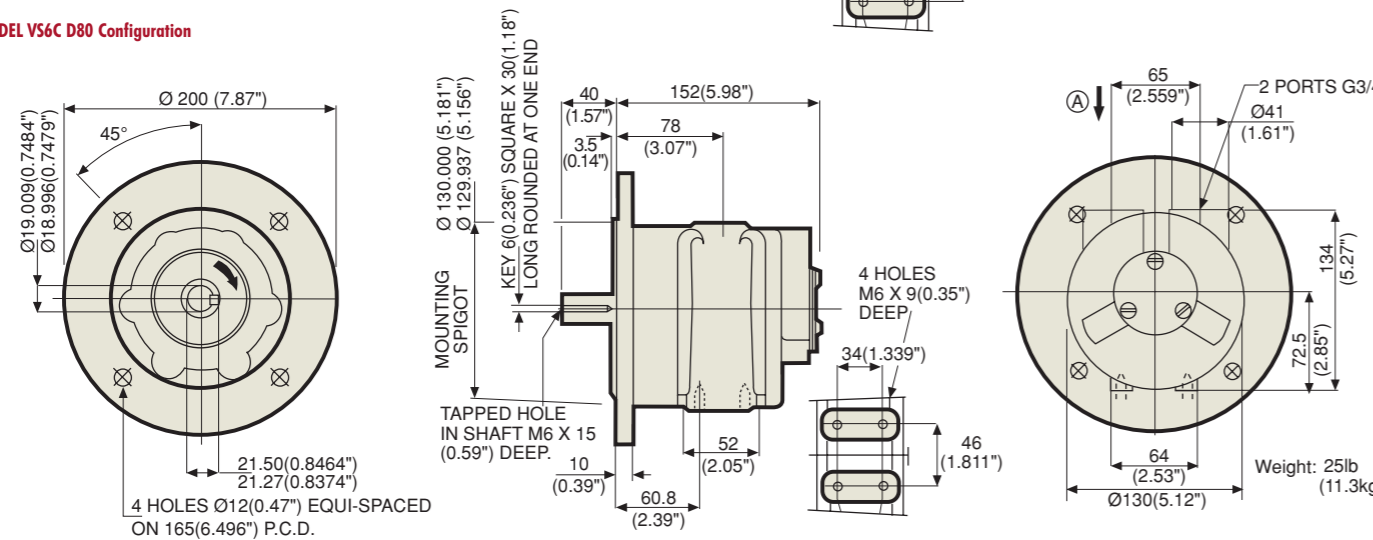
MODEL VA6J Foot Mounting Configuration



MODEL VA6X Face Mounting Configuration

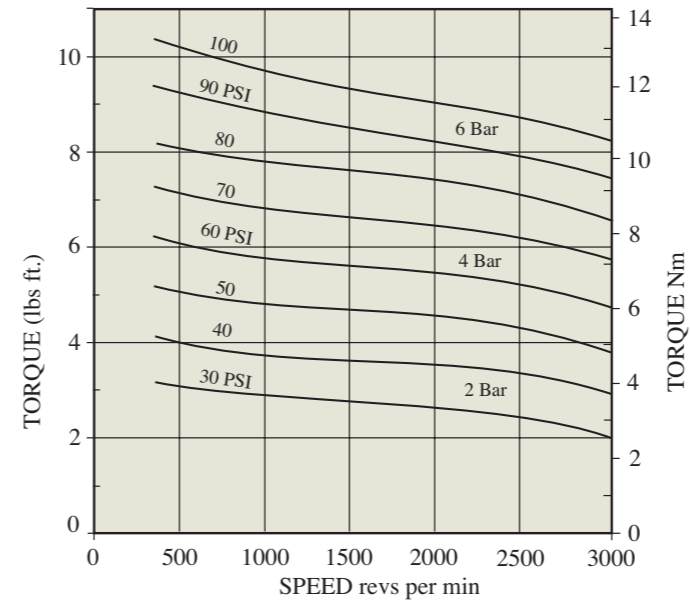


MODEL VS6C D80 Configuration

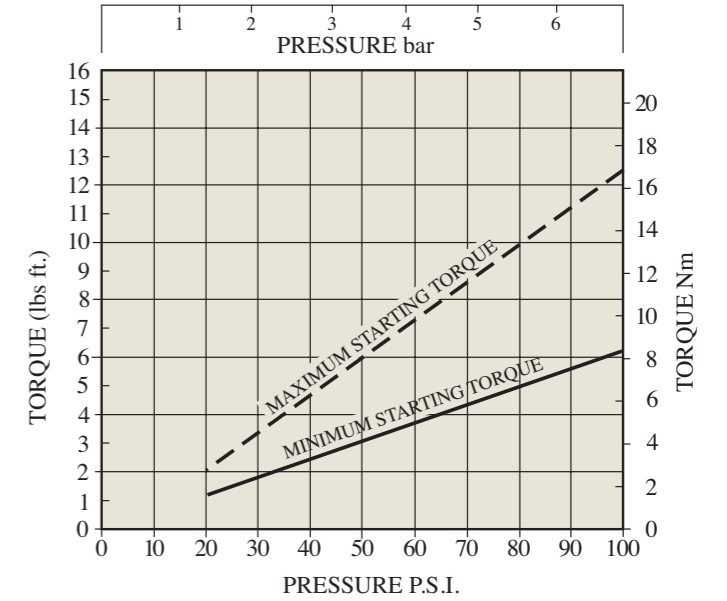


PERFORMANCE V6 | 4.6 HP / 3.4 KW REVERSIBLE

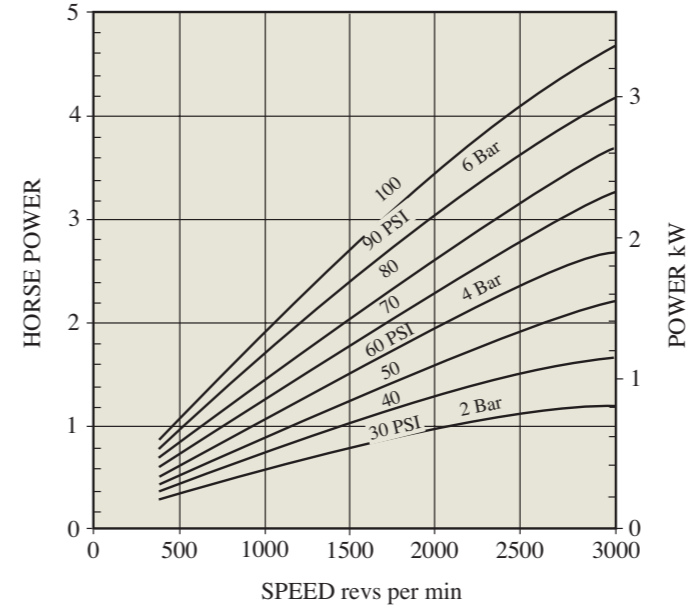
GRAPH 1 TORQUE - SPEED



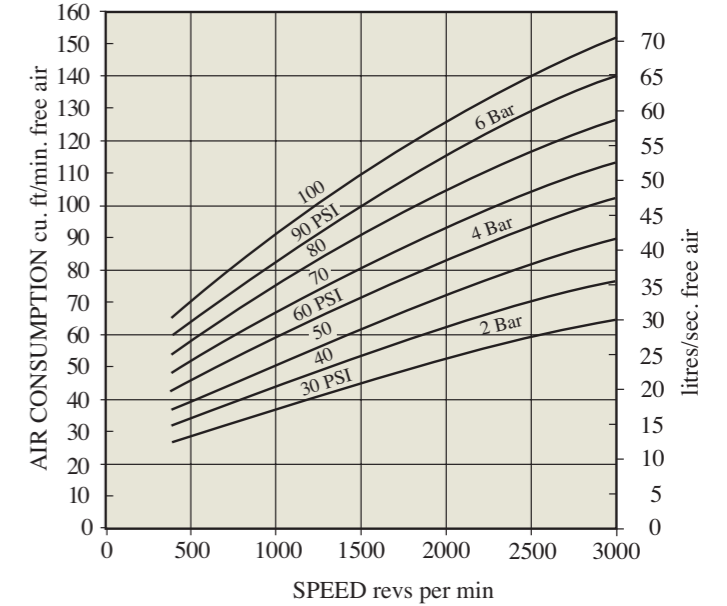
GRAPH 2 STARTING TORQUE - PRESSURE



GRAPH 3 POWER - SPEED



GRAPH 4 CONSUMPTION - SPEED



ATTITUDE:

The motor can be operated in all orientations.

AIRLINE FILTRATION AND LUBRICATION:

Use 64 micron filtration or better. Choose a lubricator suitable for the flow required. Prior to start up, inject oil into the inlet port.

LUBRICATOR DROP RATE:

5-6 drops per minute continuous operation.
10-12 drops per minute intermittent operation.

POLAR MOMENT OF INERTIA:

1.56 lb.ins² (0.45 g.m²).

MAXIMUM OVERHUNG FORCE ON SHAFT:

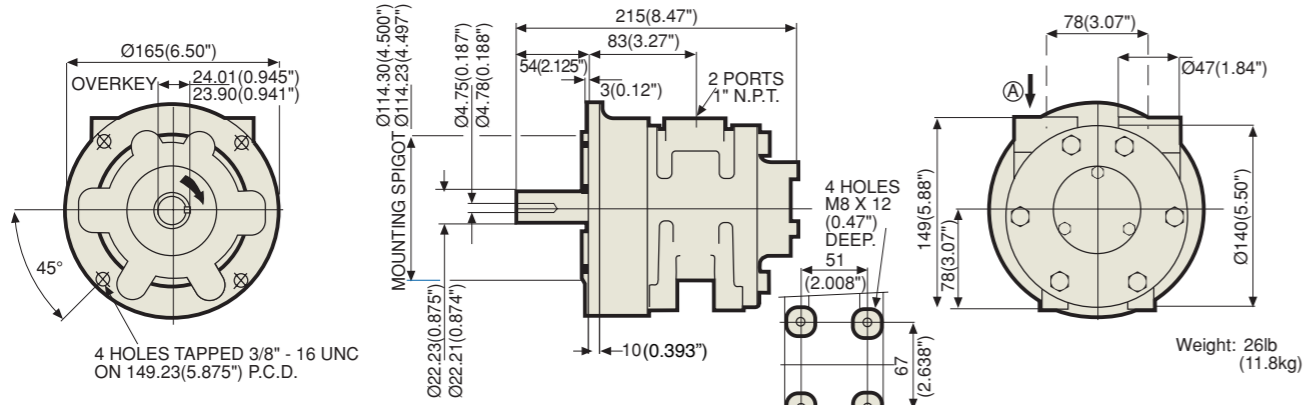
70 lbf (300N) In certain circumstances this may be extended. Consult your GLOBE Distributor. Axial loads should be kept down to a minimum.

MAXIMUM TEMPERATURES:

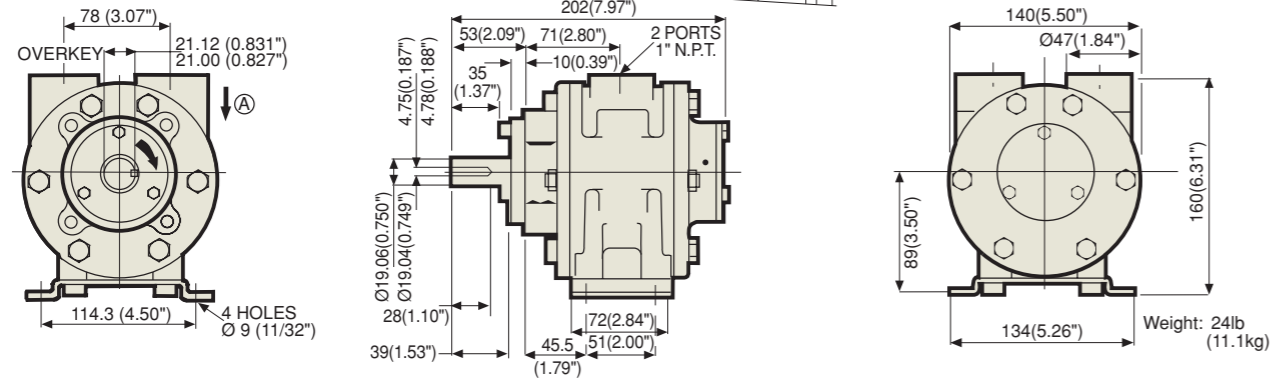
-40° to +176° Fahrenheit. (-20° to +80° C)

DIMENSIONS V8

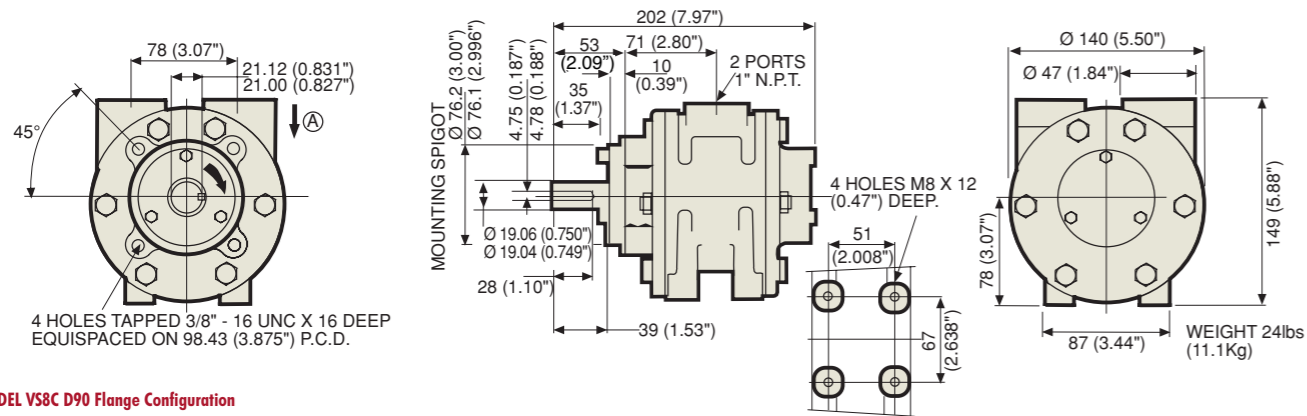
MODEL VA8C I45 TC Configuration



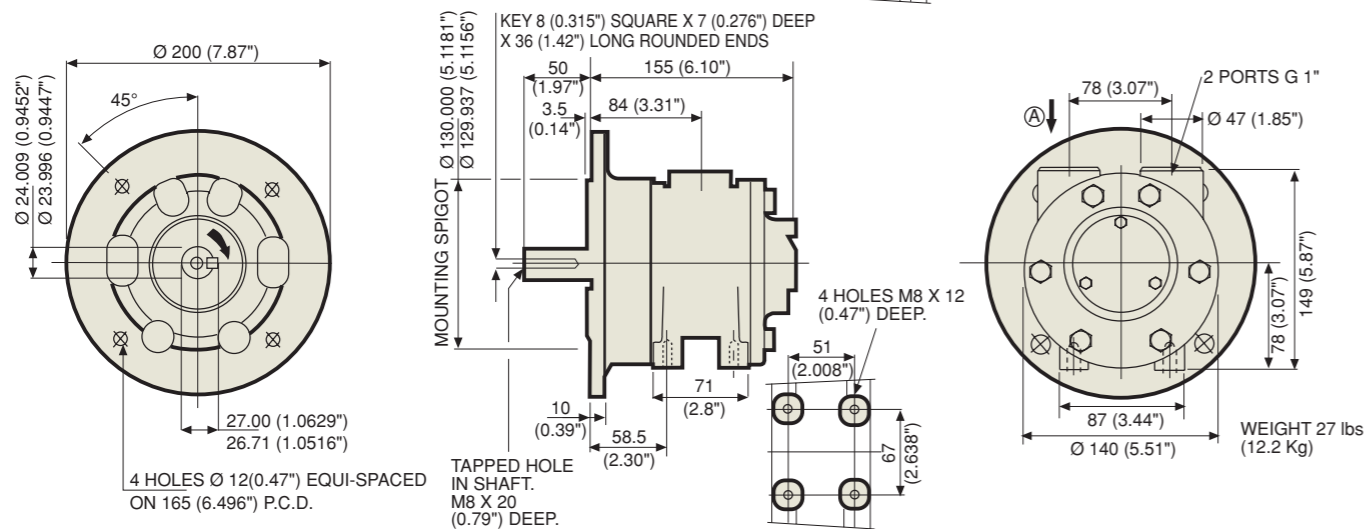
MODEL VA8J Foot Mounting Configuration



MODEL VA8X Face Mounting Configuration

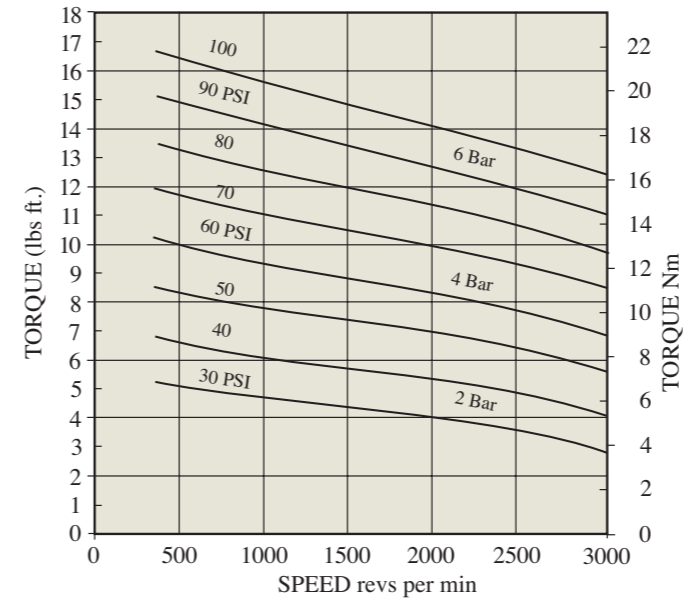


MODEL VS8C D90 Flange Configuration

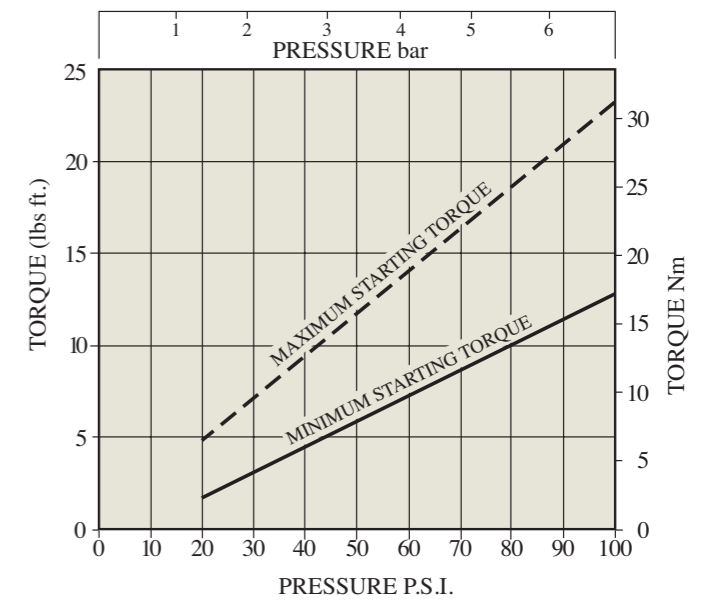


PERFORMANCE V8 | 7.2 HP/5.4 KW REVERSIBLE

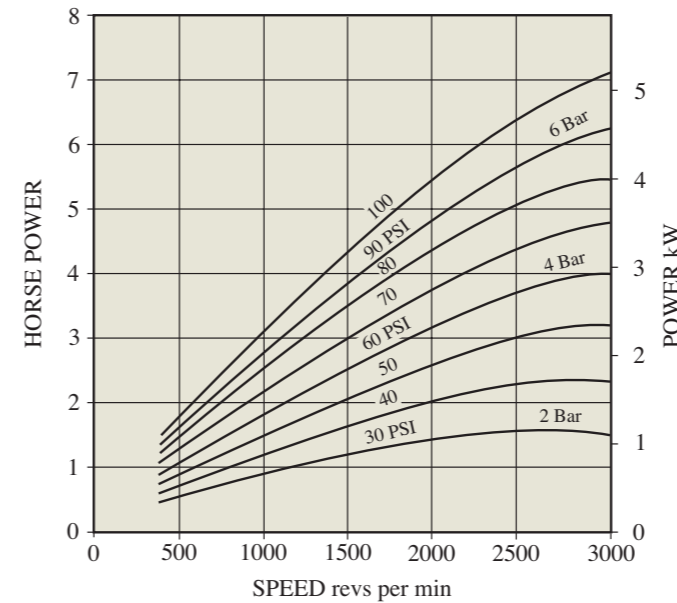
GRAPH 1 TORQUE - SPEED



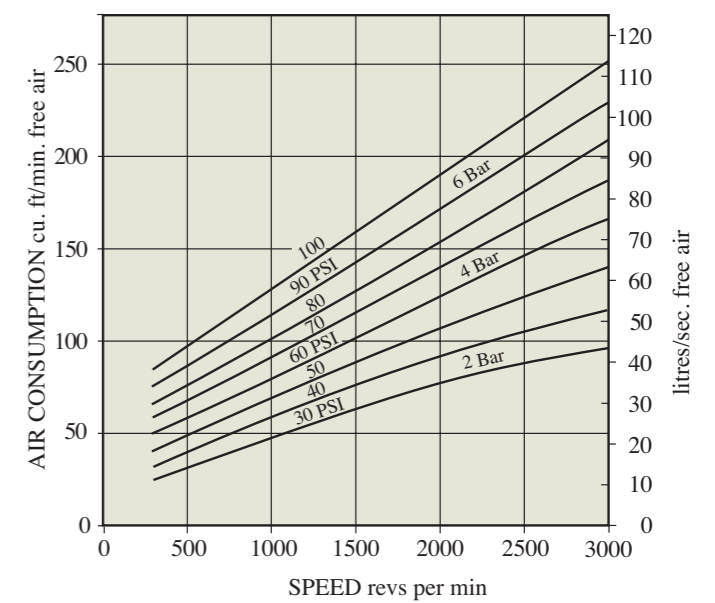
GRAPH 2 STARTING TORQUE - PRESSURE



GRAPH 3 POWER - SPEED



GRAPH 4 CONSUMPTION - SPEED



ATTITUDE:

The motor can be operated in all orientations.

AIRLINE FILTRATION AND LUBRICATION:

Use 64 micron filtration or better. Choose a lubricator suitable for the flow required. Prior to start up, inject oil into the inlet port.

LUBRICATOR DROP RATE:

6-7 drops per minute continuous operation.
12-15 drops per minute intermittent operation.

POLAR MOMENT OF INERTIA:

3.5 lb.ins² (1.02 g.m²).

MAXIMUM OVERHUNG FORCE ON SHAFT:

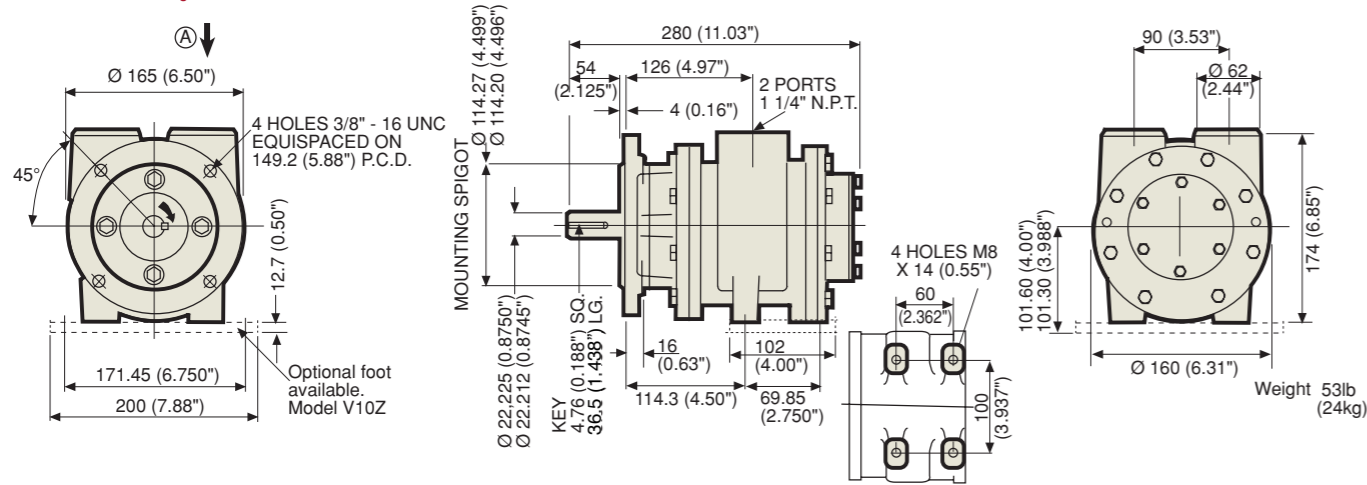
140 lbf (620N) In certain circumstances this may be extended. Consult your GLOBE Distributor. Axial loads should be kept down to a minimum.

MAXIMUM TEMPERATURES:

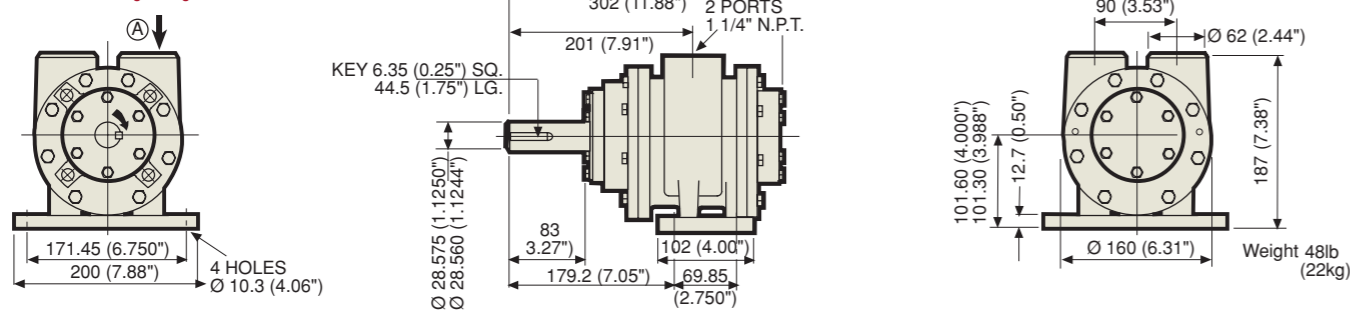
-40° to +176° Fahrenheit. (-20° to +80° C)

DIMENSIONS V10

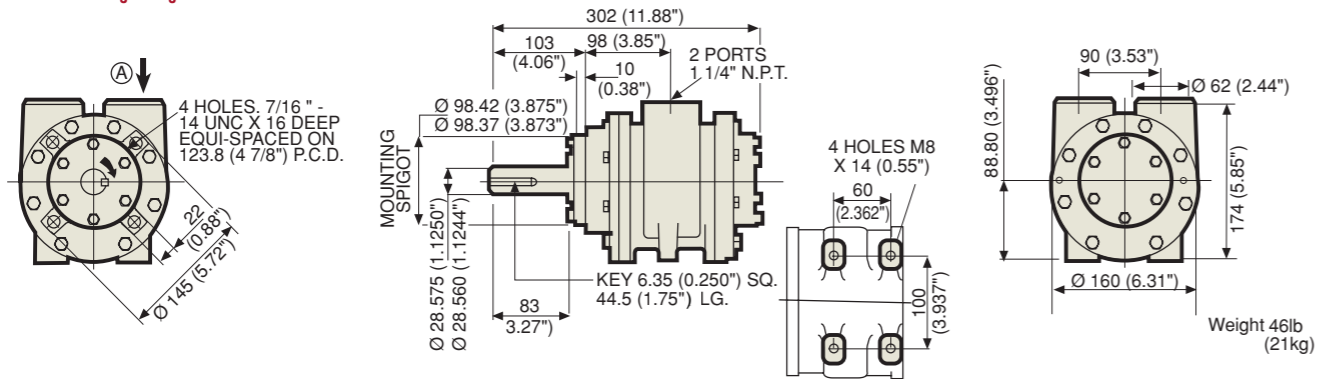
MODEL VA10C 145 TC Configuration



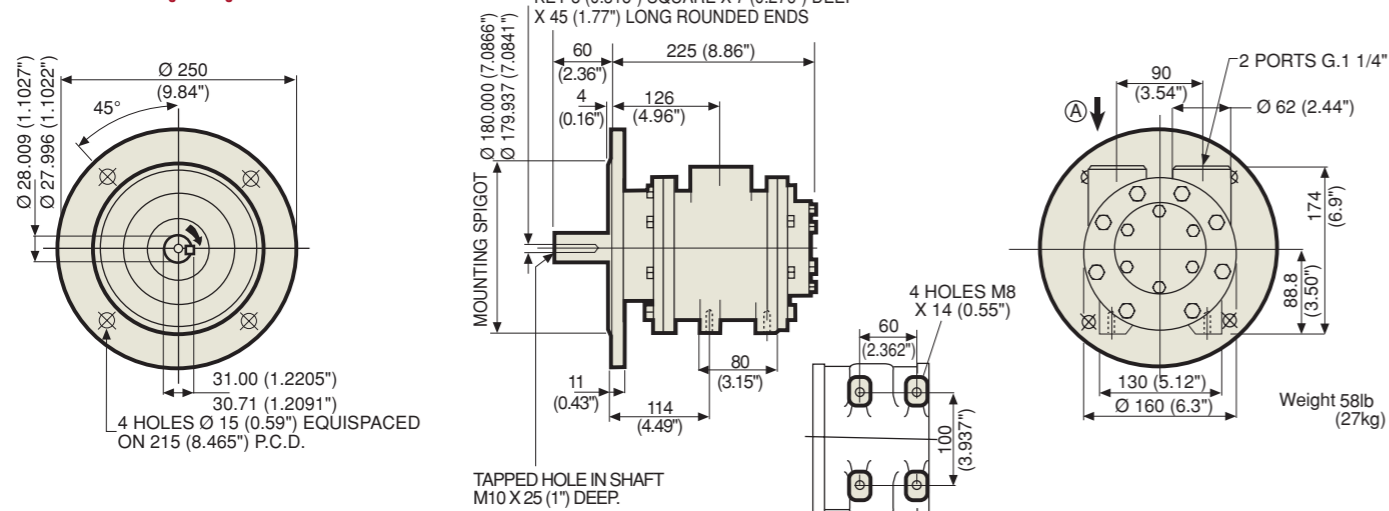
MODEL VA10J Foot Mounting Configuration



MODEL VA10X Face Mounting Configuration

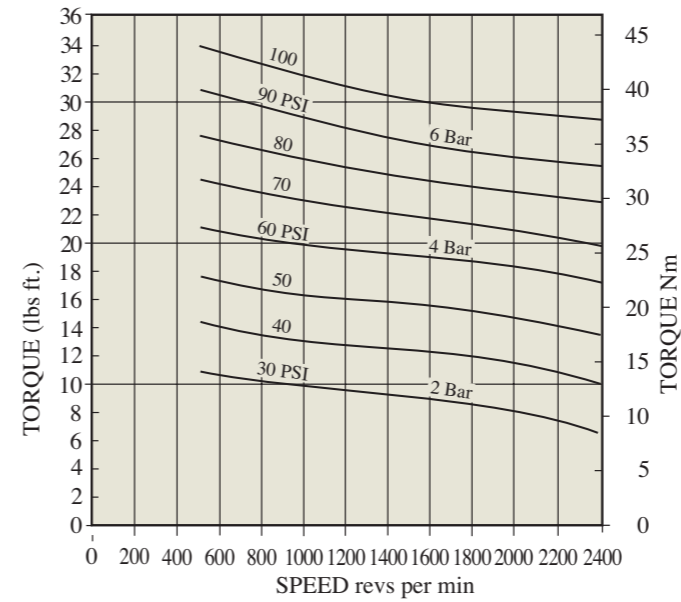


MODEL VS10C D100 Flange Configuration

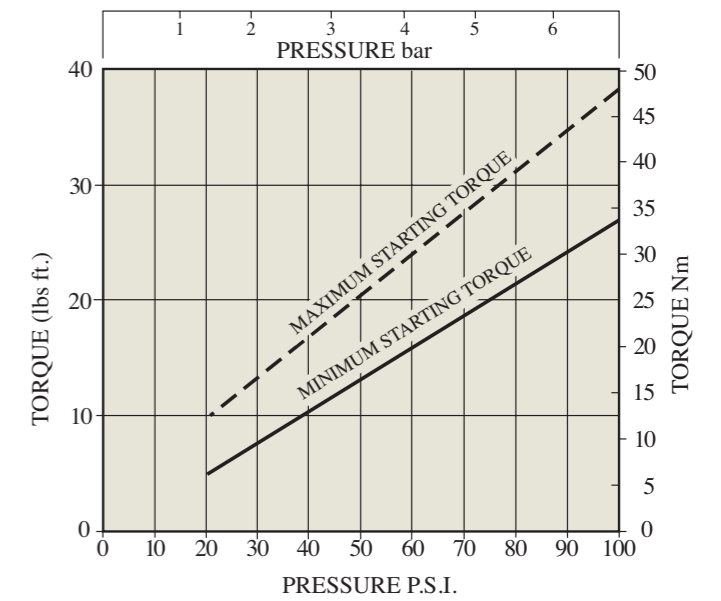


PERFORMANCE V10 | 12.8 HP/9.5 KW REVERSIBLE

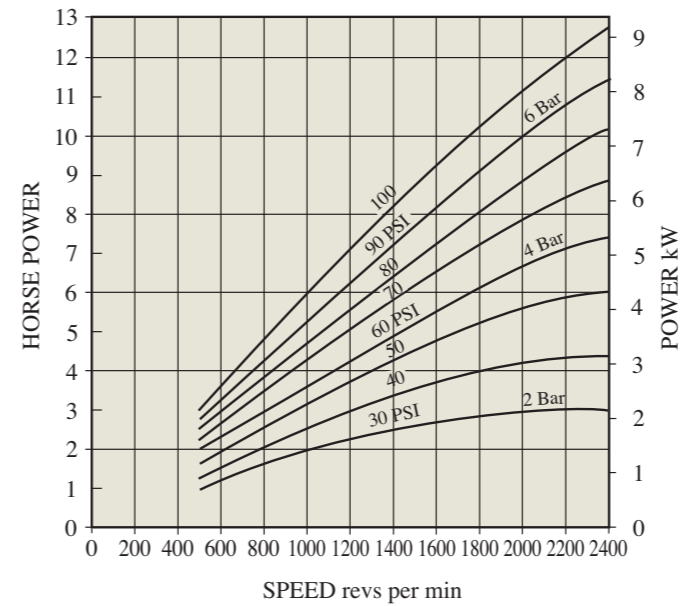
GRAPH 1 TORQUE - SPEED



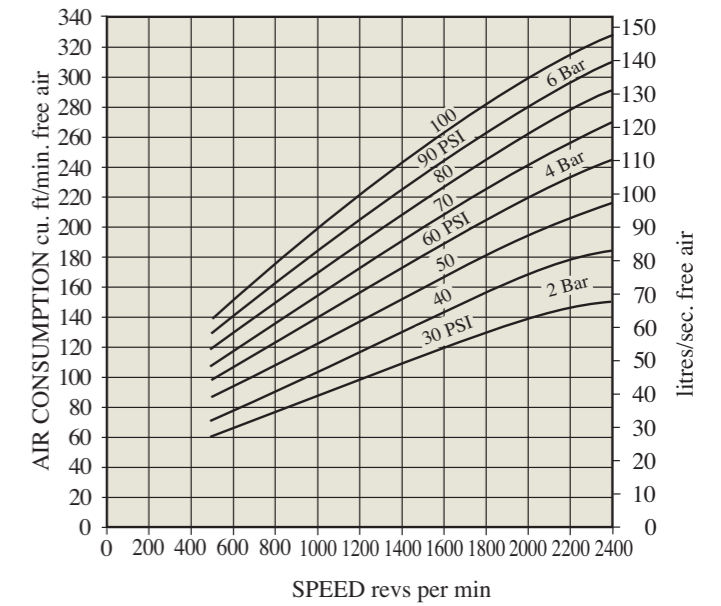
GRAPH 2 STARTING TORQUE - PRESSURE



GRAPH 3 POWER - SPEED



GRAPH 4 CONSUMPTION - SPEED



ATTITUDE:

The motor can be operated in all orientations.

AIRLINE FILTRATION AND LUBRICATION:

Use 64 micron filtration or better. Choose a lubricator suitable for the flow required. Prior to start up, inject oil into the inlet port.

LUBRICATOR DROP RATE:

8-10 drops per minute continuous operation.
14-16 drops per minute intermittent operation.

POLAR MOMENT OF INERTIA:

30 lb.in² (8.8 g.m²).

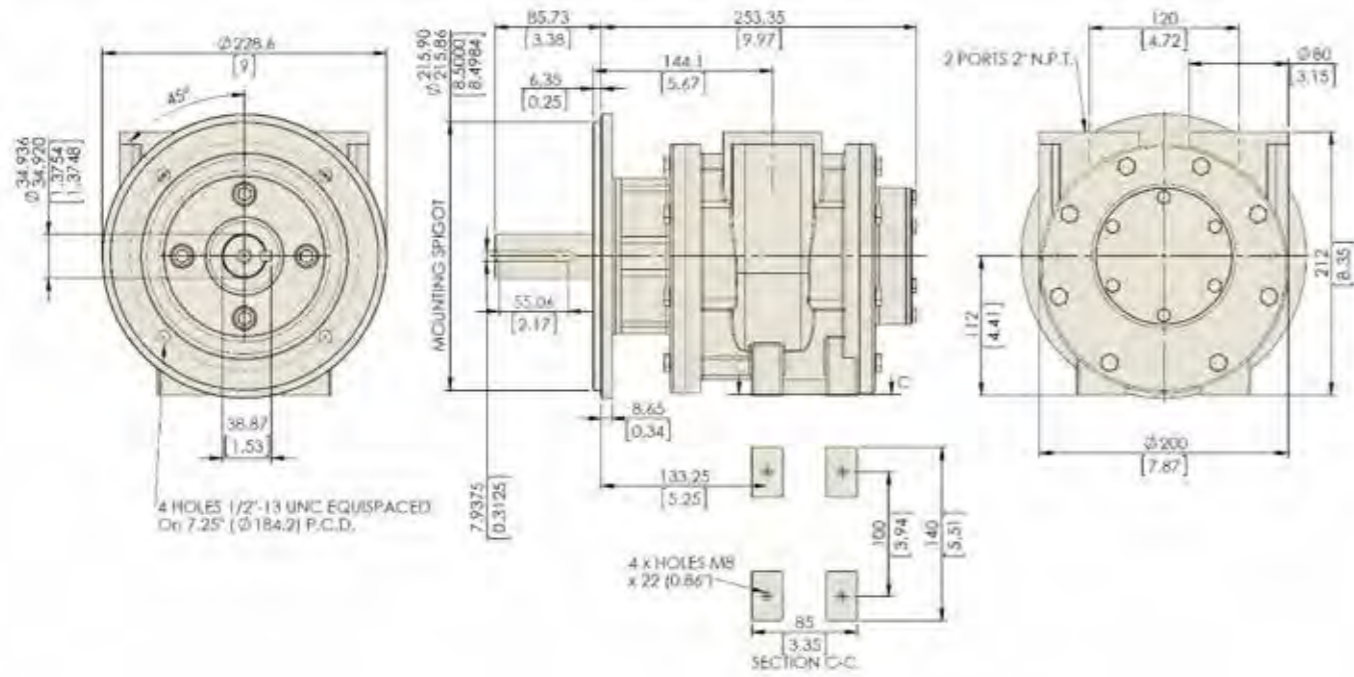
MAXIMUM OVERHUNG FORCE ON SHAFT:

400 lbf (1750N) In certain circumstances this may be extended. Consult your GLOBE Distributor. Axial loads should be kept down to a minimum.

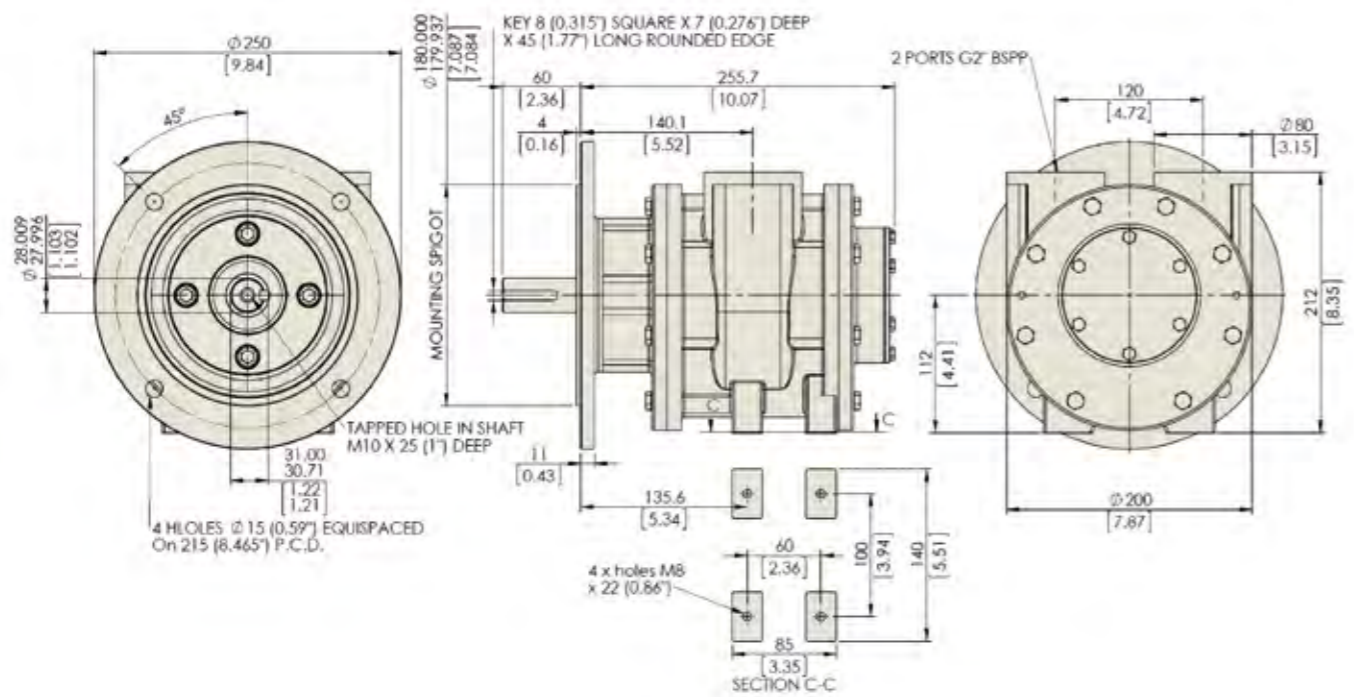
MAXIMUM TEMPERATURES:

-40° to +176° Fahrenheit. (-20° to +80° C)

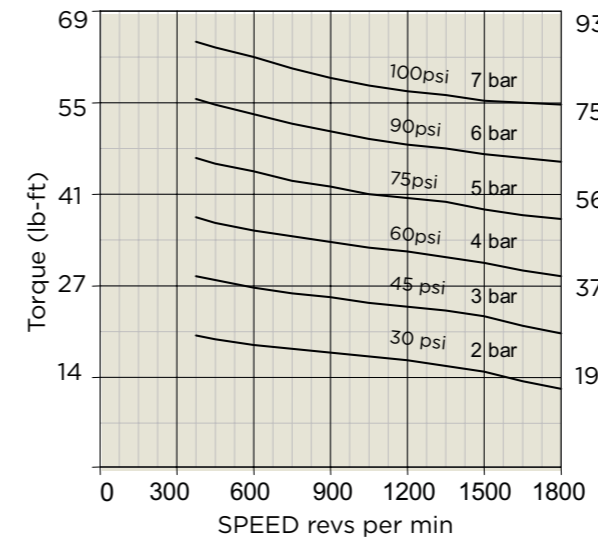
MODEL VA12C Nema 215T Configuration



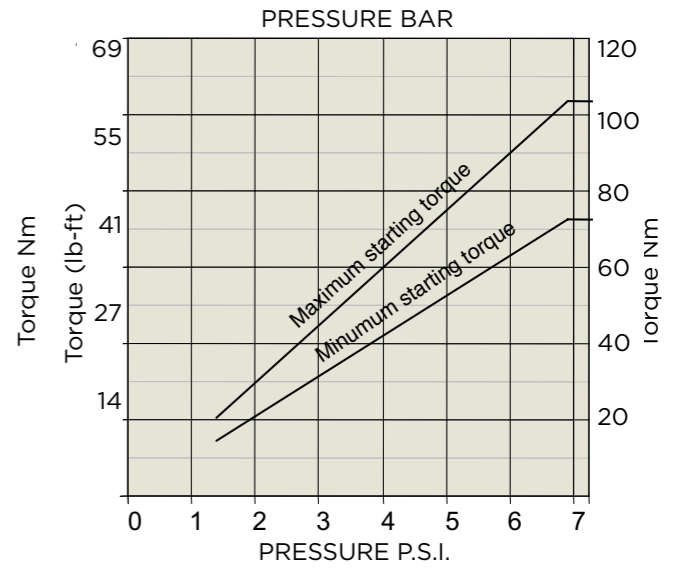
MODEL VS12C D100 Flange Configuration



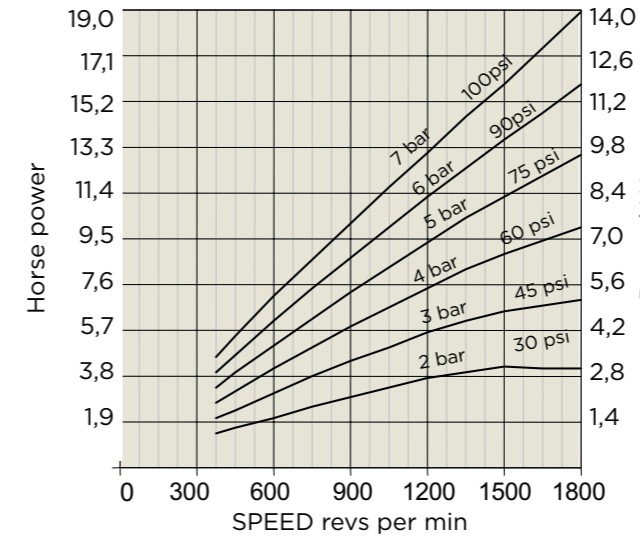
TORQUE - SPEED



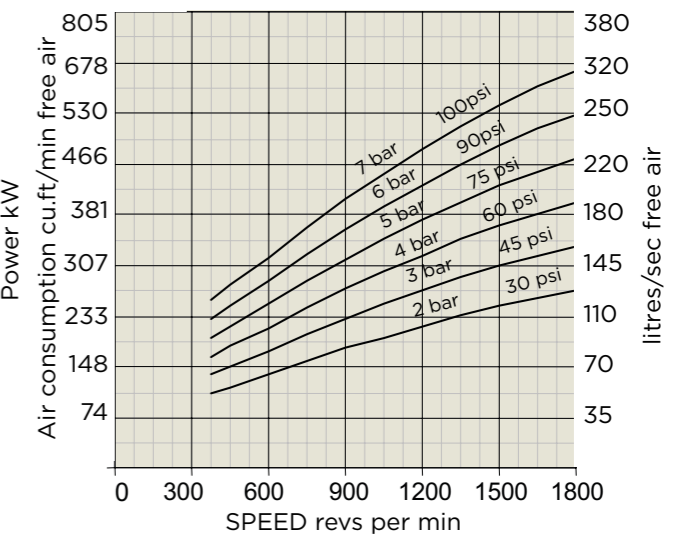
TORQUE - PRESSURE



POWER - SPEED



AIR CONSUMPTION - SPEED



ATTITUDE:

The motor can be operated in all orientations.

AIRLINE FILTRATION AND LUBRICATION:

Use 64 micron filtration or better. Choose a lubricator suitable for the flow required. Prior to start up, inject oil into the inlet port.

LUBRICATOR DROP RATE:

12-14 drops per minute continuous operation.
18-20 drops per minute intermittent operation.

POLAR MOMENT OF INERTIA:

30 lb.in² (8.8 g.m²).

MAXIMUM OVERHUNG FORCE ON SHAFT:

400 lbf (1750N) In certain circumstances this may be extended. Consult your GLOBE Distributor. Axial loads should be kept down to a minimum.

MAXIMUM TEMPERATURES:

-40° to +176° Fahrenheit. (-20° to +80°C)



NON LUBRICATED VANE AIR MOTORS

ADVANTAGES

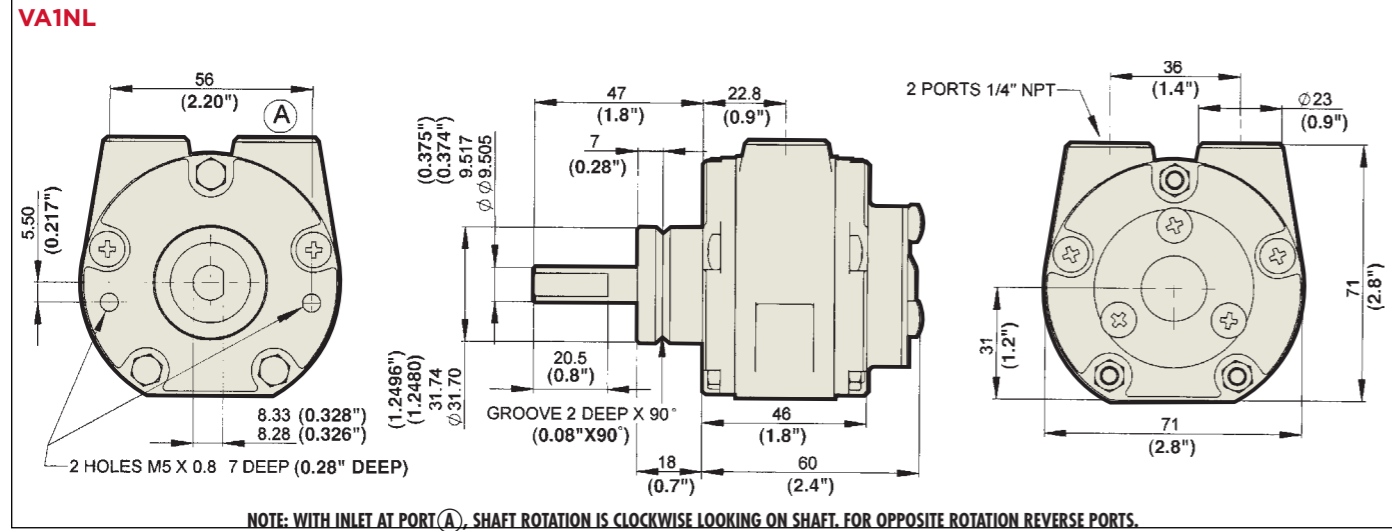
GLOBE Airmotors BV has a special range of air motors that do not require lubrication. The advantages of these motors are:

- No lubricator necessary – save on installation costs
- No inspection of the lubricator oil level is necessary – save on annual running costs
- No oil-contaminated air from the exhaust – protects products and workforce
- Same standard interfaces as the regular GLOBE vane air motors.

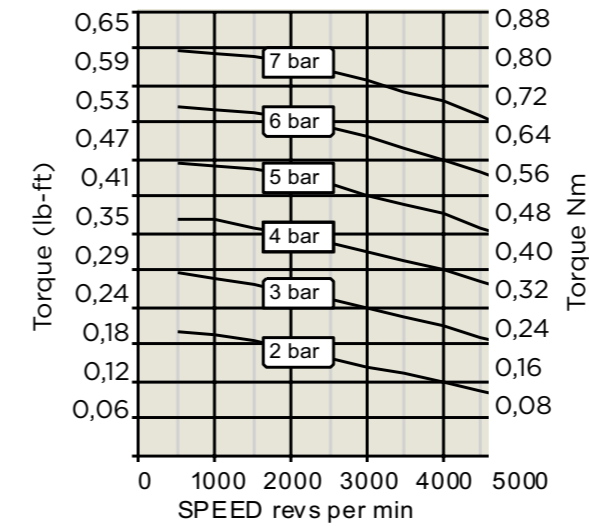
All the GLOBE vane air motors can run without lubrication under certain operation conditions. For dry running blades, a filtration to a minimum of 25 microns is recommended.

The maximum air pressure must not exceed 6 bar and the motor speed must not exceed the figures stated in the graphs belonging to the non lubricated motors. The maximum motor speed must never be exceeded when the motor is running off load. As prevention a flow restriction should be fitted on the outlet when the load can vary greatly.

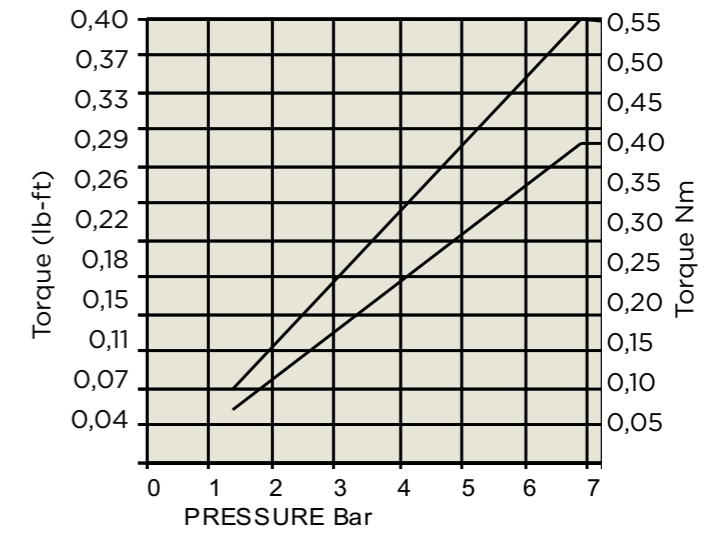
The vanes in non lubricated vane air motors have a shorter life expectancy compared to the standard versions. Maximum continuous speed is 25% less compared to the standard versions. Please consult GLOBE when using a non lubricated vane air motor.



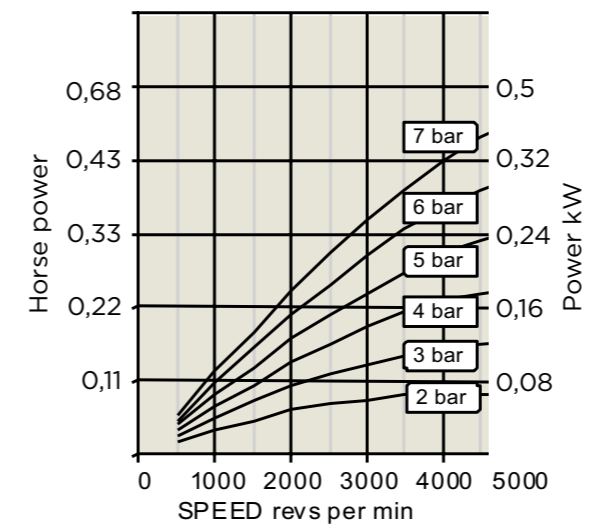
TORQUE - SPEED



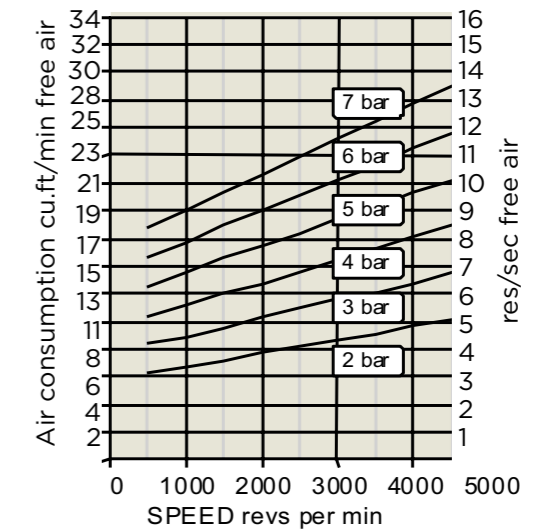
TORQUE - PRESSURE



POWER - SPEED



AIR CONSUMPTION - SPEED



Muffler supplied with motor.

Motor is reversible.

ATTITUDE

The motor can be operated in all positions.

MAXIMUM TEMPERATURE

-20°C to +60°C

(-4°F to +140°F).

AIRLINE FILTRATION

Use 64 micron filtration or better.

MAX. OVERHUNG FORCE ON MOTOR SHAFT

18 N (4.0 lbf.).

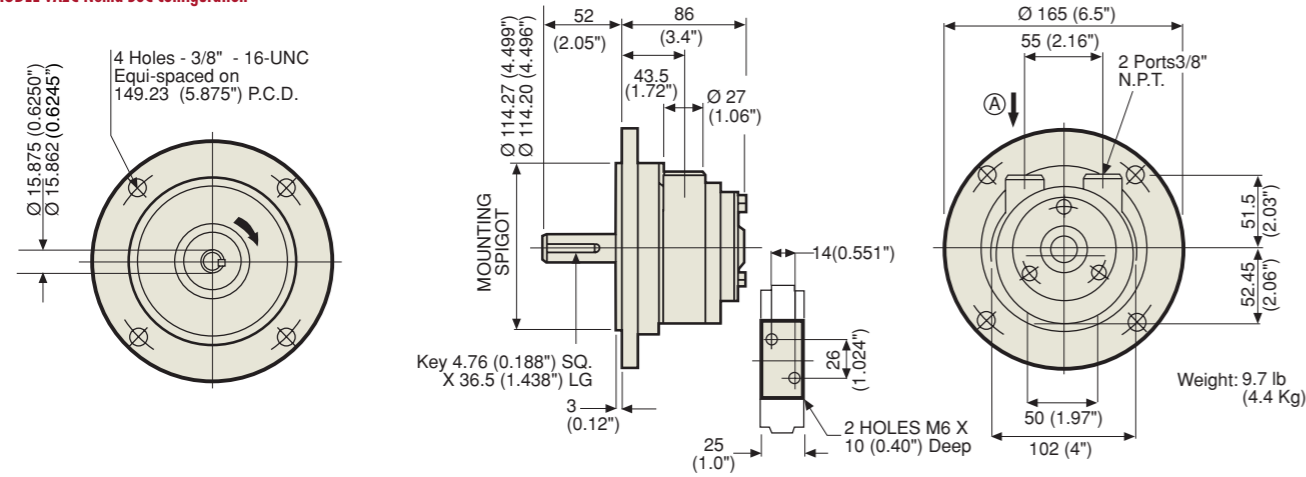
Axial loads should be kept to a minimum.

MAXIMUM SPEED 4500 RPM

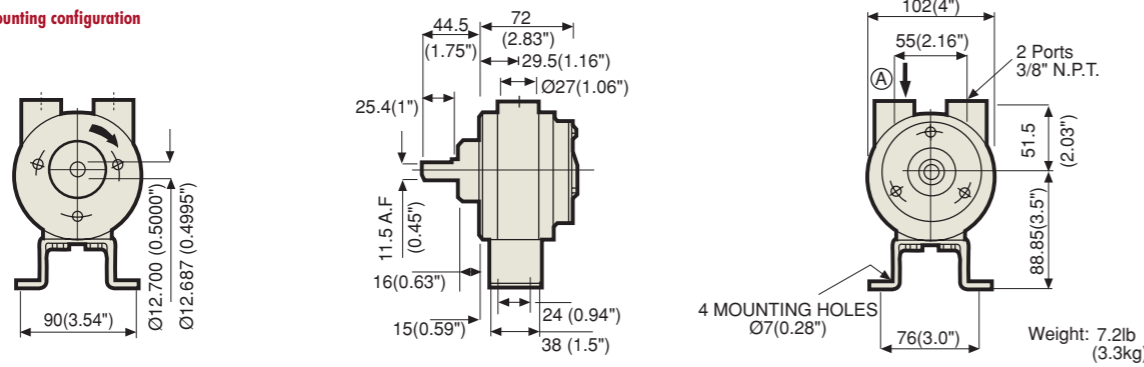
When operating above 50% of the maximum speed please consult your supplier.

DIMENSIONS V2-NL

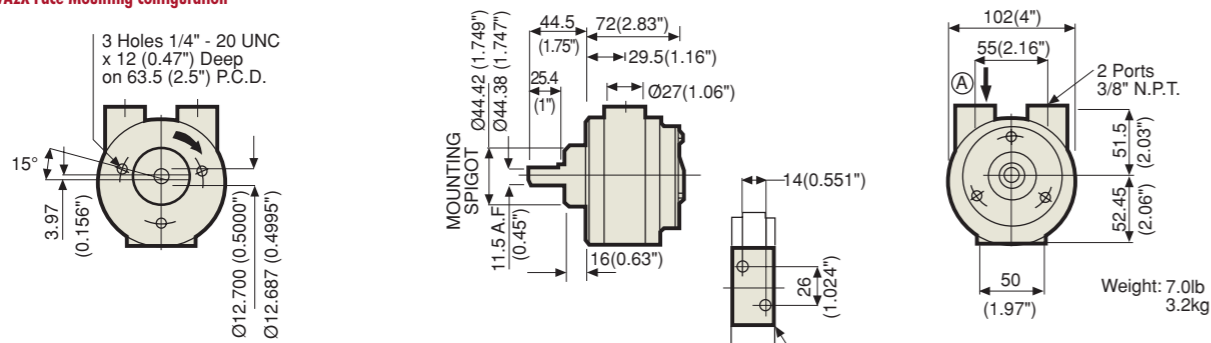
MODEL VA2C Nema 56C configuration



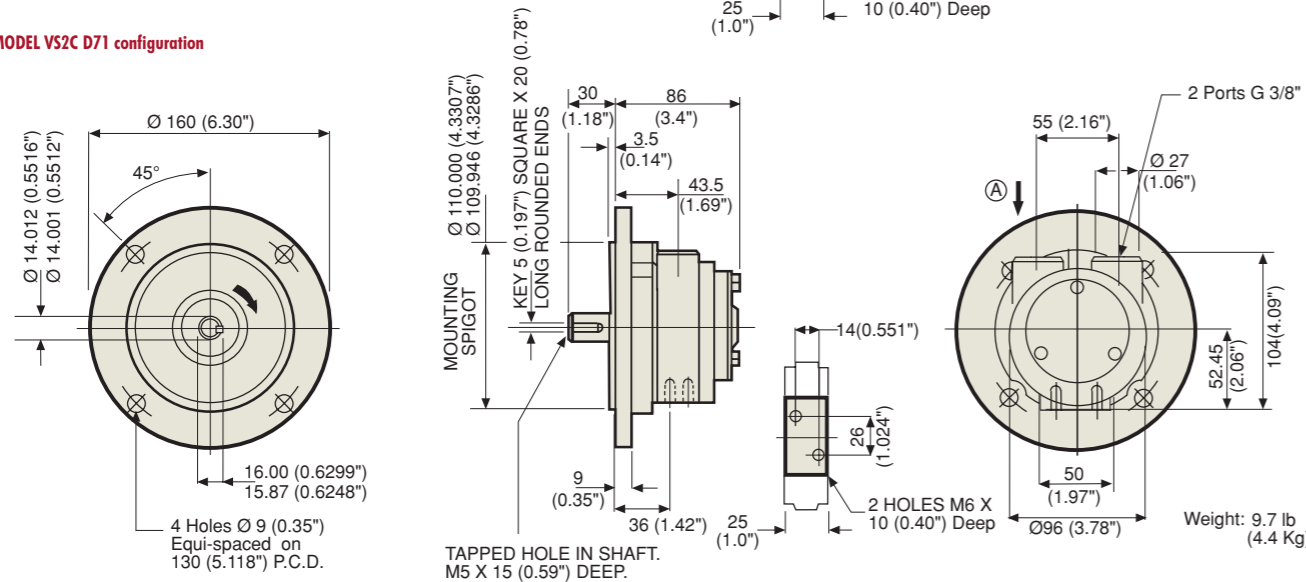
MODEL VA2J Foot Mounting configuration



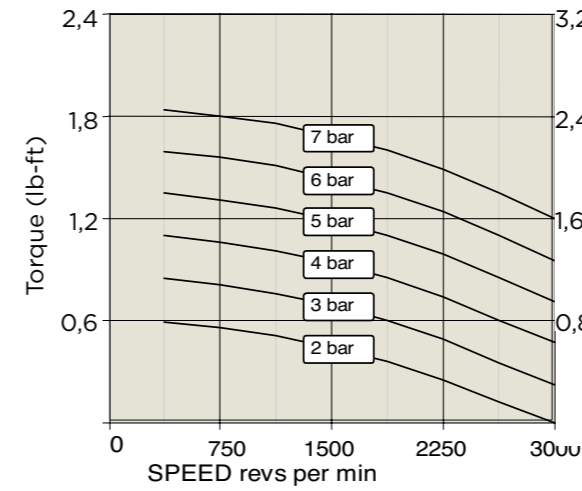
MODEL VA2X Face Mounting configuration



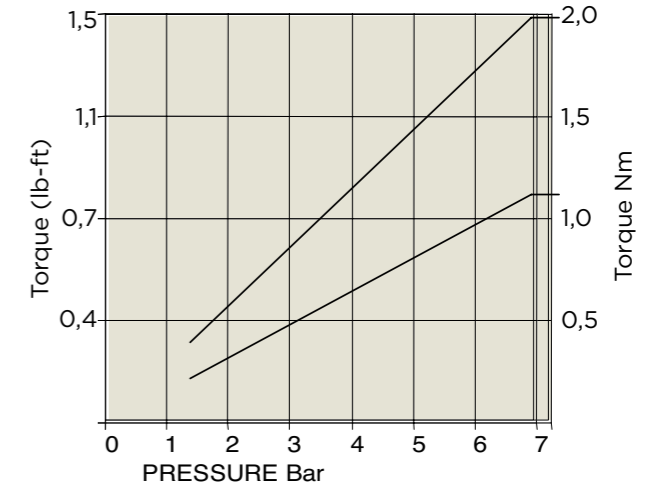
MODEL VS2C D71 configuration



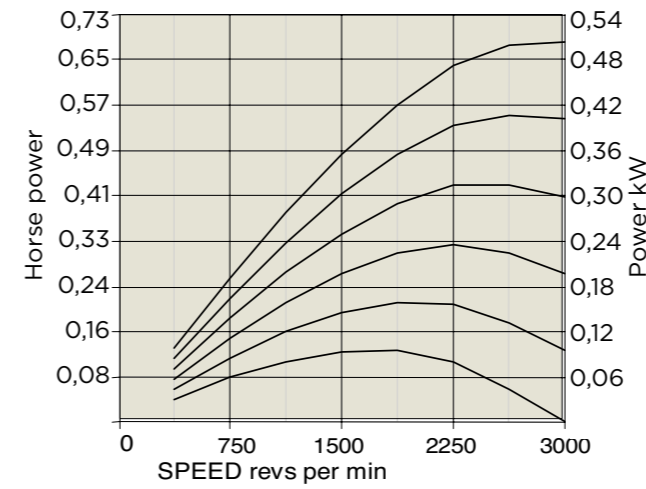
TORQUE - SPEED



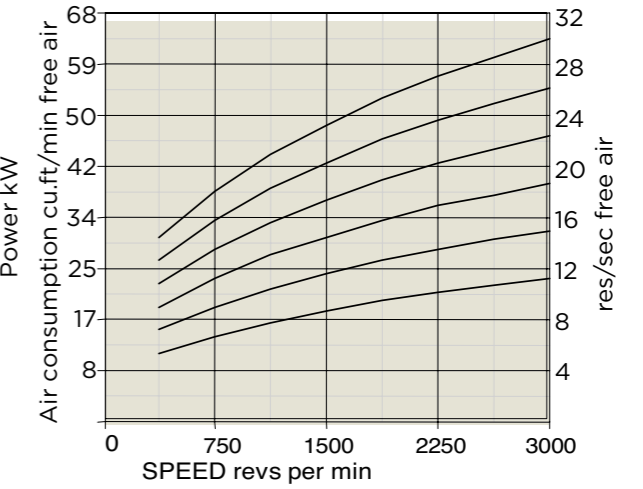
TORQUE - PRESSURE



POWER - SPEED



AIR CONSUMPTION - SPEED



Muffler supplied with motor.

Motor is reversible.

ATTITUDE

The motor can be operated in all positions.

MAXIMUM TEMPERATURE

-20°C to +60°C

(-4°F to +140°F).

AIRLINE FILTRATION

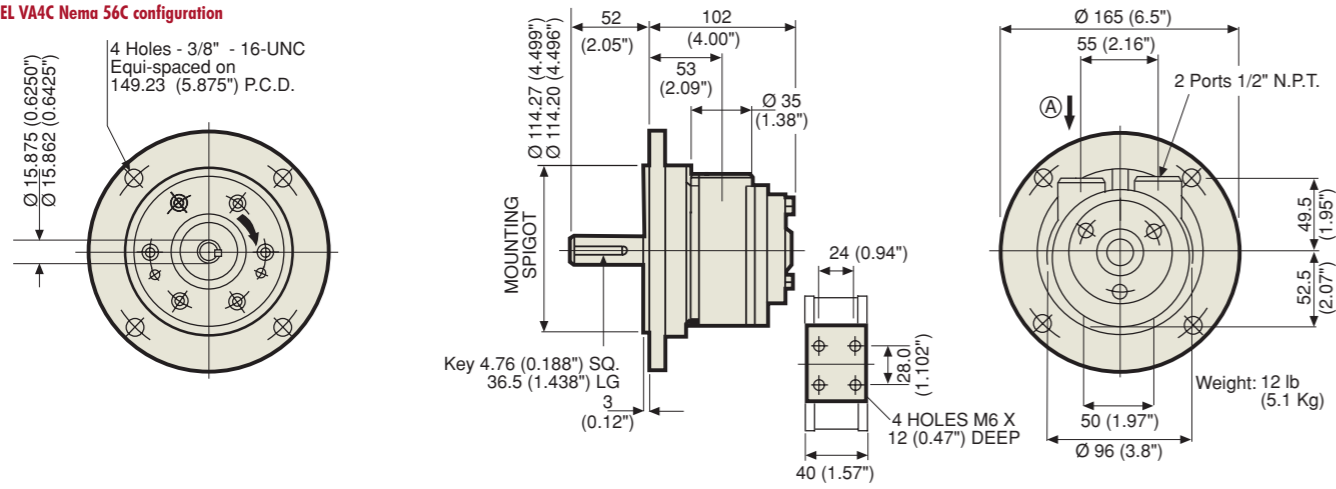
Use 64 micron filtration or better.

MAXIMUM SPEED 3000 RPM

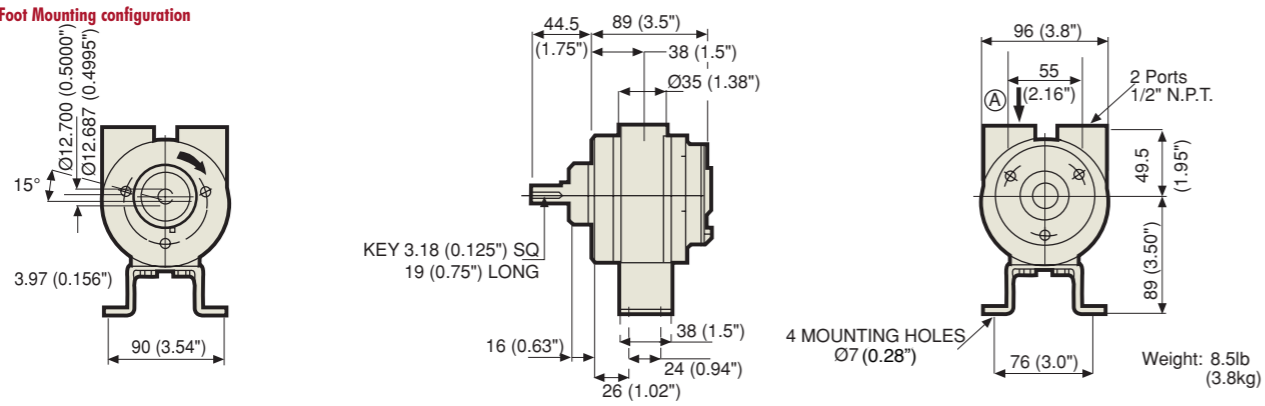
When operating above 50% of the maximum speed please consult your supplier.

DIMENSIONS V4-NL

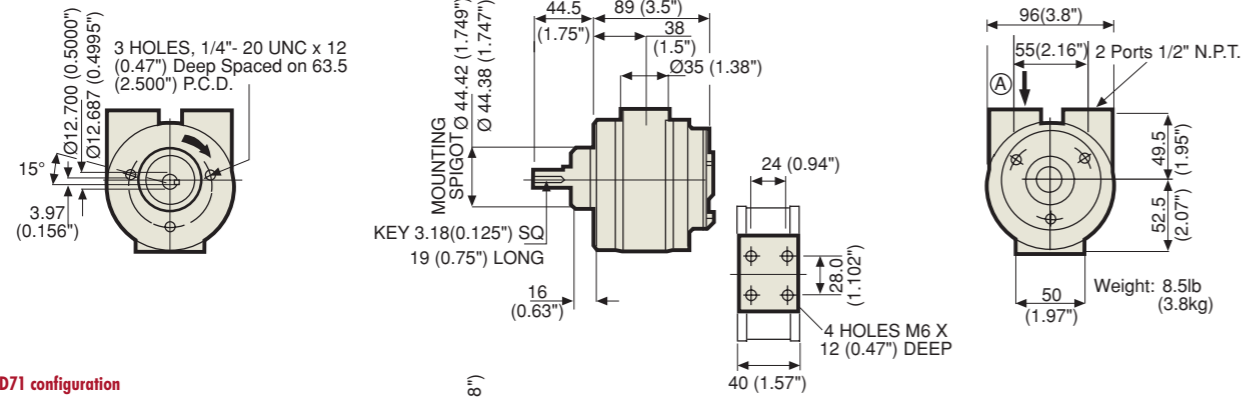
MODEL VA4C Nema 56C configuration



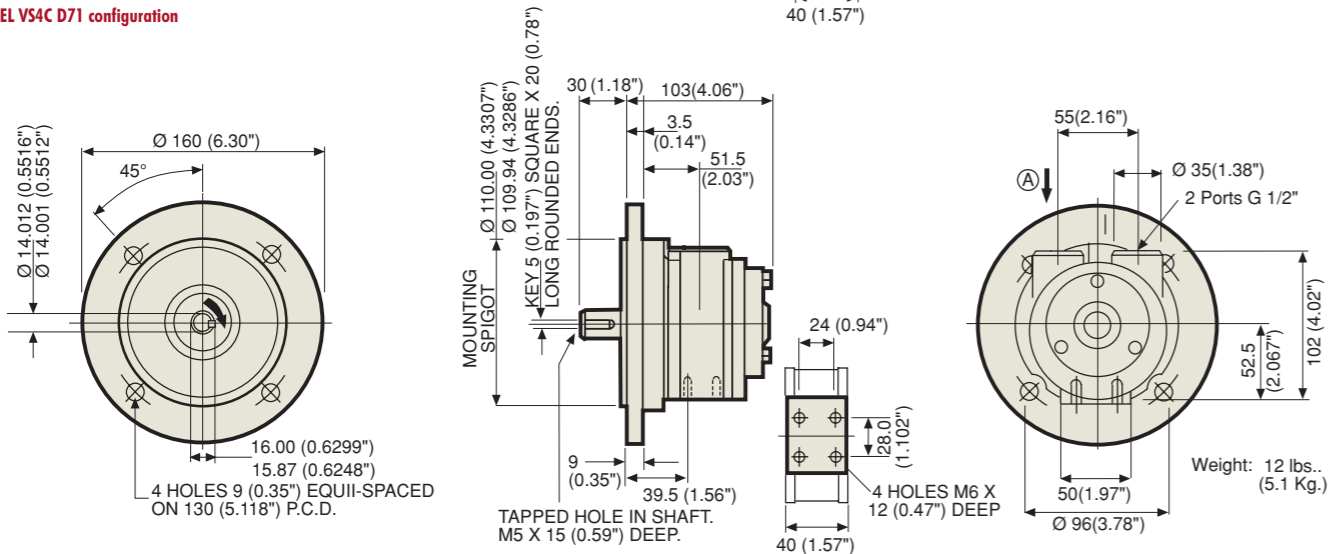
MODEL VA4J Foot Mounting configuration



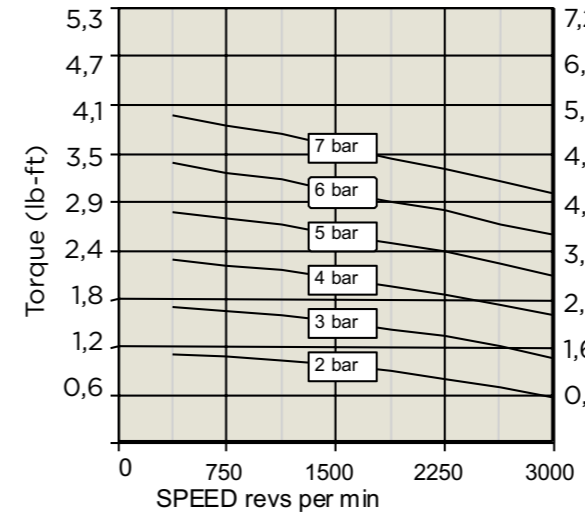
MODEL VA4X Face Mounting configuration



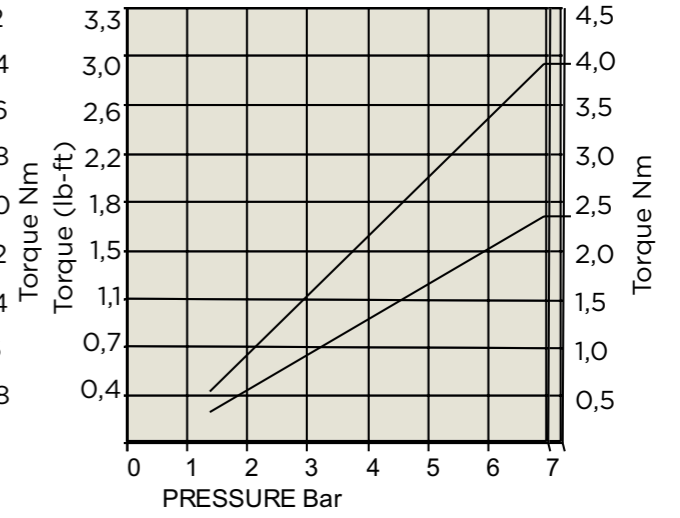
MODEL VS4C D71 configuration



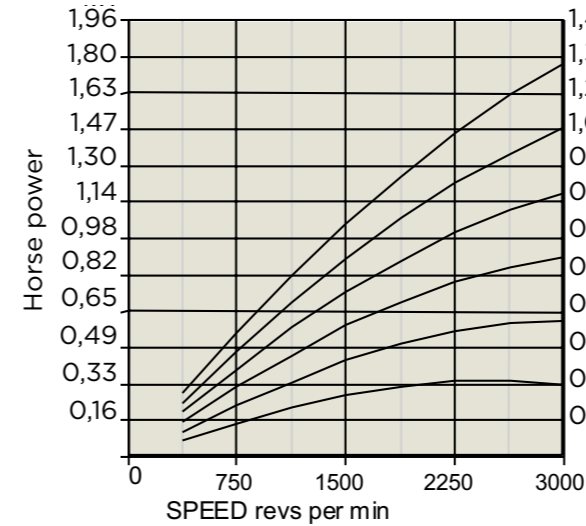
TORQUE - SPEED



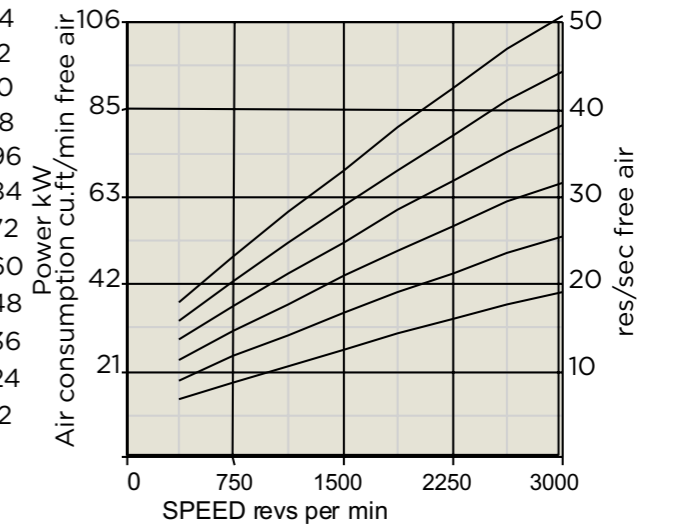
TORQUE - PRESSURE



POWER - SPEED



AIR CONSUMPTION - SPEED



Muffler supplied with motor.

Motor is reversible.

ATTITUDE

The motor can be operated in all positions.

MAXIMUM TEMPERATURE

-20°C to +60°C

(-4°F to +140°F).

AIRLINE FILTRATION

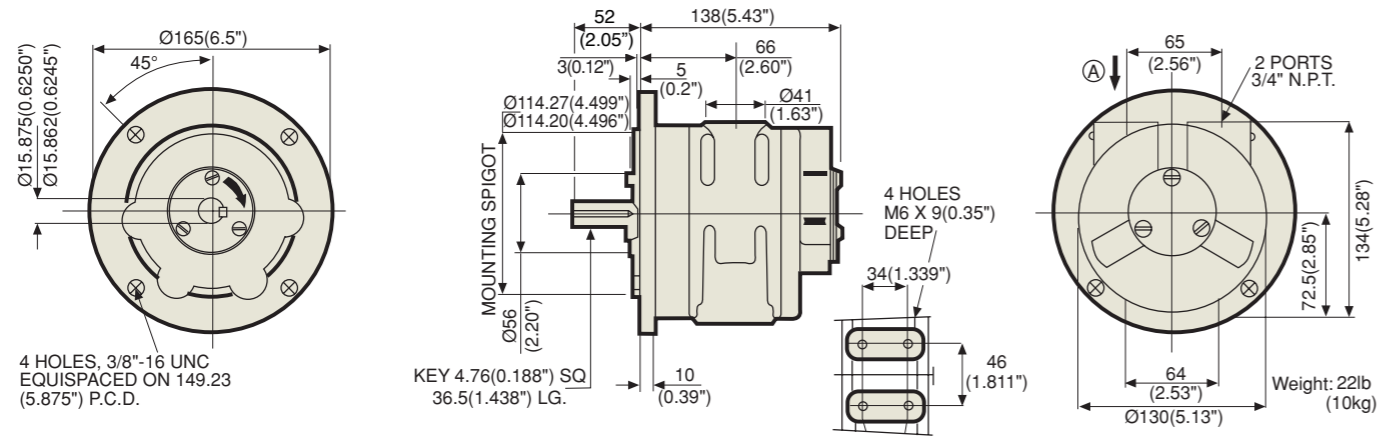
Use 5 micron filtration or better.

MAXIMUM SPEED 3000 RPM

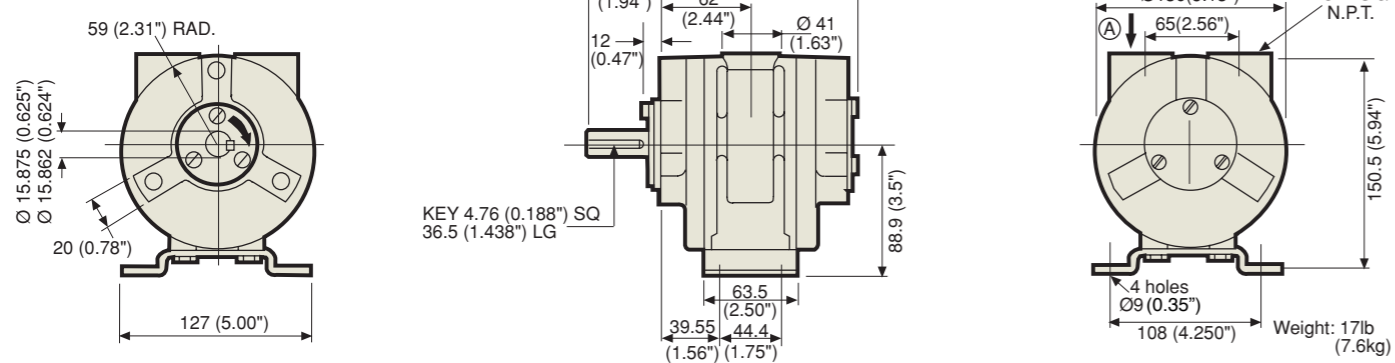
When operating above 50% of the maximum speed please consult your supplier.

DIMENSIONS V6-NL

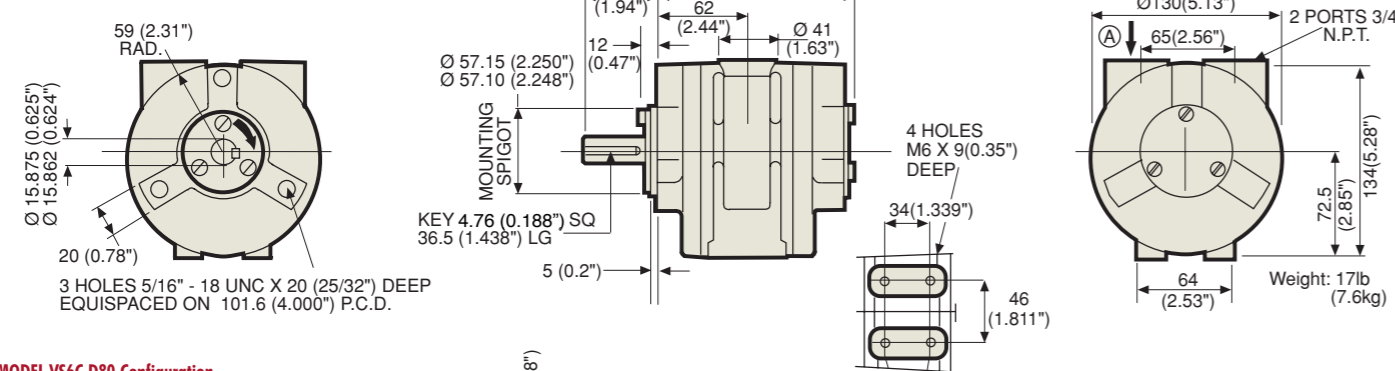
MODEL VA6C Nema 56C Configuration



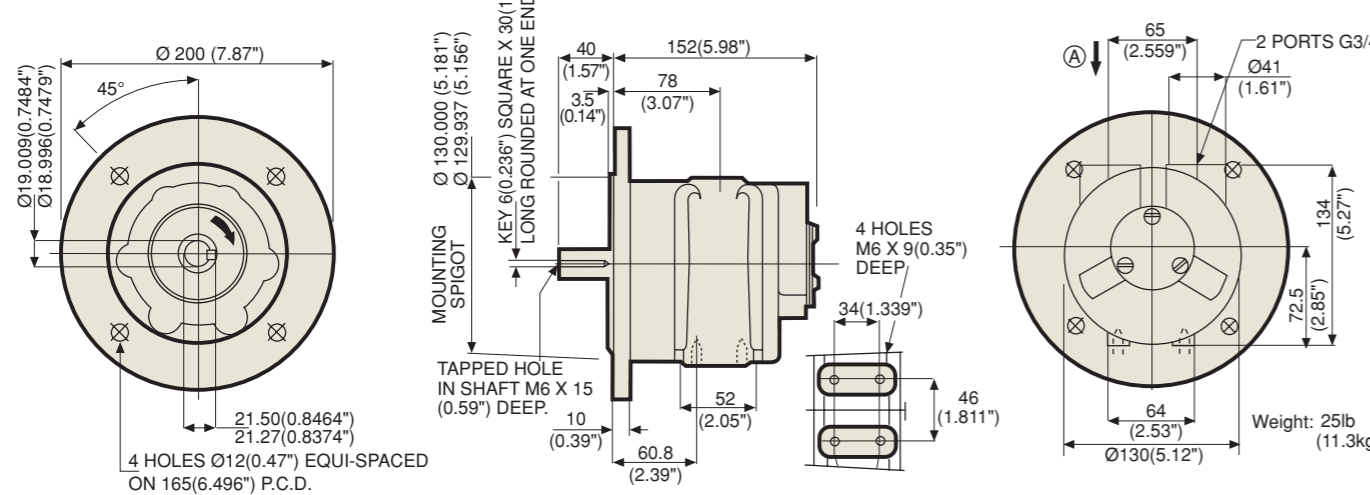
MODEL VA6J Foot Mounting Configuration



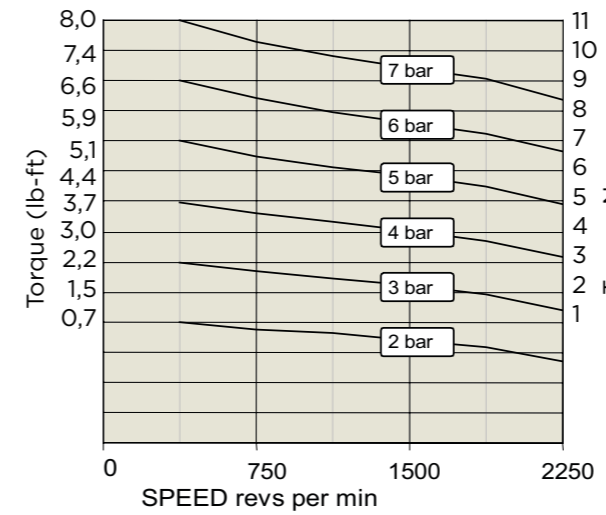
MODEL VA6X Face Mounting Configuration



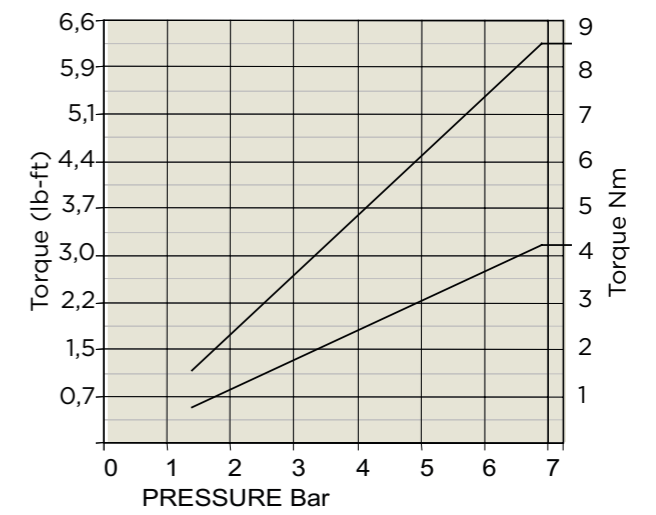
MODEL VS6C D80 Configuration



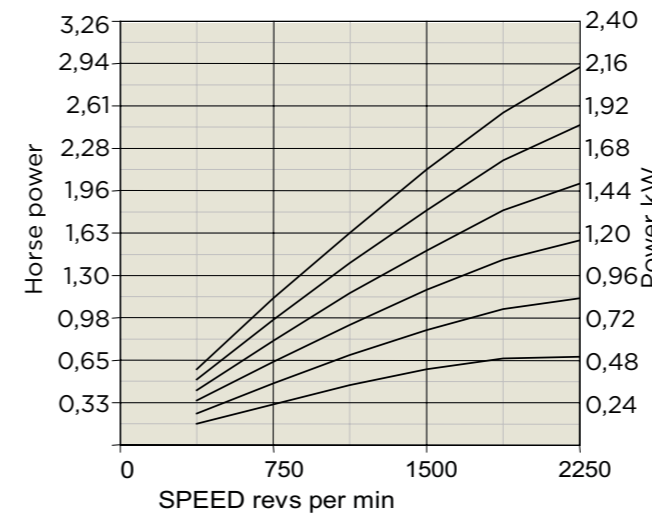
TORQUE - SPEED



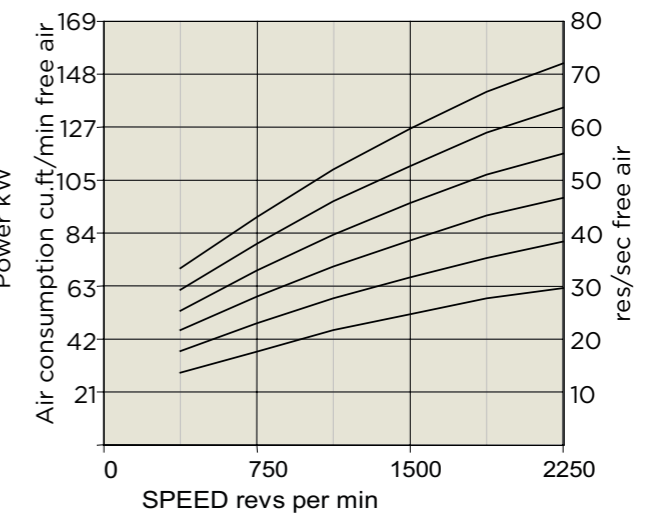
TORQUE - PRESSURE



POWER - SPEED



AIR CONSUMPTION - SF



Muffler supplied with motor.

Motor is reversible.

ATTITUDE

The motor can be operated in all positions.

MAXIMUM TEMPERATURE

-20°C to +60°C

(-4°F to -140°F).

AIRLINE FILTRATION

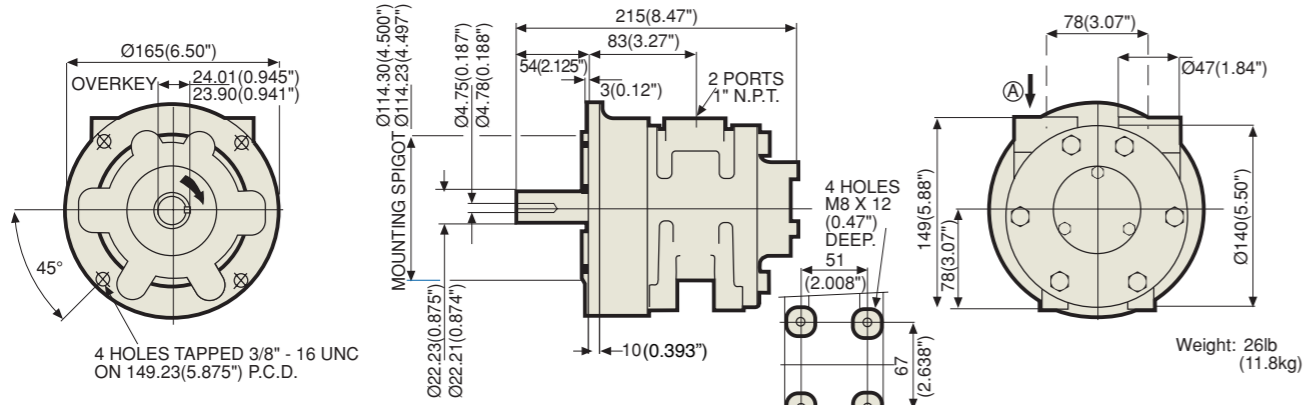
Use 64 micron filtration or better.

MAXIMUM SPEED 2000 RPM

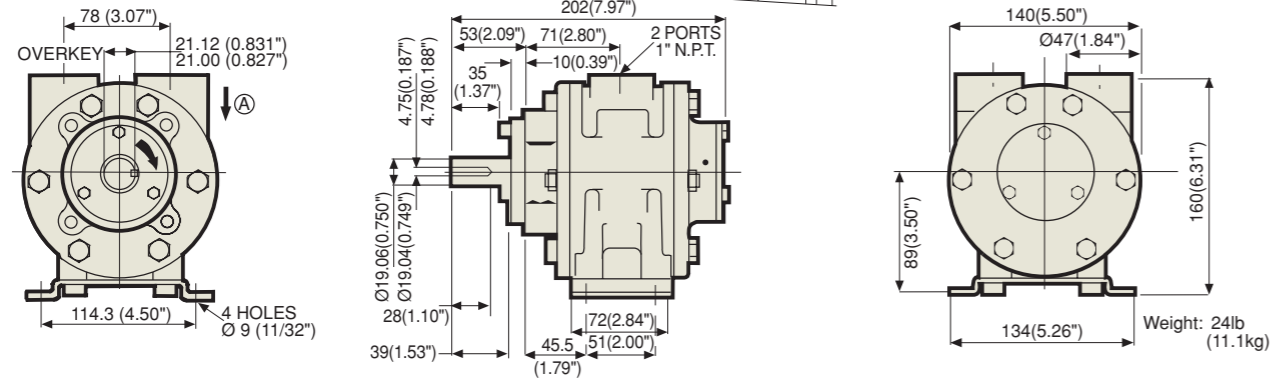
When operating above 50% of the maximum speed please consult your supplier.

DIMENSIONS V8-NL

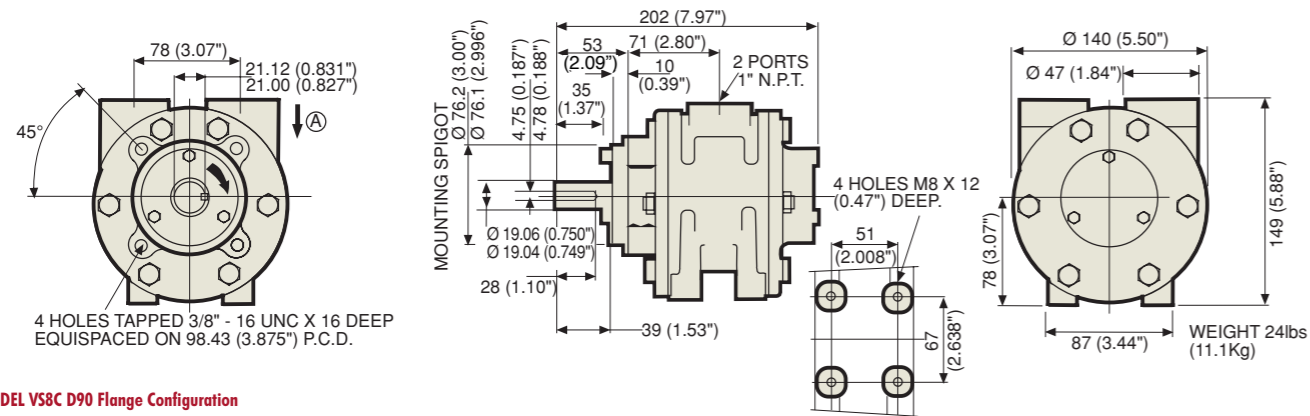
MODEL VA8C I45 TC Configuration



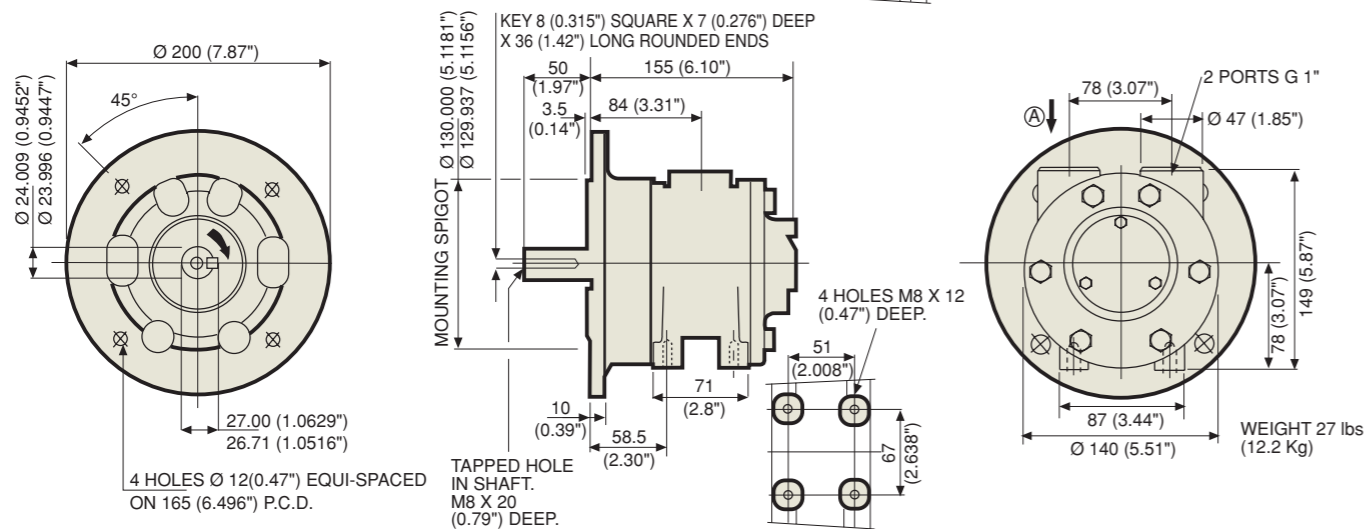
MODEL VA8J Foot Mounting Configuration



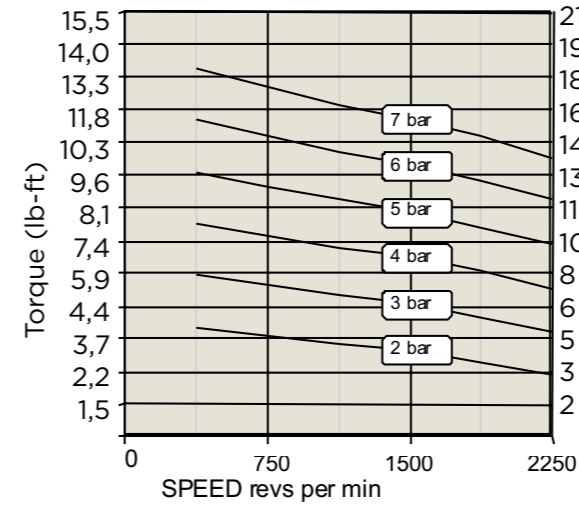
MODEL VA8X Face Mounting Configuration



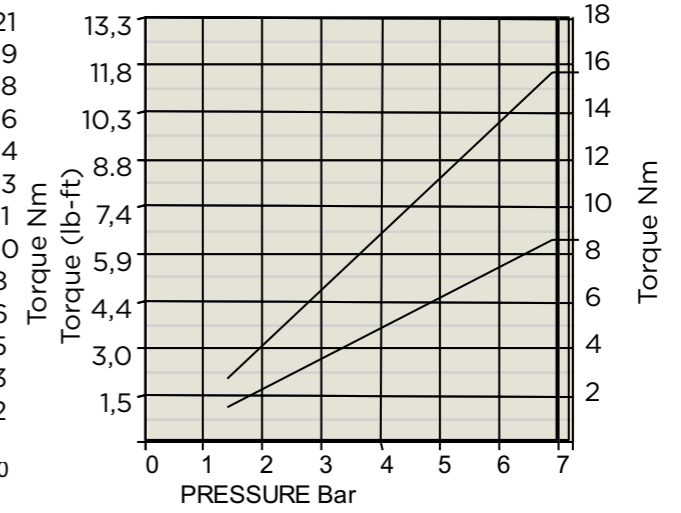
MODEL VS8C D90 Flange Configuration



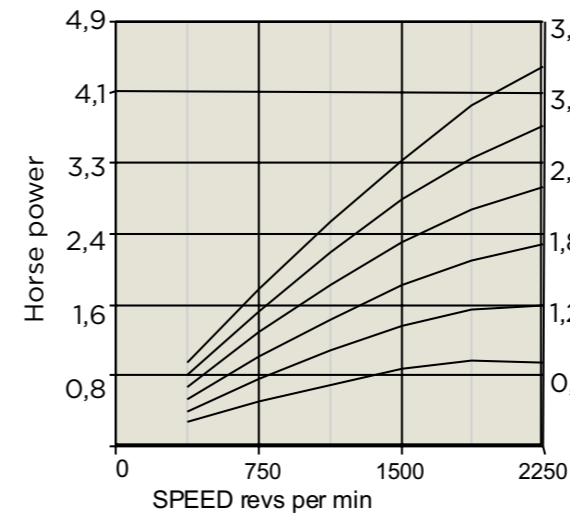
TORQUE - SPEED



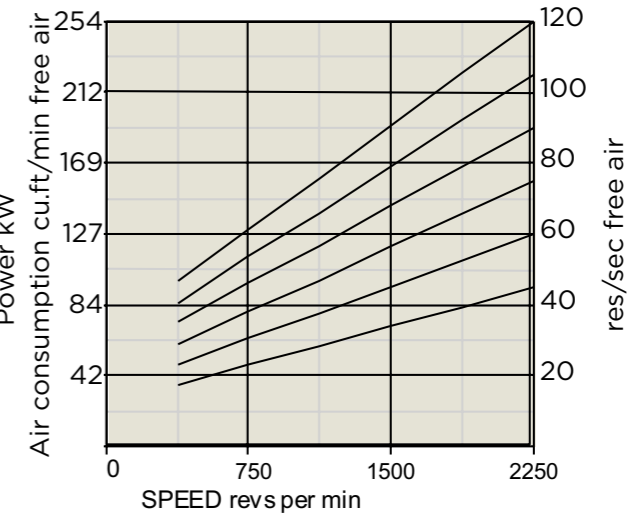
TORQUE - PRESSURE



POWER - SPEED



AIR CONSUMPTION - SPEED



Muffler supplied with motor.

Motor is reversible.

ATTITUDE

The motor can be operated in all positions.

MAXIMUM TEMPERATURE

-20°C to +60°C

(-4°F to +140°F).

AIRLINE FILTRATION

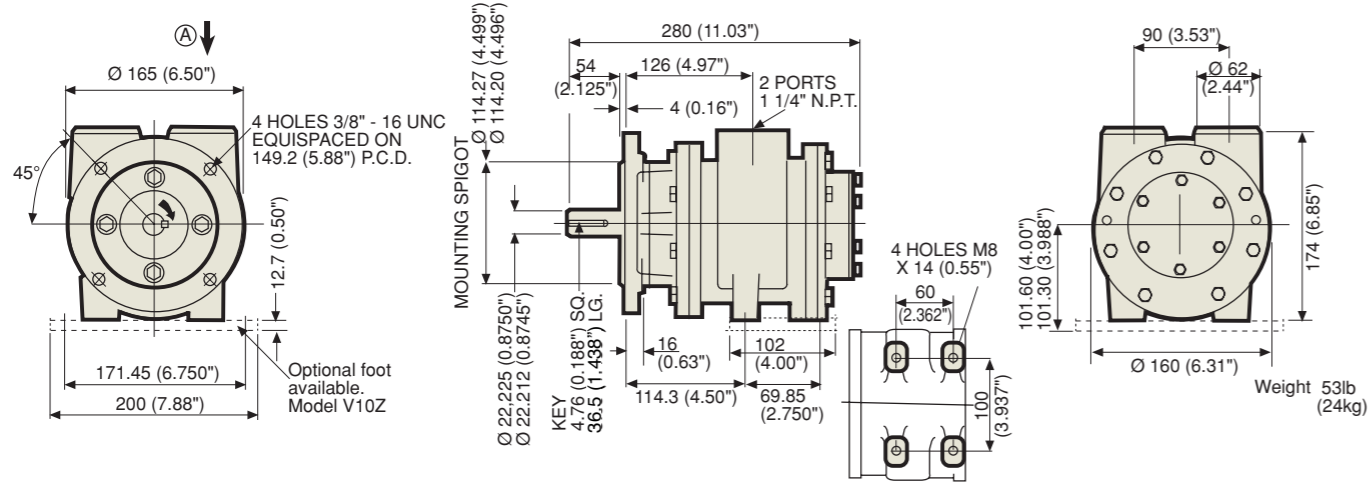
Use 64 micron filtration or better.

MAXIMUM SPEED 2000 RPM

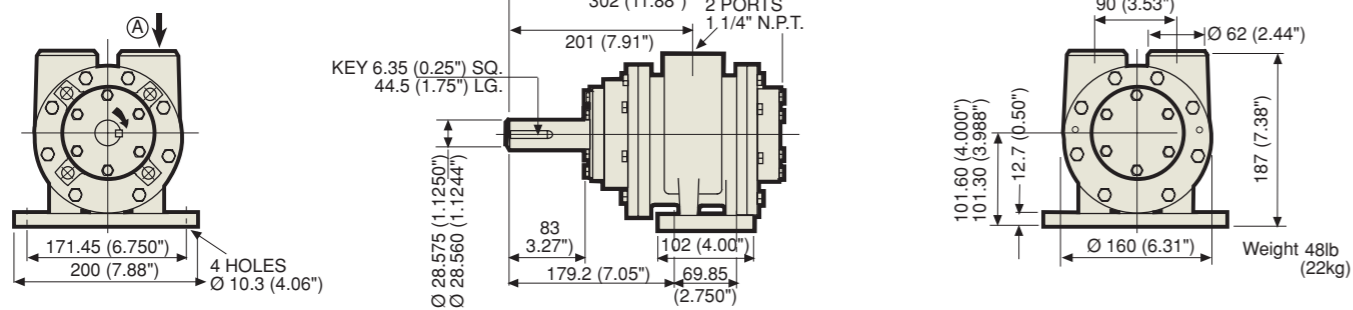
When operating above 50% of the maximum speed please consult your supplier.

DIMENSIONS V10-NL

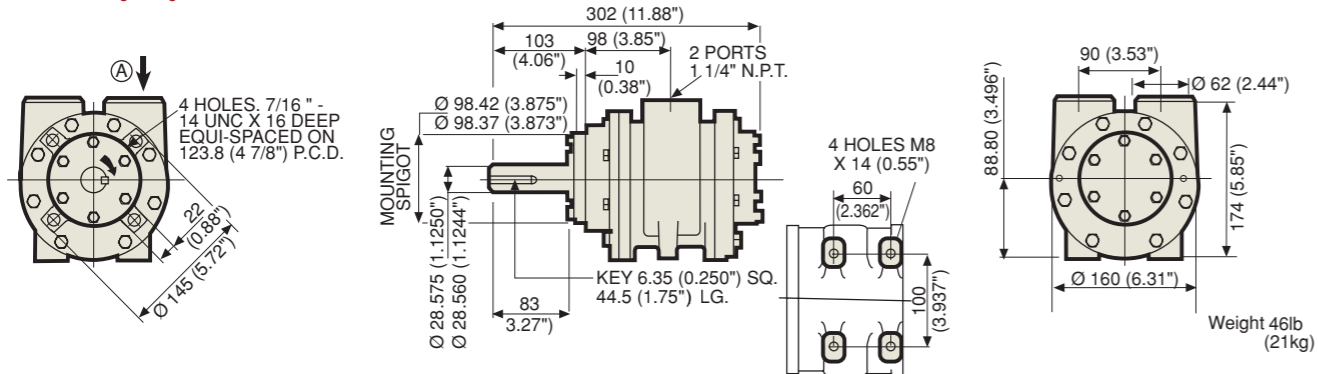
MODEL VA10C 145 TC Configuration



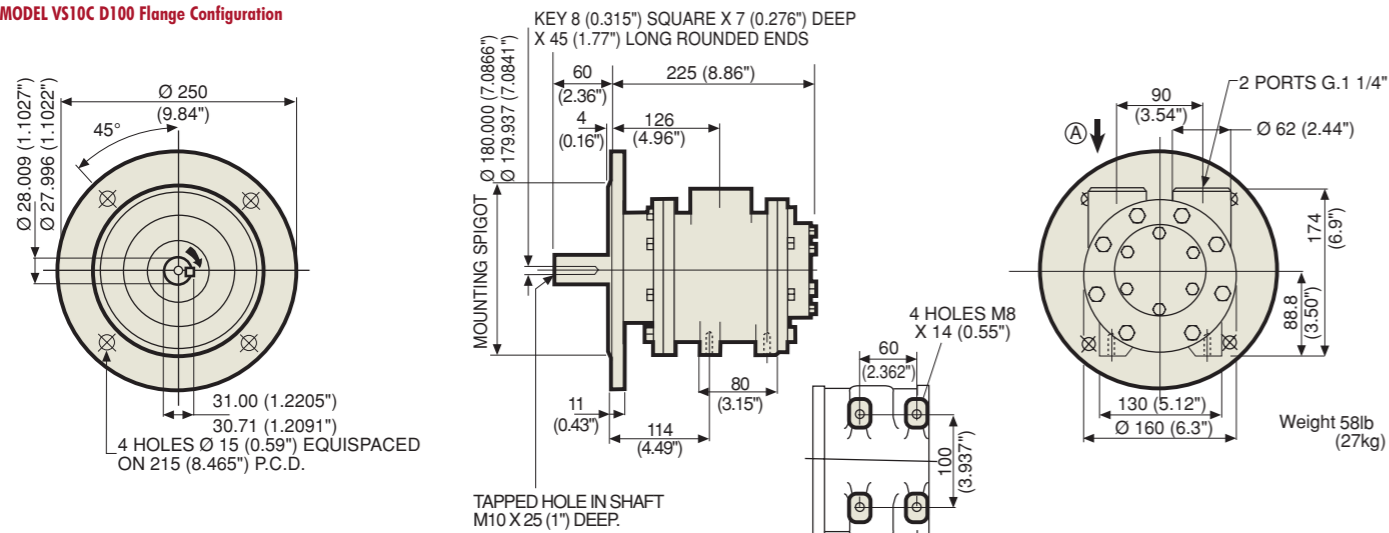
MODEL VA10J Foot Mounting Configuration



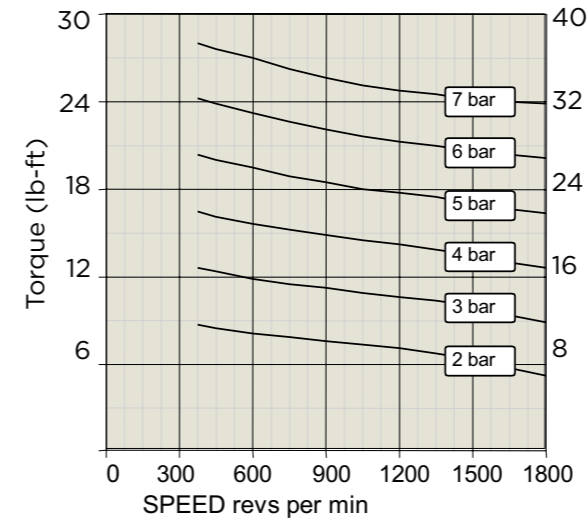
MODEL VA10X Face Mounting Configuration



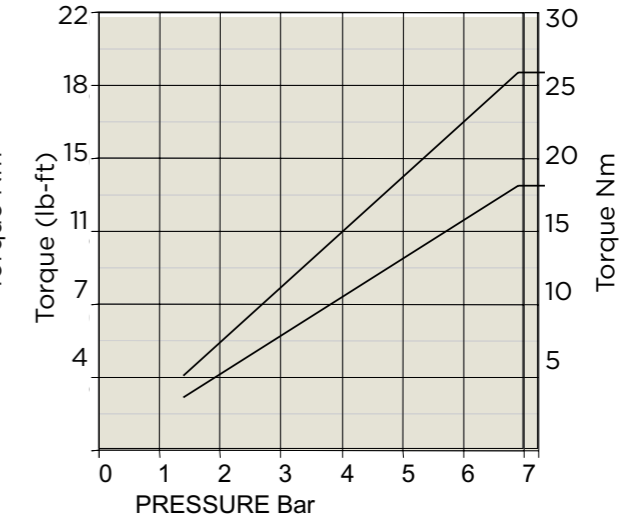
MODEL VS10C D100 Flange Configuration



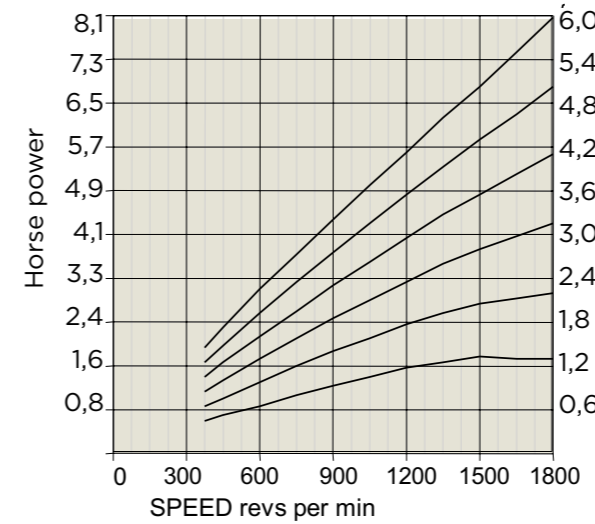
TORQUE - SPEED



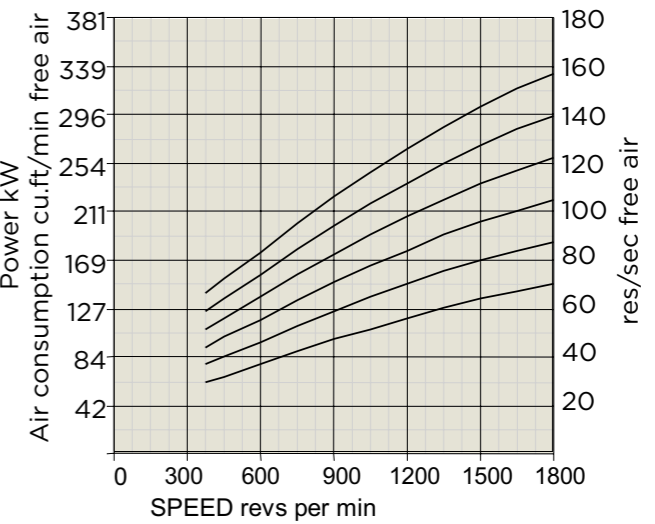
TORQUE - PRESSURE



POWER - SPEED



AIR CONSUMPTION - SPEED



Muffler supplied with motor.

Motor is reversible.

ATTITUDE

The motor can be operated in all positions.

MAXIMUM TEMPERATURE

-20°C to +60°C

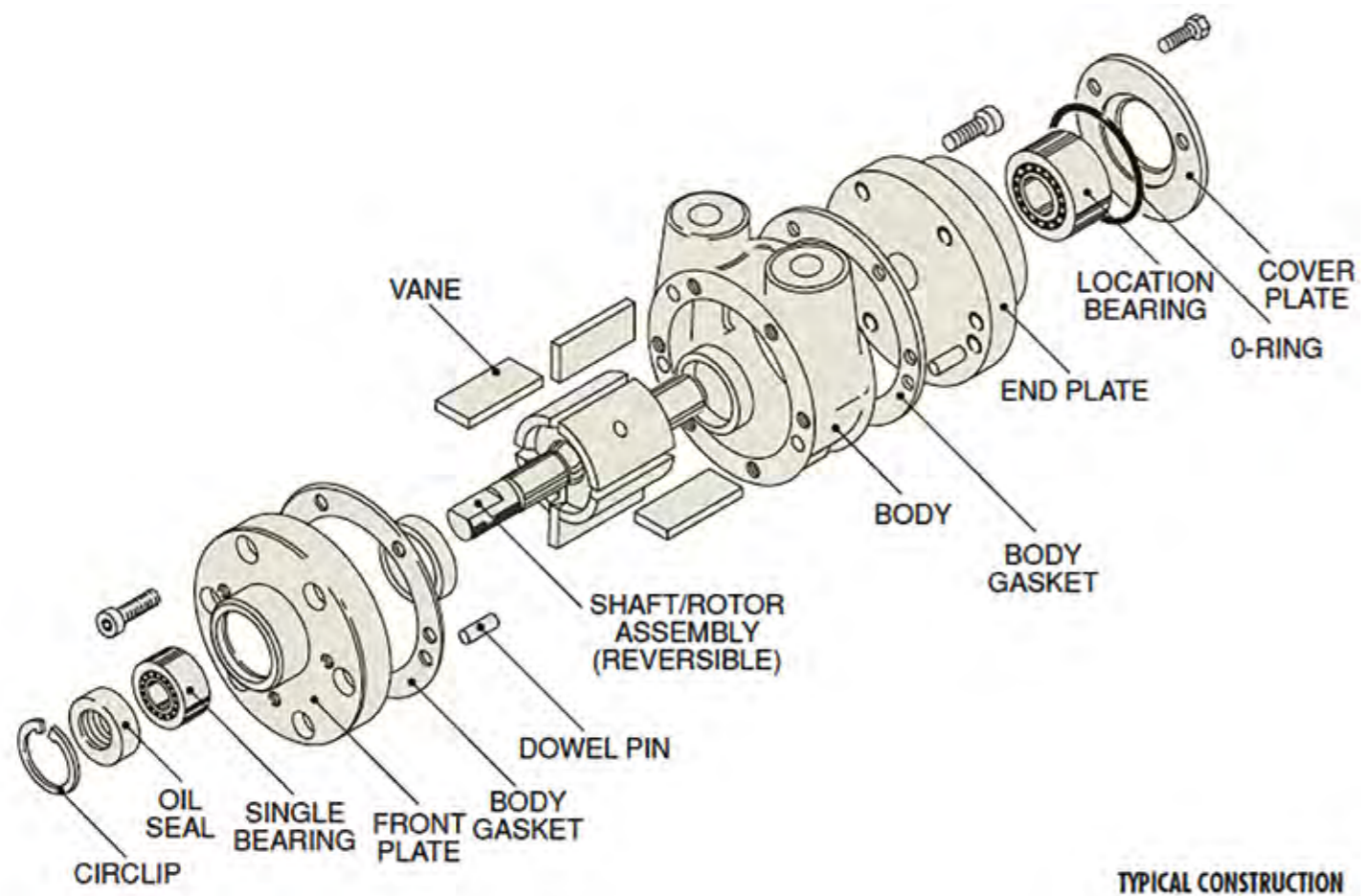
(-4°F to +140°F).

AIRLINE FILTRATION

Use 64 micron filtration or better.

MAXIMUM SPEED 1800 RPM

When operating above 50% of the maximum speed please consult your supplier.



Revision kits and spare parts are available on request.

| Service kit per type of motor | Kit number |
|-------------------------------|------------|
| GLOBE V1 serie | 719-910 |
| GLOBE V2 serie | 729-910 |
| GLOBE V4 serie | 749-910 |
| GLOBE V6 serie | 769-910 |
| GLOBE V8 serie | 789-910 |
| GLOBE V10 serie | 799-910 |
| GLOBE V12 serie | 712-910 |



STAINLESS STEEL VANE AIR MOTORS

GLOBE Airmotors has developed a stainless steel addition to the standard and non lubricated vane air motors. These stainless steel vane air motors have the same dimensions and performances as the standard edition.

These stainless steel vane air motors are perfect for use in aggressive environments and food processing industry.

Please consult GLOBE Airmotors BV about the possibilities regarding the stainless steel vane air motors.





GLOBE GEARED VANE AIR MOTORS

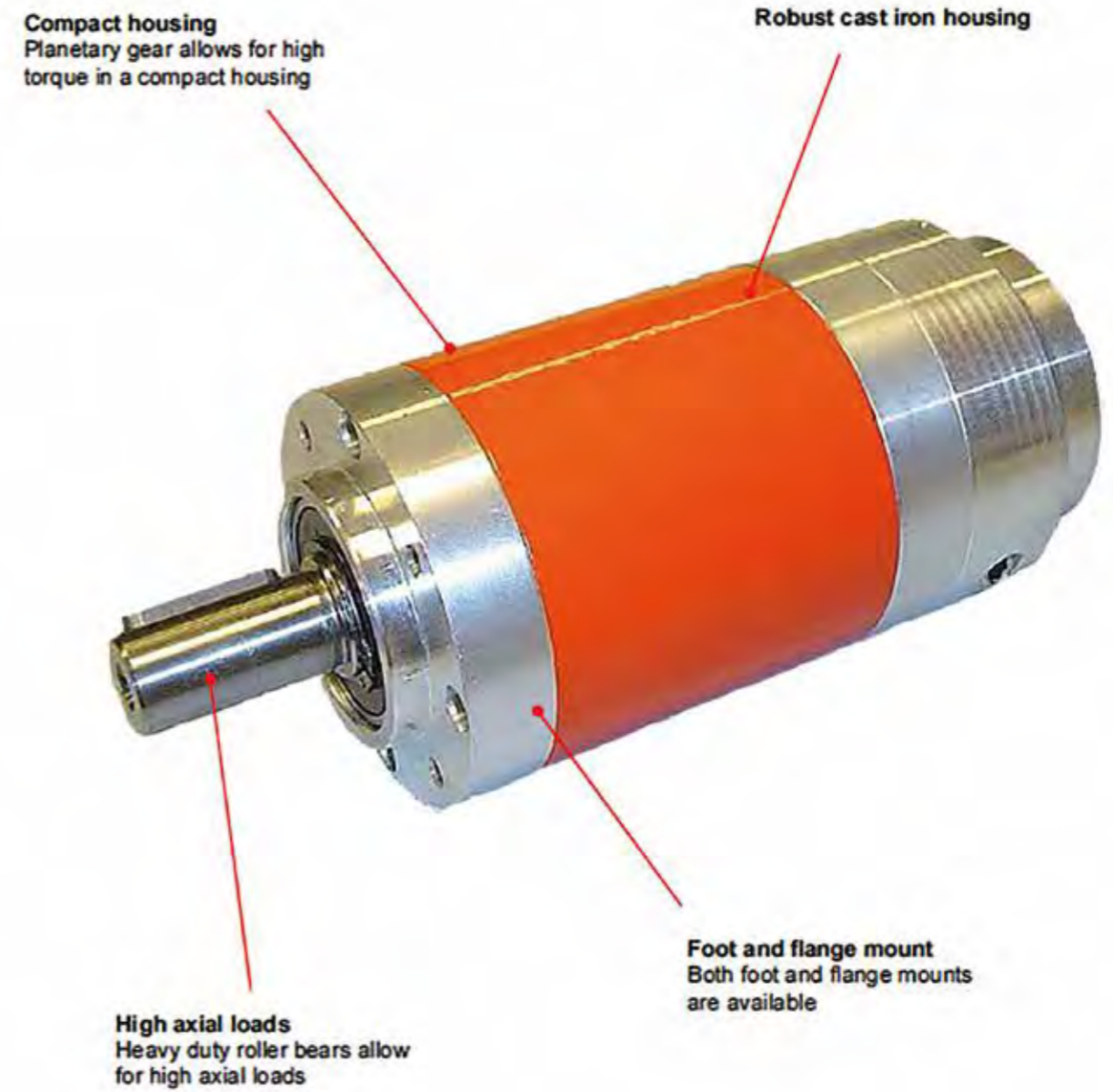
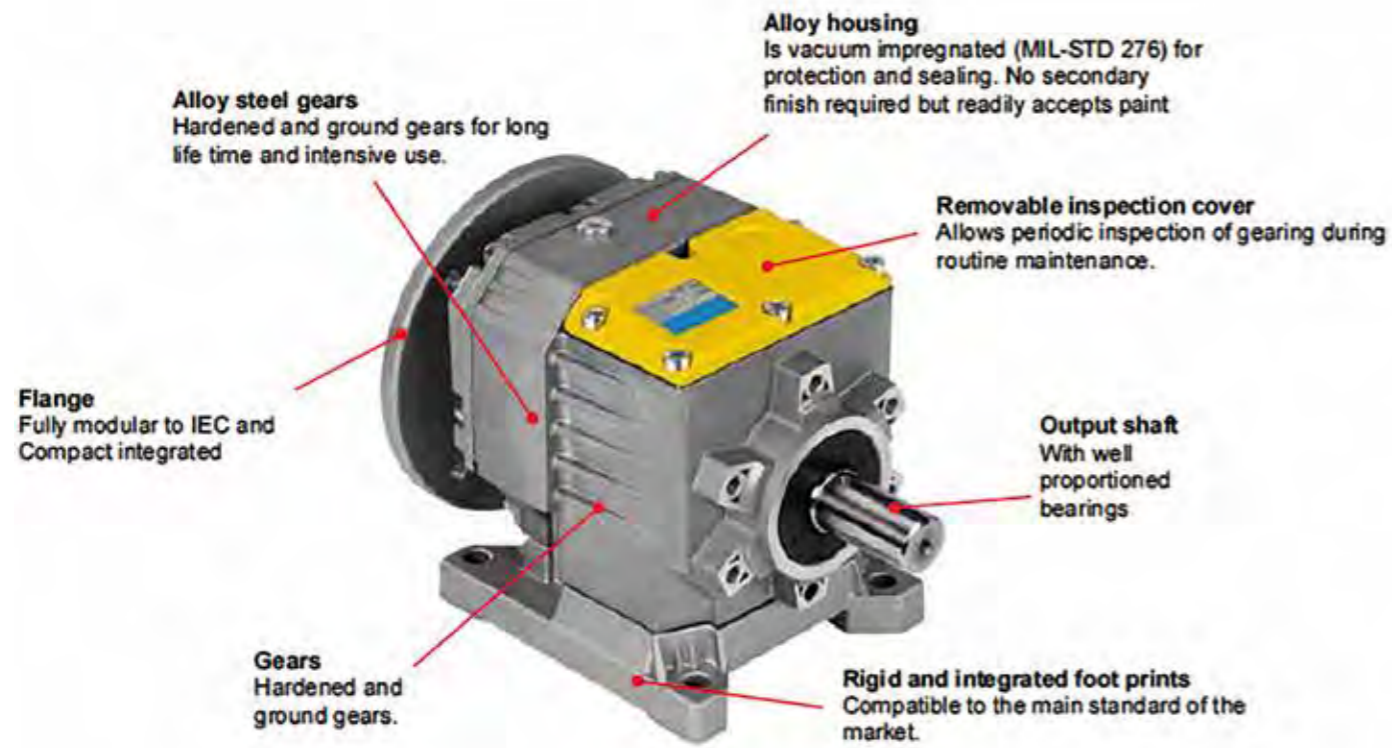
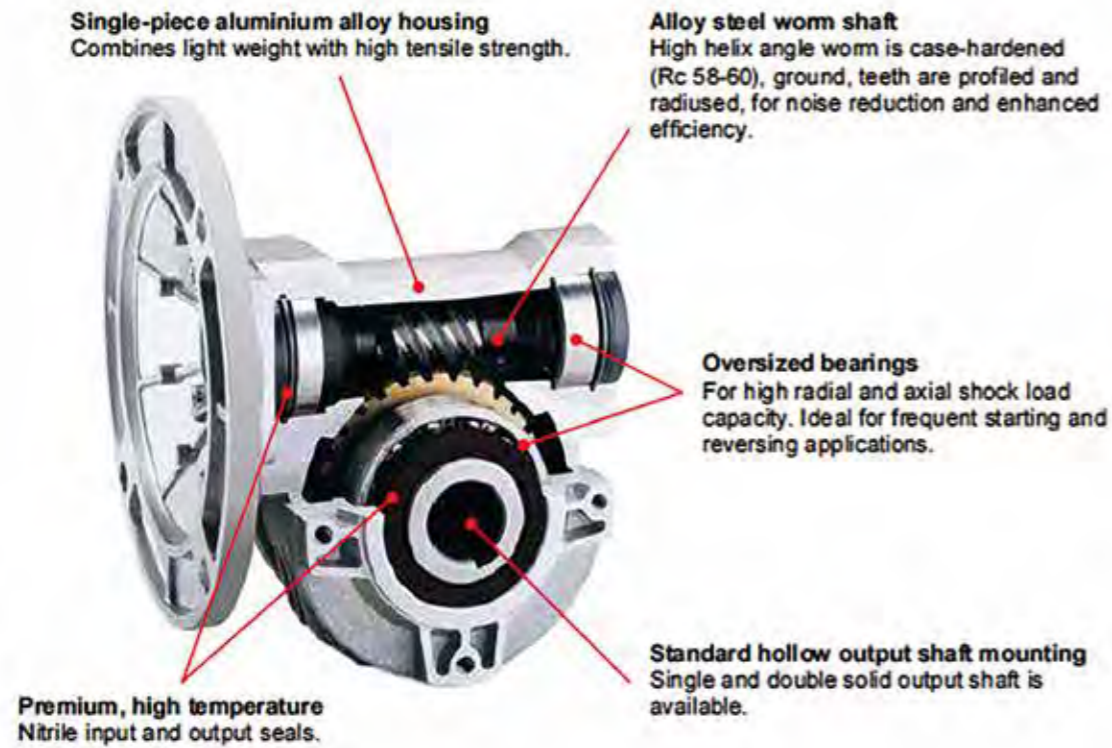
The GLOBE geared vane air motors are available with a standard range of worm and coaxial gearboxes. They generate high torques and low speeds of rotation required in many applications. Power ranges up to 8.3kW/11,1HP at 6 bar/90psi air pressure.

The motor and gearbox are directly mounted onto each other, making them compact and resistant against the environment. GLOBE geared vane air motors are designed for smooth operation and are commonly used in mixing equipment, conveyor belts, hoists and winches, hose reels and turntables.

GLOBE geared vane air motors have many advantages including:

- Power ranges up to 8.3kW/11,1HP at 6 bar/90psi air pressure
- High nominal torque up to 1650Nm/1216 lbs.ft
- Speed of rotation as low as 7 rpm
- Easily variable and controllable speed and torque
- Perfect for applications in hazardous and aggressive environments
- ATEX certification ATEX II cat. 2 G&D T5 on request
- No damage by overload or repeated starting
- Can be used in stall conditions
- Superior power to weight ratio
- Instantly reversible
- Minimum maintenance
- High radial and axial loads permitted
- Oil free possible

Please contact GLOBE for special requests. We are known for our custom solutions.



PERFORMANCES GLOBE VANE AIR MOTORS WORM GEARBOX

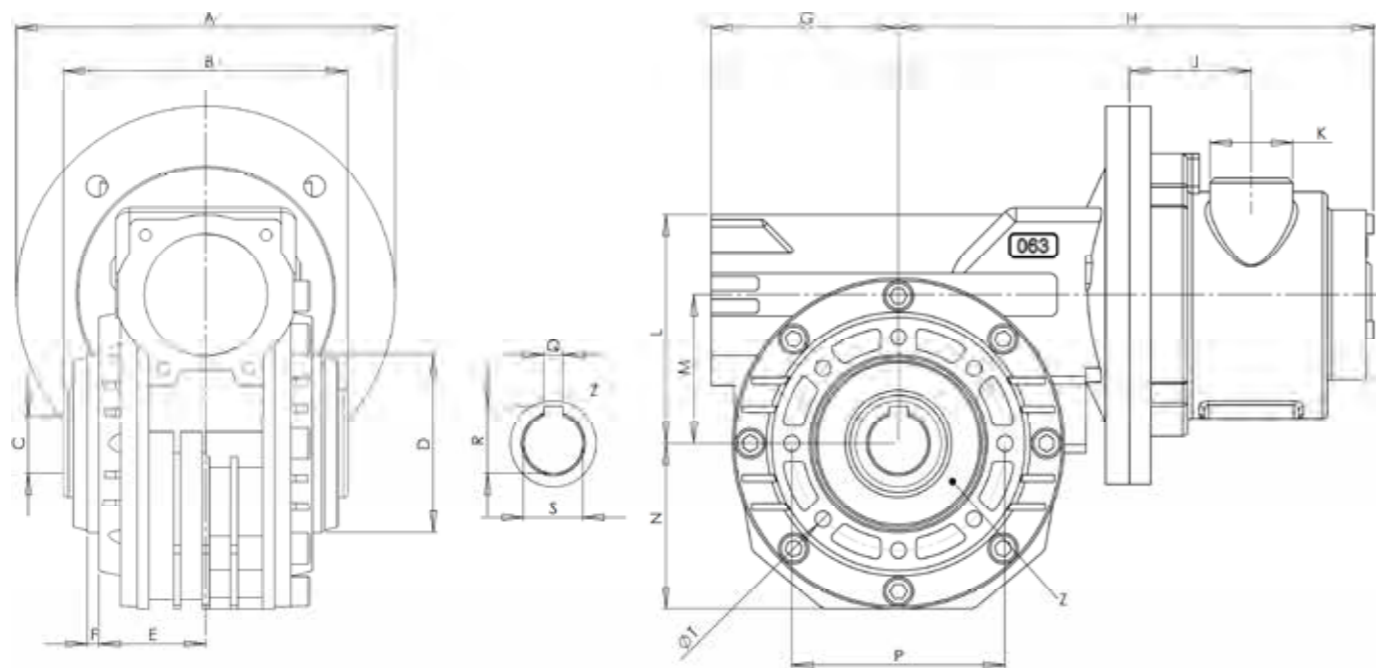
| Ordering code flange model | Ordering code foot model | i | Power* (kW / hp) | Max. rpm** | Nominal torque* (Nm / lb-ft) | Min. starting torque (Nm / lb-ft) | Weight flange model (Kg / lb) | Weight foot model (Kg / lb) |
|-------------------------------|-----------------------------|----|---------------------|---------------|------------------------------------|---|-------------------------------------|-----------------------------------|
| GLOBE V4 + worm gear | | | | | | | | |
| VS4DW63FG7 | VS4DW63BG7 | 7 | 1.3kW / 1.8hp | 430 | 30Nm / 22lb-ft | 20Nm / 15lb-ft | 11Kg / 24.2lb | 12Kg / 26.4lb |
| VS4DW63FG15 | VS4DW63BG15 | 15 | 1.3kW / 1.8hp | 200 | 61Nm / 45lb-ft | 35Nm / 26lb-ft | 11Kg / 24.2lb | 12Kg / 26.4lb |
| VS4DW63FG30 | VS4DW63BG30 | 30 | 1.2kW / 1.6hp | 100 | 110Nm / 81lb-ft | 53Nm / 39lb-ft | 11Kg / 24.2lb | 12Kg / 26.4lb |
| VS4DW63FG45 | VS4DW63BG45 | 45 | 1.1kW / 1.5hp | 65 | 155Nm / 114lb-ft | 67Nm / 49lb-ft | 11Kg / 24.2lb | 12Kg / 26.4lb |
| VS4DW85FG67 | VS4DW85BG67 | 67 | 1kW / 1.3hp | 45 | 210Nm / 155lb-ft | 80Nm / 59lb-ft | 17Kg / 37.4lb | 19Kg / 41.8lb |
| VS4DW85FG74 | VS4DW85BG74 | 74 | 0.9kW / 1.2hp | 40 | 220Nm / 162lb-ft | 83Nm / 61lb-ft | 17Kg / 37.4lb | 19Kg / 41.8lb |
| GLOBE V6 + worm gear | | | | | | | | |
| VS6DW63FG7 | VS6DW63BG7 | 7 | 2.7kW / 3.7hp | 430 | 60Nm / 44lb-ft | 40Nm / 29lb-ft | 17Kg / 37.4lb | 18Kg / 39.6lb |
| VS6DW63FG15 | VS6DW63BG15 | 15 | 2.6kW / 3.5hp | 200 | 120Nm / 88lb-ft | 70Nm / 52lb-ft | 17Kg / 37.4lb | 18Kg / 39.6lb |
| VS6DW85FG28 | VS6DW85BG28 | 28 | 2.5kW / 3.4hp | 105 | 220Nm / 162lb-ft | 110Nm / 81lb-ft | 23Kg / 50.6lb | 25Kg / 55lb |
| VS6DW85FG46 | VS6DW85BG46 | 46 | 2.3kW / 3.1hp | 65 | 330Nm / 243lb-ft | 160Nm / 118lb-ft | 23Kg / 50.6lb | 25Kg / 55lb |
| VS6DW110FG64 | VS6DW110BG64 | 64 | 2.3kW / 3.1hp | 47 | 460Nm / 339lb-ft | 195Nm / 144lb-ft | 39Kg / 85.8lb | 44Kg / 96.8lb |
| VS6DW110FG84 | VS6DW110BG84 | 84 | 2.2kW / 3.0hp | 35 | 575Nm / 424lb-ft | 220Nm / 162lb-ft | 39Kg / 85.8lb | 44Kg / 96.8lb |
| GLOBE V8 + worm gear | | | | | | | | |
| VS8DW85FG7 | VS8DW85BG7 | 7 | 4kW / 5.4hp | 430 | 90Nm / 66lb-ft | 75Nm / 55lb-ft | 24Kg / 52.8lb | 26Kg / 57.2lb |
| VS8DW85FG14 | VS8DW85BG14 | 14 | 3.9kW / 5.3hp | 215 | 175Nm / 129lb-ft | 125Nm / 92lb-ft | 24Kg / 52.8lb | 26Kg / 57.2lb |
| VS8DW110FG30 | VS8DW110BG30 | 30 | 3.7kW / 5.0hp | 100 | 350Nm / 258lb-ft | 200Nm / 147lb-ft | 40Kg / 88lb | 45Kg / 99lb |
| VS8DW110FG45 | VS8DW110BG45 | 45 | 3.6kW / 4.9hp | 65 | 515Nm / 380lb-ft | 295Nm / 217lb-ft | 40Kg / 88lb | 45Kg / 99lb |
| VS8DW110FG64 | VS8DW110BG64 | 64 | 3.3kW / 4.5hp | 47 | 690Nm / 508lb-ft | 365Nm / 269lb-ft | 40Kg / 88lb | 45Kg / 99lb |
| GLOBE V10 + worm gear | | | | | | | | |
| VS10DW85FG7 | VS10DW85BG7 | 7 | 7.2kW / 9.8hp | 340 | 210Nm / 155lb-ft | 150Nm / 111lb-ft | 39Kg / 85.8lb | 41Kg / 90.2lb |
| VS10DW110FG16 | VS10DW110BG16 | 16 | 7kW / 9.5hp | 150 | 460Nm / 339lb-ft | 290Nm / 214lb-ft | 55Kg / 121lb | 60Kg / 132lb |
| VS10DW110FG23 | VS10DW110BG23 | 23 | 6.9kW / 9.4hp | 105 | 650Nm / 479lb-ft | 405Nm / 298lb-ft | 55Kg / 121lb | 60Kg / 132lb |

* Power and nominal torque at 6 bar and motor input speed of 3000 rpm (V4, V6, V8) and 2400 rpm (V10).

** In applications where the motor input speed exceeds 2200 rpm, only intermittent use is tolerated.



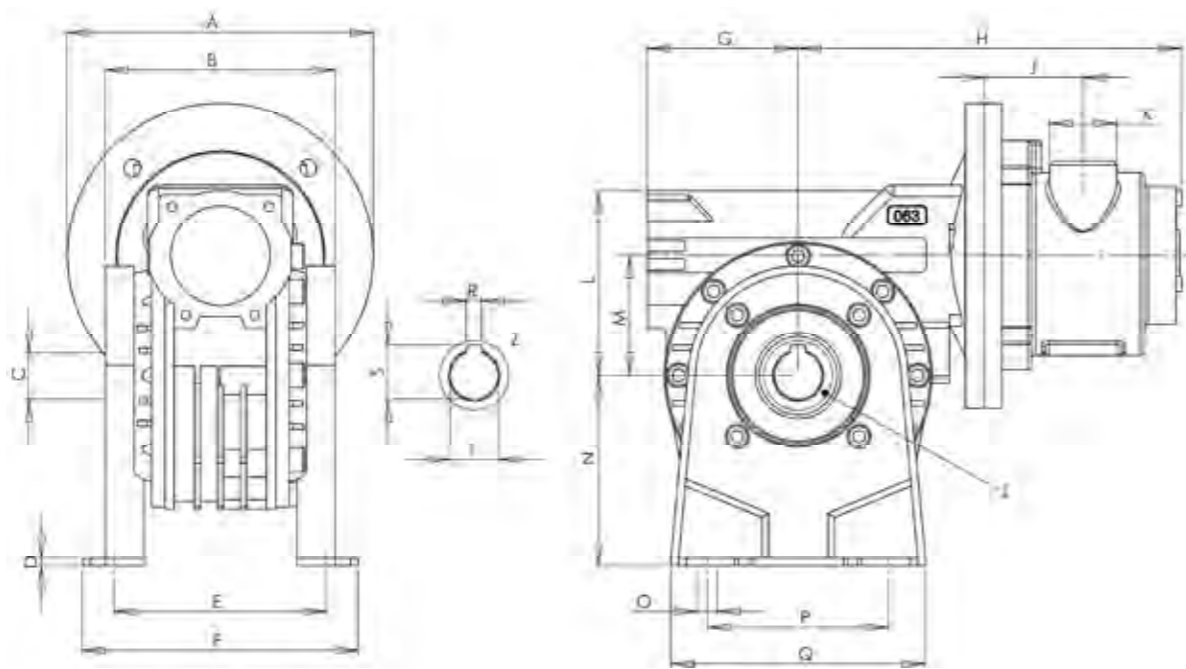
DIMENSIONS GLOBE VANE AIR MOTORS WORM GEARBOX - FLANGE MODEL



| Ordering code | A | B | C | D | E | F | G | H | J |
|----------------------|-------------|-------------|--------------|---------------|------------|-------------|-------------|--------------|-------------|
| VS4DW63FG7 | 160 (6.29") | 120 (4.72") | 25H8 (0.98") | 75h8 (2.95") | 45 (1.77") | 5 (0.19") | 79 (3.11") | 203 (7.99") | 55 (2.16") |
| VS4DW63FG15 | 160 (6.29") | 120 (4.72") | 25H8 (0.98") | 75h8 (2.95") | 45 (1.77") | 5 (0.19") | 79 (3.11") | 203 (7.99") | 55 (2.16") |
| VS4DW63FG30 | 160 (6.29") | 120 (4.72") | 25H8 (0.98") | 75h8 (2.95") | 45 (1.77") | 5 (0.19") | 79 (3.11") | 203 (7.99") | 55 (2.16") |
| VS4DW63FG45 | 160 (6.29") | 120 (4.72") | 25H8 (0.98") | 75h8 (2.95") | 45 (1.77") | 5 (0.19") | 79 (3.11") | 203 (7.99") | 55 (2.16") |
| VS4DW85FG67 | 160 (6.29") | 135 (5.31") | 35H8 (1.37") | 110h8 (4.33") | 64 (2.52") | 3.5 (0.14") | 98 (3.86") | 227 (8.94") | 55 (2.16") |
| VS4DW85FG74 | 160 (6.29") | 135 (5.31") | 35H8 (1.37") | 110h8 (4.33") | 64 (2.52") | 3.5 (0.14") | 98 (3.86") | 227 (8.94") | 55 (2.16") |
| VS6DW63FG7 | 200 (7.87") | 120 (4.72") | 25H8 (0.98") | 75h8 (2.95") | 45 (1.77") | 5 (0.19") | 79 (3.11") | 252 (9.92") | 78 (3.07") |
| VS6DW63FG15 | 200 (7.87") | 120 (4.72") | 25H8 (0.98") | 75h8 (2.95") | 45 (1.77") | 5 (0.19") | 79 (3.11") | 252 (9.92") | 78 (3.07") |
| VS6DW85FG28 | 200 (7.87") | 135 (5.31") | 35H8 (1.37") | 110h8 (4.33") | 64 (2.52") | 3.5 (0.14") | 98 (3.86") | 276 (10.86") | 78 (3.07") |
| VS6DW85FG46 | 200 (7.87") | 135 (5.31") | 35H8 (1.37") | 110h8 (4.33") | 64 (2.52") | 3.5 (0.14") | 98 (3.86") | 276 (10.86") | 78 (3.07") |
| VS6DW110FG64 | 200 (7.87") | 155 (6.10") | 42H8 (1.65") | 130h8 (5.12") | 74 (2.91") | 3.5 (0.14") | 118 (4.64") | 296 (11.65") | 78 (3.07") |
| VS6DW110FG84 | 200 (7.87") | 155 (6.10") | 42H8 (1.65") | 130h8 (5.12") | 74 (2.91") | 3.5 (0.14") | 118 (4.64") | 296 (11.65") | 78 (3.07") |
| VS8DW85FG7 | 200 (7.87") | 135 (5.31") | 35H8 (1.37") | 110h8 (4.33") | 64 (2.52") | 3.5 (0.14") | 98 (3.86") | 279 (10.98") | 84 (3.31") |
| VS8DW85FG14 | 200 (7.87") | 135 (5.31") | 35H8 (1.37") | 110h8 (4.33") | 64 (2.52") | 3.5 (0.14") | 98 (3.86") | 279 (10.98") | 84 (3.31") |
| VS8DW110FG30 | 200 (7.87") | 155 (6.10") | 42H8 (1.65") | 130h8 (5.12") | 74 (2.91") | 3.5 (0.14") | 118 (4.64") | 299 (11.77") | 84 (3.31") |
| VS8DW110FG45 | 200 (7.87") | 155 (6.10") | 42H8 (1.65") | 130h8 (5.12") | 74 (2.91") | 3.5 (0.14") | 118 (4.64") | 299 (11.77") | 84 (3.31") |
| VS8DW110FG64 | 200 (7.87") | 155 (6.10") | 42H8 (1.65") | 130h8 (5.12") | 74 (2.91") | 3.5 (0.14") | 118 (4.64") | 299 (11.77") | 84 (3.31") |
| VS10DW85FG7 | 250 (9.84") | 135 (5.31") | 35H8 (1.37") | 110h8 (4.33") | 64 (2.52") | 3.5 (0.14") | 98 (3.86") | 349 (13.74") | 126 (4.96") |
| VS10DW110FG16 | 250 (9.84") | 155 (6.10") | 42H8 (1.65") | 130h8 (5.12") | 74 (2.91") | 3.5 (0.14") | 118 (4.64") | 369 (14.53") | 126 (4.96") |
| VS10DW110FG23 | 250 (9.84") | 155 (6.10") | 42H8 (1.65") | 130h8 (5.12") | 74 (2.91") | 3.5 (0.14") | 118 (4.64") | 369 (14.53") | 126 (4.96") |

| Ordering code | K | L | M | N | P | Q | R | S | T |
|----------------------|----------|-------------|-------------|--------------|-------------|------------|--------------|--------------|----------------------------|
| VS4DW63FG7 | G1/2" | 100 (3.94") | 63 (2.48") | 70 (2.75") | 90 (3.54") | 8 (0.31") | 28.3 (1.11") | 25H8 (0.98") | 8xM8x17 (0.31"xM8x0.67") |
| VS4DW63FG15 | G1/2" | 100 (3.94") | 63 (2.48") | 70 (2.75") | 90 (3.54") | 8 (0.31") | 28.3 (1.11") | 25H8 (0.98") | 8xM8x17 (0.31"xM8x0.67") |
| VS4DW63FG30 | G1/2" | 100 (3.94") | 63 (2.48") | 70 (2.75") | 90 (3.54") | 8 (0.31") | 28.3 (1.11") | 25H8 (0.98") | 8xM8x17 (0.31"xM8x0.67") |
| VS4DW63FG45 | G1/2" | 100 (3.94") | 63 (2.48") | 70 (2.75") | 90 (3.54") | 8 (0.31") | 28.3 (1.11") | 25H8 (0.98") | 8xM8x17 (0.31"xM8x0.67") |
| VS4DW85FG67 | G1/2" | 138 (5.43") | 85 (3.34") | 94.5 (3.72") | 130 (5.12") | 10 (0.39") | 38.3 (1.51") | 35H8 (1.37") | 4xM10x18 (0.16"xM10x0.71") |
| VS4DW85FG74 | G1/2" | 138 (5.43") | 85 (3.34") | 94.5 (3.72") | 130 (5.12") | 10 (0.39") | 38.3 (1.51") | 35H8 (1.37") | 4xM10x18 (0.16"xM10x0.71") |
| VS6DW63FG7 | G3/4" | 100 (3.94") | 63 (2.48") | 70 (2.75") | 90 (3.54") | 8 (0.31") | 28.3 (1.11") | 25H8 (0.98") | 8xM8x17 (0.31"xM8x0.67") |
| VS6DW63FG15 | G3/4" | 100 (3.94") | 63 (2.48") | 70 (2.75") | 90 (3.54") | 8 (0.31") | 28.3 (1.11") | 25H8 (0.98") | 8xM8x17 (0.31"xM8x0.67") |
| VS6DW85FG28 | G3/4" | 138 (5.43") | 85 (3.34") | 94.5 (3.72") | 130 (5.12") | 10 (0.39") | 38.3 (1.51") | 35H8 (1.37") | 4xM10x18 (0.16"xM10x0.71") |
| VS6DW85FG46 | G3/4" | 138 (5.43") | 85 (3.34") | 94.5 (3.72") | 130 (5.12") | 10 (0.39") | 38.3 (1.51") | 35H8 (1.37") | 4xM10x18 (0.16"xM10x0.71") |
| VS6DW110FG64 | G3/4" | 163 (6.42") | 110 (4.33") | 116 (4.56") | 165 (6.49") | 12 (0.47") | 45.3 (1.78") | 42H8 (1.65") | 8xM12x30 (0.31"xM12x1.18") |
| VS6DW110FG84 | G3/4" | 163 (6.42") | 110 (4.33") | 116 (4.56") | 165 (6.49") | 12 (0.47") | 45.3 (1.78") | 42H8 (1.65") | 8xM12x30 (0.31"xM12x1.18") |
| VS8DW85FG7 | G1" | 138 (5.43") | 85 (3.34") | 94.5 (3.72") | 130 (5.12") | 10 (0.39") | 38.3 (1.51") | 35H8 (1.37") | 4xM10x18 (0.16"xM10x0.71") |
| VS8DW85FG14 | G1" | 138 (5.43") | 85 (3.34") | 94.5 (3.72") | 130 (5.12") | 10 (0.39") | 38.3 (1.51") | 35H8 (1.37") | 4xM10x18 (0.16"xM10x0.71") |
| VS8DW110FG30 | G1" | 163 (6.42") | 110 (4.33") | 116 (4.56") | 165 (6.49") | 12 (0.47") | 45.3 (1.78") | 42H8 (1.65") | 8xM12x30 (0.31"xM12x1.18") |
| VS8DW110FG45 | G1" | 163 (6.42") | 110 (4.33") | 116 (4.56") | 165 (6.49") | 12 (0.47") | 45.3 (1.78") | 42H8 (1.65") | 8xM12x30 (0.31"xM12x1.18") |
| VS8DW110FG64 | G1" | 163 (6.42") | 110 (4.33") | 116 (4.56") | 165 (6.49") | 12 (0.47") | 45.3 (1.78") | 42H8 (1.65") | 8xM12x30 (0.31"xM12x1.18") |
| VS10DW85FG7 | G 1 1/4" | 138 (5.43") | 85 (3.34") | 94.5 (3.72") | 130 (5.12") | 10 (0.39") | 38.3 (1.51") | 35H8 (1.37") | 4xM10x18 (0.16"xM10x0.71") |
| VS10DW110FG16 | G 1 1/4" | 163 (6.42") | 110 (4.33") | 116 (4.56") | 165 (6.49") | 12 (0.47") | 45.3 (1.78") | 42H8 (1.65") | 8xM12x30 (0.31"xM12x1.18") |
| VS10DW110FG23 | G 1 1/4" | 163 (6.42") | 110 (4.33") | 116 (4.56") | 165 (6.49") | 12 (0.47") | 45.3 (1.78") | 42H8 (1.65") | 8xM12x30 (0.31"xM12x0.67") |

DIMENSIONS GLOBE VANE AIR MOTORS WORM GEARBOX - FOOT MODEL

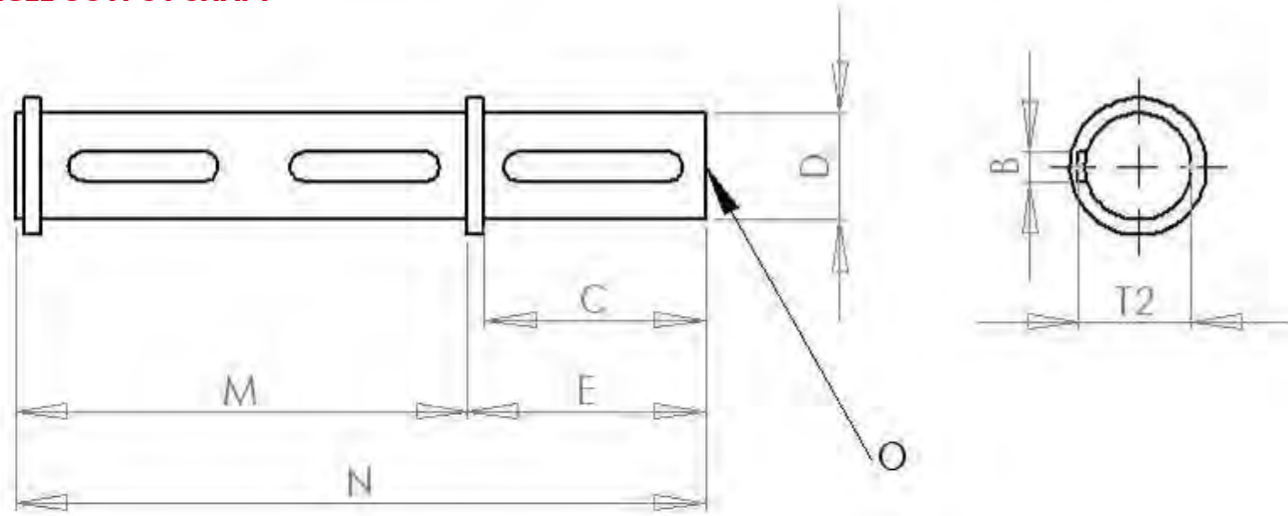


| Ordering Code | A | B | C | D | E | F | G | H | J |
|----------------------|-------------|-------------|--------------|------------|-------------|-------------|-------------|--------------|-------------|
| VS4DW63BG7 | 160 (6.29") | 120 (4.72") | 25H8 (0.98") | 4 (0.16") | 110 (4.33") | 5 (0.19") | 79 (3.11") | 203 (7.99") | 55 (2.16") |
| VS4DW63BG15 | 160 (6.29") | 120 (4.72") | 25H8 (0.98") | 4 (0.16") | 110 (4.33") | 5 (0.19") | 79 (3.11") | 203 (7.99") | 55 (2.16") |
| VS4DW63BG30 | 160 (6.29") | 120 (4.72") | 25H8 (0.98") | 4 (0.16") | 110 (4.33") | 5 (0.19") | 79 (3.11") | 203 (7.99") | 55 (2.16") |
| VS4DW63BG45 | 160 (6.29") | 120 (4.72") | 25H8 (0.98") | 4 (0.16") | 110 (4.33") | 5 (0.19") | 79 (3.11") | 203 (7.99") | 55 (2.16") |
| VS4DW85BG67 | 160 (6.29") | 135 (5.31") | 35H8 (1.37") | 5 (0.19") | 145 (5.71") | 3.5 (0.14") | 98 (3.86") | 227 (8.94") | 55 (2.16") |
| VS4DW85BG74 | 160 (6.29") | 135 (5.31") | 35H8 (1.37") | 5 (0.19") | 145 (5.71") | 3.5 (0.14") | 98 (3.86") | 227 (8.94") | 55 (2.16") |
| VS6DW63BG7 | 200 (7.87") | 120 (4.72") | 25H8 (0.98") | 4 (0.16") | 110 (4.33") | 5 (0.19") | 79 (3.11") | 252 (9.92") | 78 (3.07") |
| VS6DW63BG15 | 200 (7.87") | 120 (4.72") | 25H8 (0.98") | 4 (0.16") | 110 (4.33") | 5 (0.19") | 79 (3.11") | 252 (9.92") | 78 (3.07") |
| VS6DW85BG28 | 200 (7.87") | 135 (5.31") | 35H8 (1.37") | 5 (0.19") | 145 (5.71") | 3.5 (0.14") | 98 (3.86") | 276 (10.86") | 78 (3.07") |
| VS6DW85BG46 | 200 (7.87") | 135 (5.31") | 35H8 (1.37") | 5 (0.19") | 145 (5.71") | 3.5 (0.14") | 98 (3.86") | 276 (10.86") | 78 (3.07") |
| VS6DW110BG64 | 200 (7.87") | 155 (6.10") | 42H8 (1.65") | 22 (0.86") | 180 (7.10") | 3.5 (0.14") | 118 (4.64") | 296 (11.65") | 78 (3.07") |
| VS6DW110BG84 | 200 (7.87") | 155 (6.10") | 42H8 (1.65") | 22 (0.86") | 180 (7.10") | 3.5 (0.14") | 118 (4.64") | 296 (11.65") | 78 (3.07") |
| VS8DW85BG7 | 200 (7.87") | 135 (5.31") | 35H8 (1.37") | 5 (0.19") | 145 (5.71") | 3.5 (0.14") | 98 (3.86") | 279 (10.98") | 84 (3.31") |
| VS8DW85BG14 | 200 (7.87") | 135 (5.31") | 35H8 (1.37") | 5 (0.19") | 145 (5.71") | 3.5 (0.14") | 98 (3.86") | 279 (10.98") | 84 (3.31") |
| VS8DW110BG30 | 200 (7.87") | 155 (6.10") | 42H8 (1.65") | 22 (0.86") | 180 (7.10") | 3.5 (0.14") | 118 (4.64") | 299 (11.77") | 84 (3.31") |
| VS8DW110BG45 | 200 (7.87") | 155 (6.10") | 42H8 (1.65") | 22 (0.86") | 180 (7.10") | 3.5 (0.14") | 118 (4.64") | 299 (11.77") | 84 (3.31") |
| VS8DW110BG64 | 200 (7.87") | 155 (6.10") | 42H8 (1.65") | 22 (0.86") | 180 (7.10") | 3.5 (0.14") | 118 (4.64") | 299 (11.77") | 84 (3.31") |
| VS10DW85BG7 | 250 (9.84") | 135 (5.31") | 35H8 (1.37") | 5 (0.19") | 145 (5.71") | 3.5 (0.14") | 98 (3.86") | 349 (13.74") | 126 (4.96") |
| VS10DW110BG16 | 250 (9.84") | 155 (6.10") | 42H8 (1.65") | 22 (0.86") | 180 (7.10") | 3.5 (0.14") | 118 (4.64") | 369 (14.53") | 126 (4.96") |
| VS10DW110BG23 | 250 (9.84") | 155 (6.10") | 42H8 (1.65") | 22 (0.86") | 180 (7.10") | 3.5 (0.14") | 118 (4.64") | 369 (14.53") | 126 (4.96") |

| Ordering Code | K | L | M | N | O | P | Q | R | S | T |
|----------------------|----------|-------------|-------------|-------------|--------------|-------------|-------------|------------|--------------|--------------|
| VS4DW63FG7 | G1/2" | 100 (3.94") | 63 (2.48") | 100 (3.94") | 10,5 (0.41") | 95 (3.74") | 133 (5.23") | 8 (0.31") | 28.3 (1.11") | 25H8 (0.98") |
| VS4DW63FG15 | G1/2" | 100 (3.94") | 63 (2.48") | 100 (3.94") | 10,5 (0.41") | 95 (3.74") | 133 (5.23") | 8 (0.31") | 28.3 (1.11") | 25H8 (0.98") |
| VS4DW63FG30 | G1/2" | 100 (3.94") | 63 (2.48") | 100 (3.94") | 10,5 (0.41") | 95 (3.74") | 133 (5.23") | 8 (0.31") | 28.3 (1.11") | 25H8 (0.98") |
| VS4DW63FG45 | G1/2" | 100 (3.94") | 63 (2.48") | 100 (3.94") | 10,5 (0.41") | 95 (3.74") | 133 (5.23") | 8 (0.31") | 28.3 (1.11") | 25H8 (0.98") |
| VS4DW85FG67 | G1/2" | 138 (5.43") | 85 (3.34") | 142 (5.60") | 10,5 (0.41") | 140 (5.51") | 180 (7.10") | 10 (0.39") | 38.3 (1.51") | 35H8 (1.37") |
| VS4DW85FG74 | G1/2" | 138 (5.43") | 85 (3.34") | 142 (5.60") | 10,5 (0.41") | 140 (5.51") | 180 (7.10") | 10 (0.39") | 38.3 (1.51") | 35H8 (1.37") |
| VS6DW63FG7 | G3/4" | 100 (3.94") | 63 (2.48") | 100 (3.94") | 10,5 (0.41") | 95 (3.74") | 133 (5.23") | 8 (0.31") | 28.3 (1.11") | 25H8 (0.98") |
| VS6DW63FG15 | G3/4" | 100 (3.94") | 63 (2.48") | 100 (3.94") | 10,5 (0.41") | 95 (3.74") | 133 (5.23") | 8 (0.31") | 28.3 (1.11") | 25H8 (0.98") |
| VS6DW85FG28 | G3/4" | 138 (5.43") | 85 (3.34") | 142 (5.60") | 10,5 (0.41") | 140 (5.51") | 180 (7.10") | 10 (0.39") | 38.3 (1.51") | 35H8 (1.37") |
| VS6DW85FG46 | G3/4" | 138 (5.43") | 85 (3.34") | 142 (5.60") | 10,5 (0.41") | 140 (5.51") | 180 (7.10") | 10 (0.39") | 38.3 (1.51") | 35H8 (1.37") |
| VS6DW110FG64 | G3/4" | 163 (6.42") | 110 (4.33") | 170 (6.70") | 13 (0.51") | 200 (7.87") | 240 (9.45") | 12 (0.47") | 45.3 (1.78") | 42H8 (1.65") |
| VS6DW110FG84 | G3/4" | 163 (6.42") | 110 (4.33") | 170 (6.70") | 13 (0.51") | 200 (7.87") | 240 (9.45") | 12 (0.47") | 45.3 (1.78") | 42H8 (1.65") |
| VS8DW85FG7 | G1" | 138 (5.43") | 85 (3.34") | 142 (5.60") | 10,5 (0.41") | 140 (5.51") | 180 (7.10") | 10 (0.39") | 38.3 (1.51") | 35H8 (1.37") |
| VS8DW85FG14 | G1" | 138 (5.43") | 85 (3.34") | 142 (5.60") | 10,5 (0.41") | 140 (5.51") | 180 (7.10") | 10 (0.39") | 38.3 (1.51") | 35H8 (1.37") |
| VS8DW110FG30 | G1" | 163 (6.42") | 110 (4.33") | 170 (6.70") | 13 (0.51") | 200 (7.87") | 240 (9.45") | 12 (0.47") | 45.3 (1.78") | 42H8 (1.65") |
| VS8DW110FG45 | G1" | 163 (6.42") | 110 (4.33") | 170 (6.70") | 13 (0.51") | 200 (7.87") | 240 (9.45") | 12 (0.47") | 45.3 (1.78") | 42H8 (1.65") |
| VS8DW110FG64 | G1" | 163 (6.42") | 110 (4.33") | 170 (6.70") | 13 (0.51") | 200 (7.87") | 240 (9.45") | 12 (0.47") | 45.3 (1.78") | 42H8 (1.65") |
| VS10DW85FG7 | G 1 1/4" | 138 (5.43") | 85 (3.34") | 142 (5.60") | 10,5 (0.41") | 140 (5.51") | 180 (7.10") | 10 (0.39") | 38.3 (1.51") | 35H8 (1.37") |
| VS10DW110FG16 | G 1 1/4" | 163 (6.42") | 110 (4.33") | 170 (6.70") | 13 (0.51") | 200 (7.87") | 240 (9.45") | 12 (0.47") | 45.3 (1.78") | 42H8 (1.65") |
| VS10DW110FG23 | G 1 1/4" | 163 (6.42") | 110 (4.33") | 170 (6.70") | 13 (0.51") | 200 (7.87") | 240 (9.45") | 12 (0.47") | 45.3 (1.78") | 42H8 (1.65") |

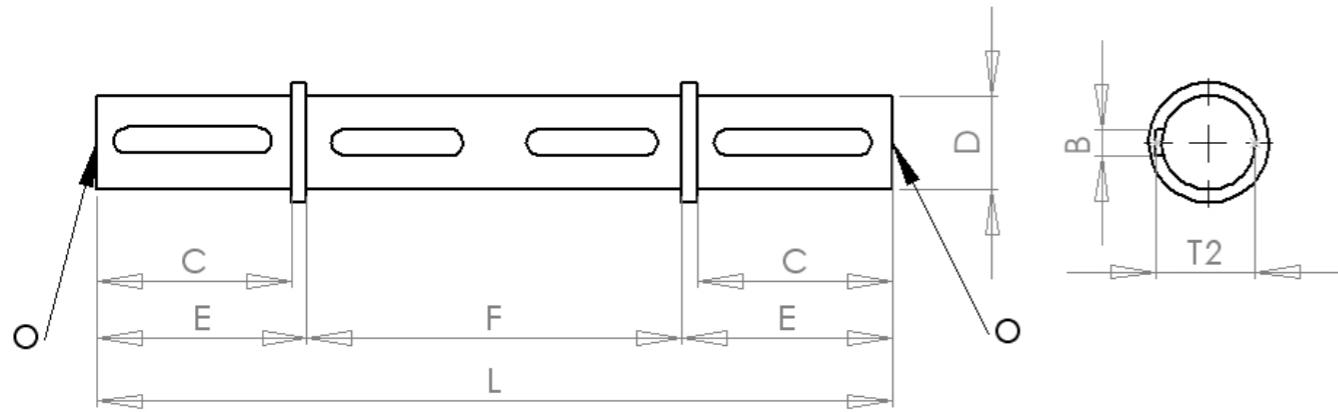
DIMENSIONS OUTPUT SHAFT FOR WORM GEARS (OPTIONAL)

SINGLE OUTPUT SHAFT



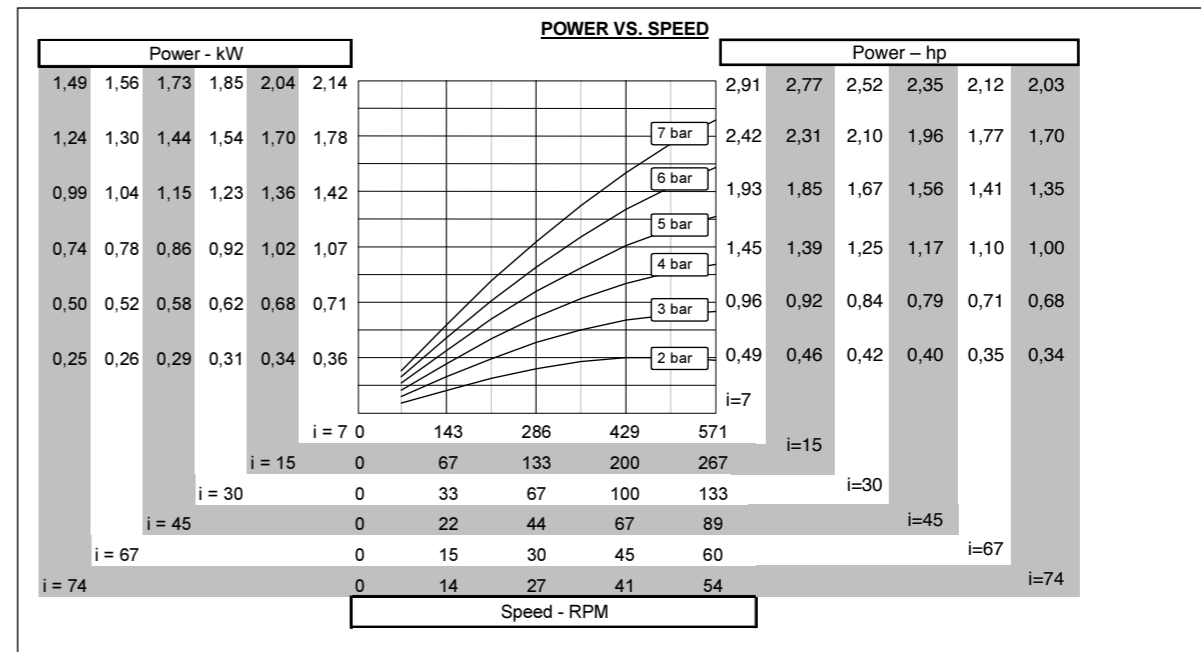
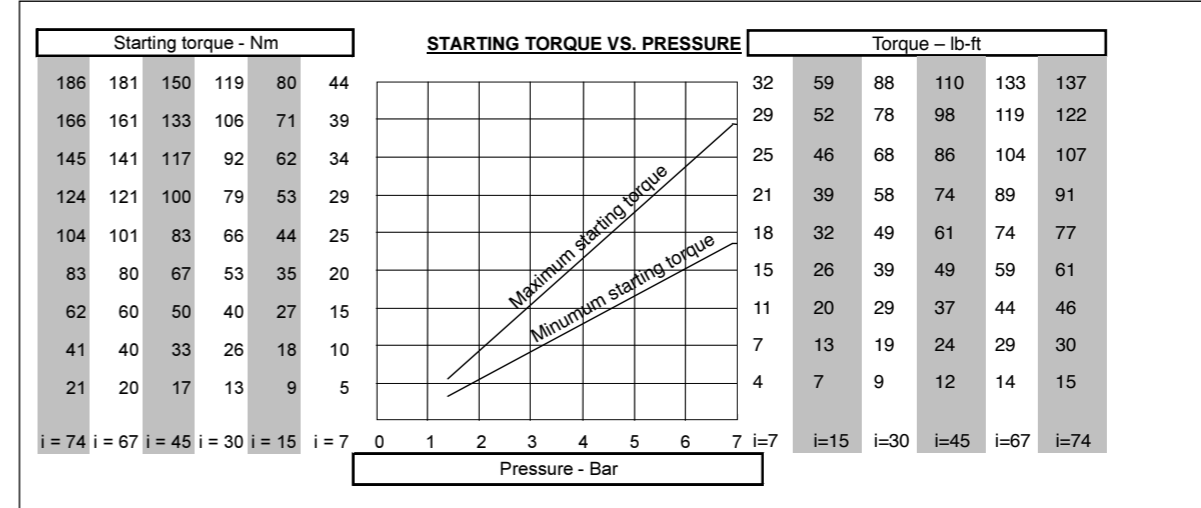
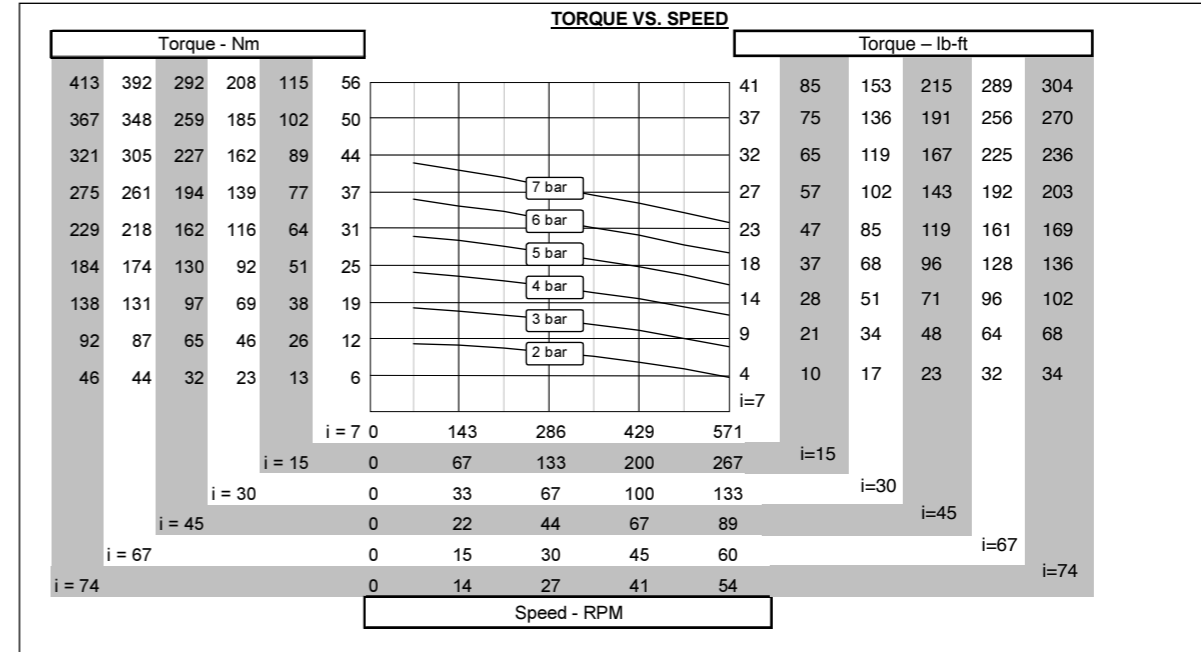
| Size gearbox | B | C | D | E | M | N | O | T2 |
|--------------|------------|------------|------------|--------------|---------------|--------------|----------------|--------------|
| 063 | 8 (0.31") | 60 (2.36") | 25 (0.98") | 63 (2.48") | 127 (5.00") | 190 (7.48") | M8x20 (0.79") | 28.3 (1.11") |
| 085 | 10 (0.39") | 60 (2.36") | 35 (1.38") | 73.5 (2.89") | 140 (5.51") | 214 (8.42") | M10x23 (0.90") | 38.3 (1.51") |
| 110 | 12 (0.47") | 75 (2.95") | 42 (1.65") | 96.5 (3.80") | 163.5 (6.43") | 260 (10.23") | M12x32 (1.26") | 45.3 (1.78") |

DOUBLE OUTPUT SHAFT

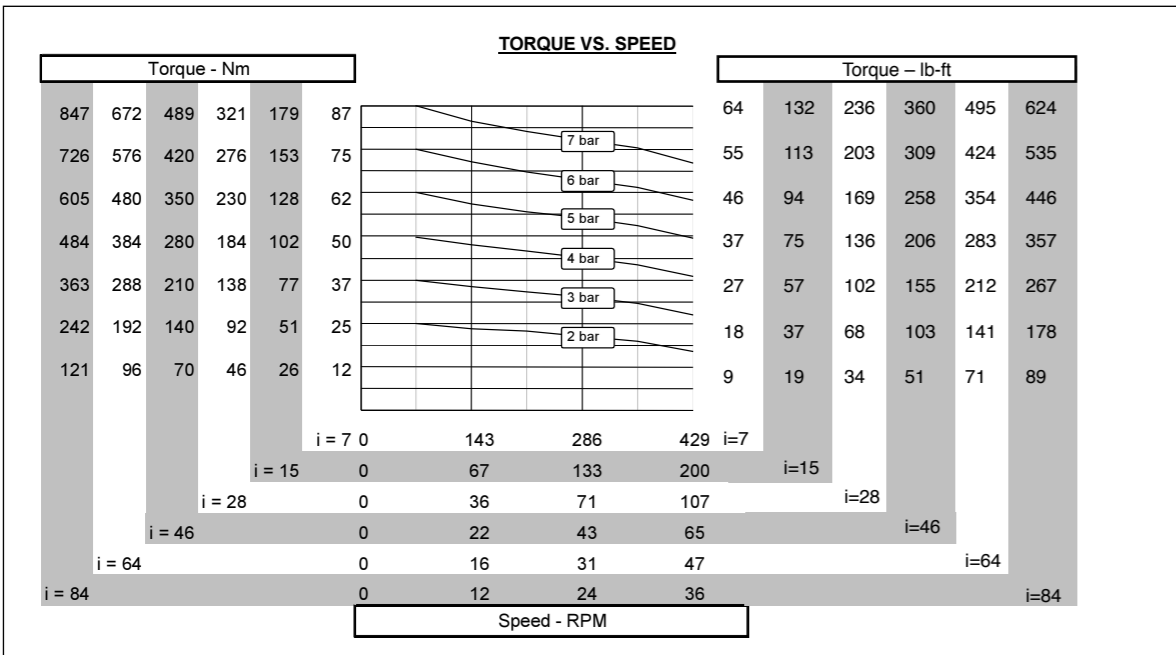


| Size gearbox | B | C | D | E | F | L | O | T2 |
|--------------|------------|------------|------------|--------------|-------------|---------------|----------------|--------------|
| 063 | 8 (0.31") | 60 (2.36") | 25 (0.98") | 63 (2.48") | 120 (4.72") | 246,4 (9.70") | M8x20 (0.79") | 28.3 (1.11") |
| 085 | 10 (0.39") | 60 (2.36") | 35 (1.38") | 73.5 (2.89") | 135 (5.31") | 282 (11.10") | M10x23 (0.90") | 38.3 (1.51") |
| 110 | 12 (0.47") | 75 (2.95") | 42 (1.65") | 96.5 (3.80") | 155 (6.10") | 348 (13.70") | M12x32 (1.26") | 45.3 (1.78") |

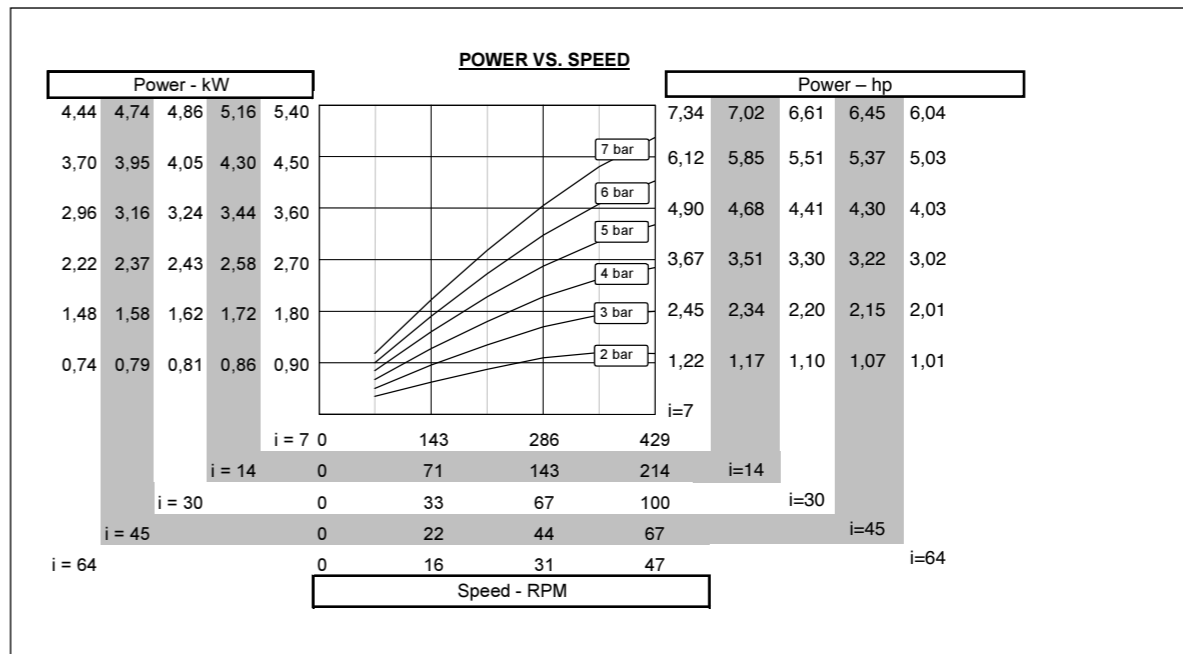
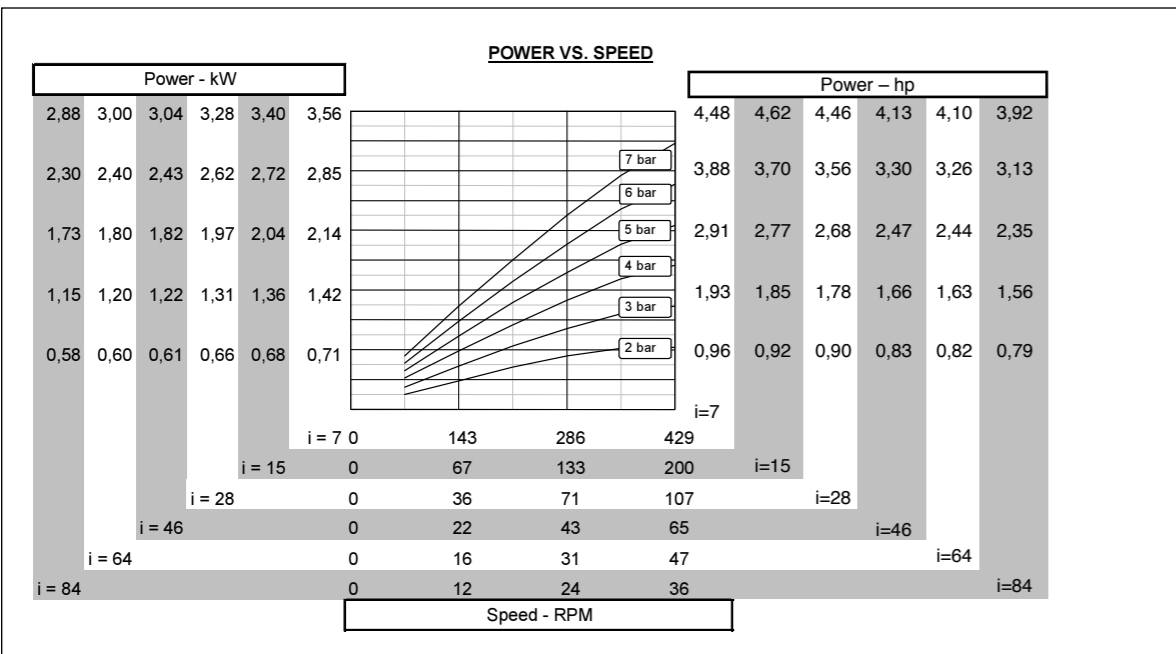
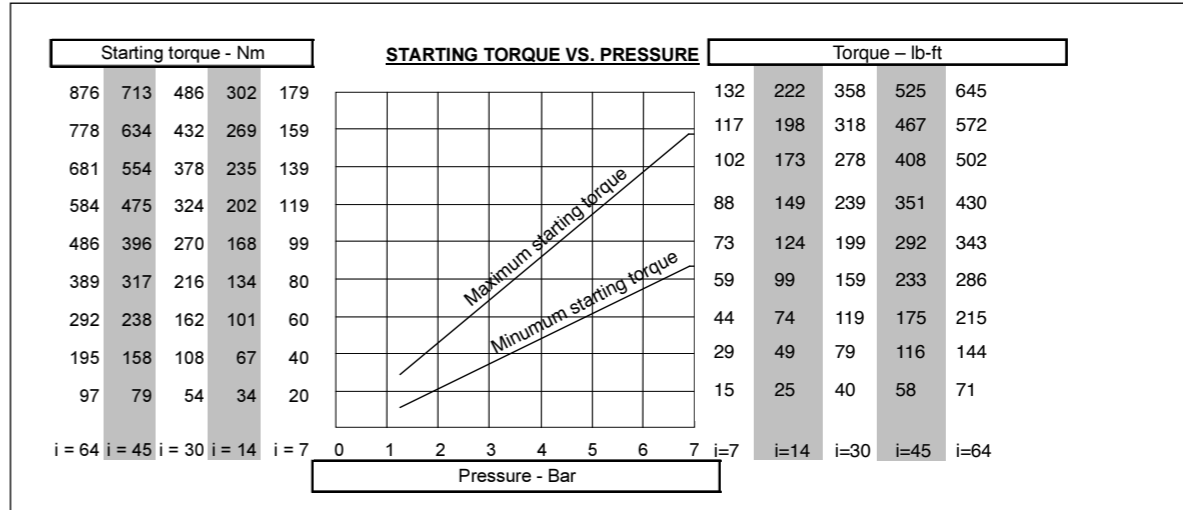
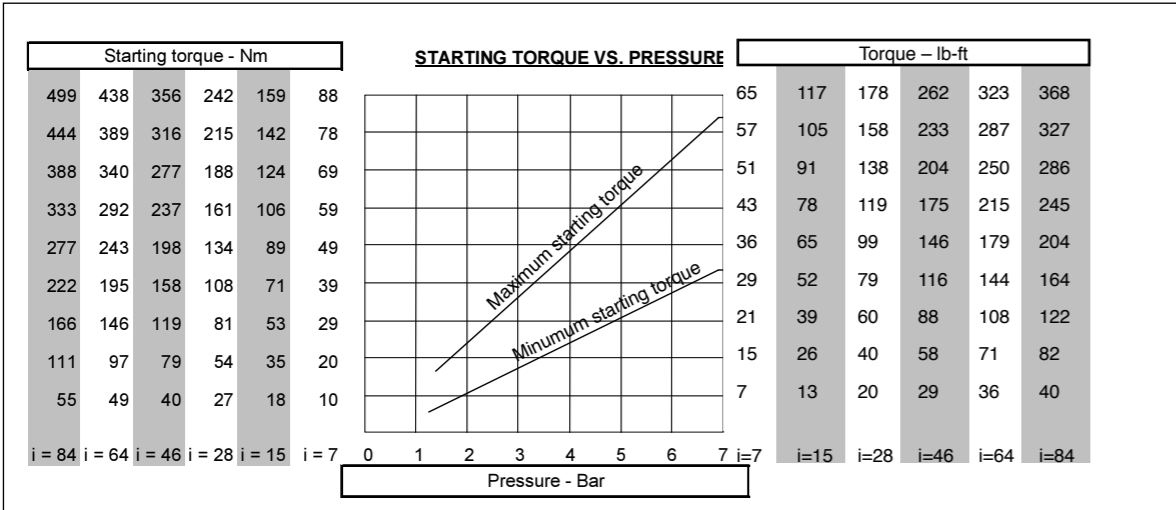
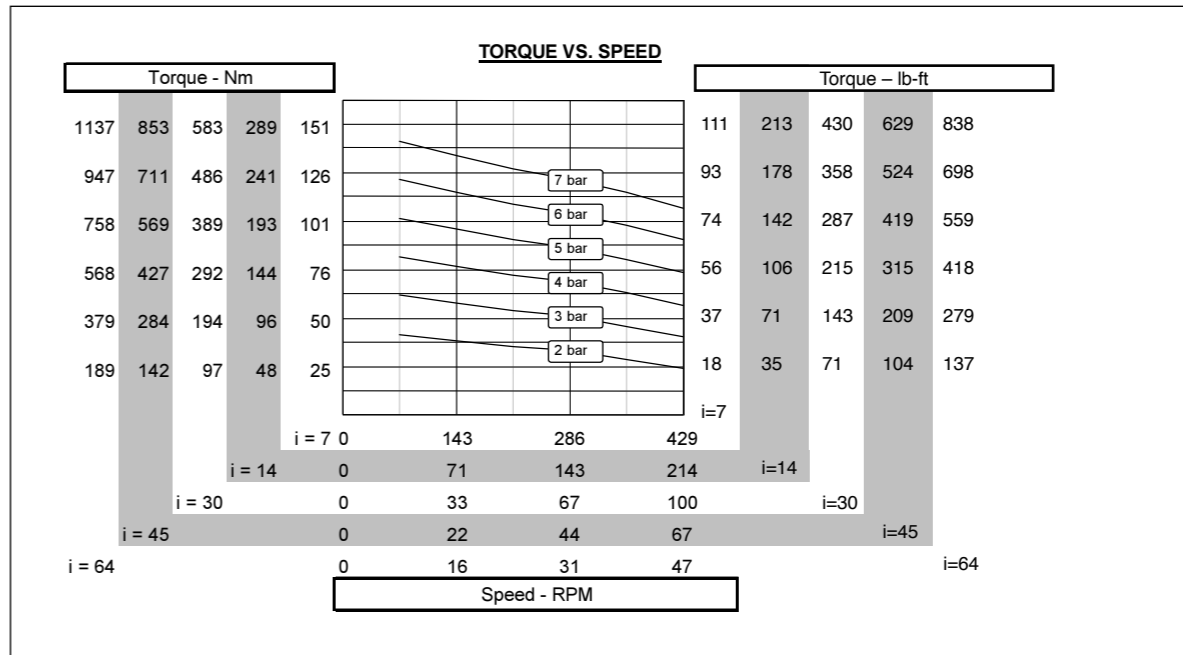
PERFORMANCES GLOBE VS4C AIR MOTOR WORM GEARBOX



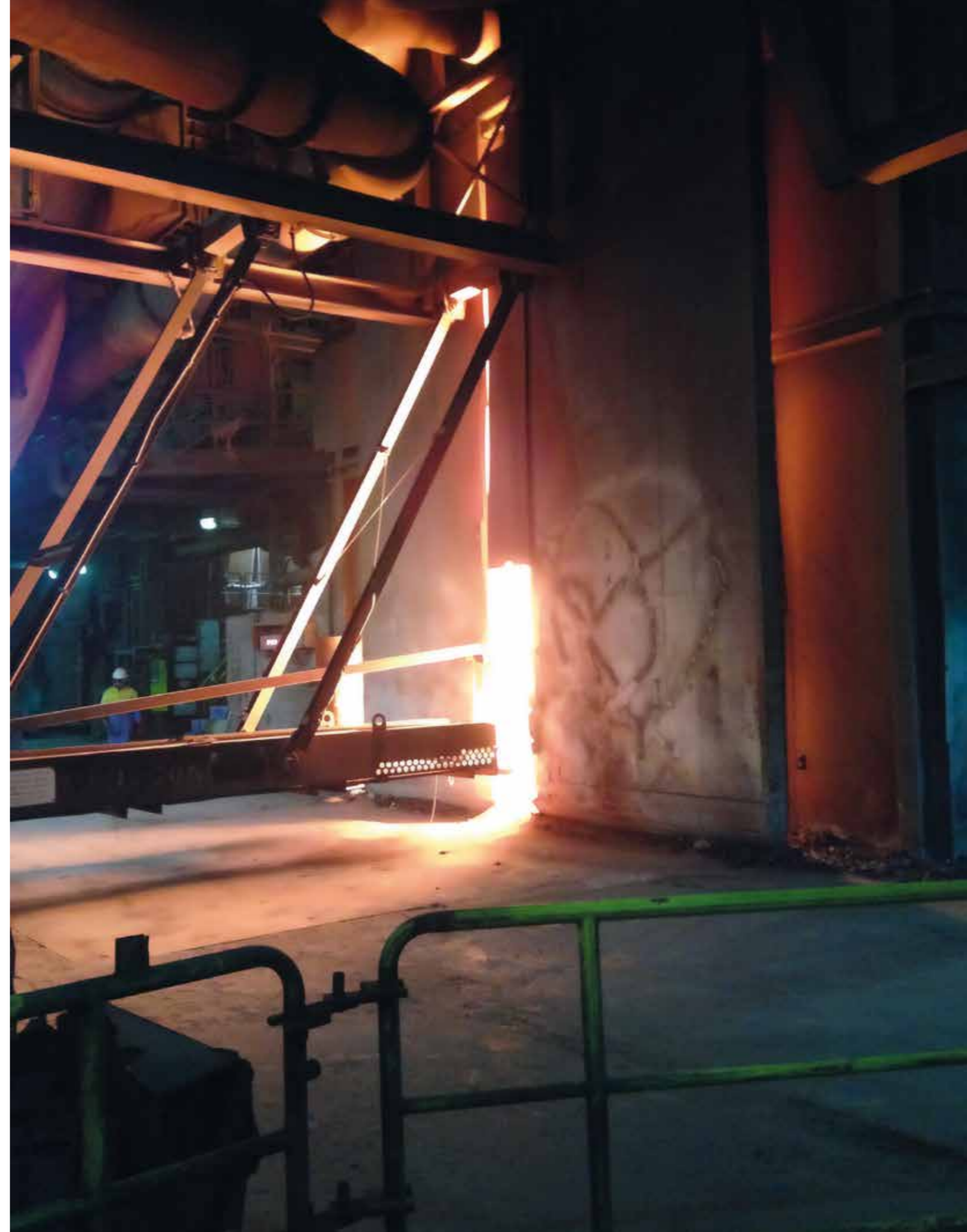
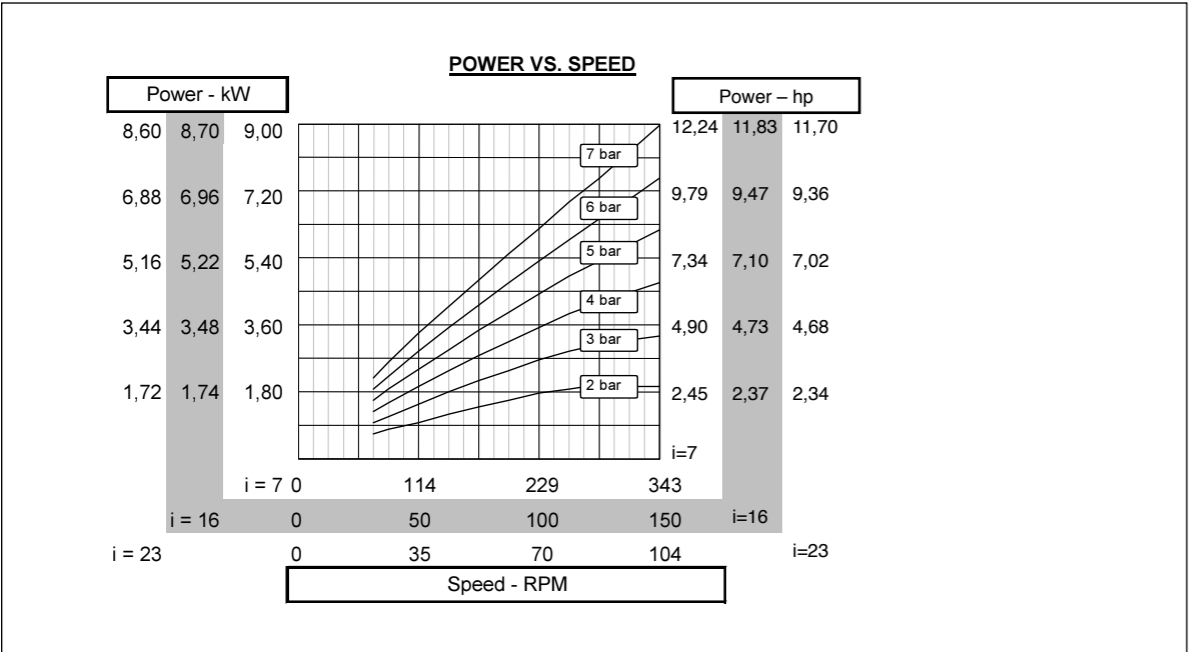
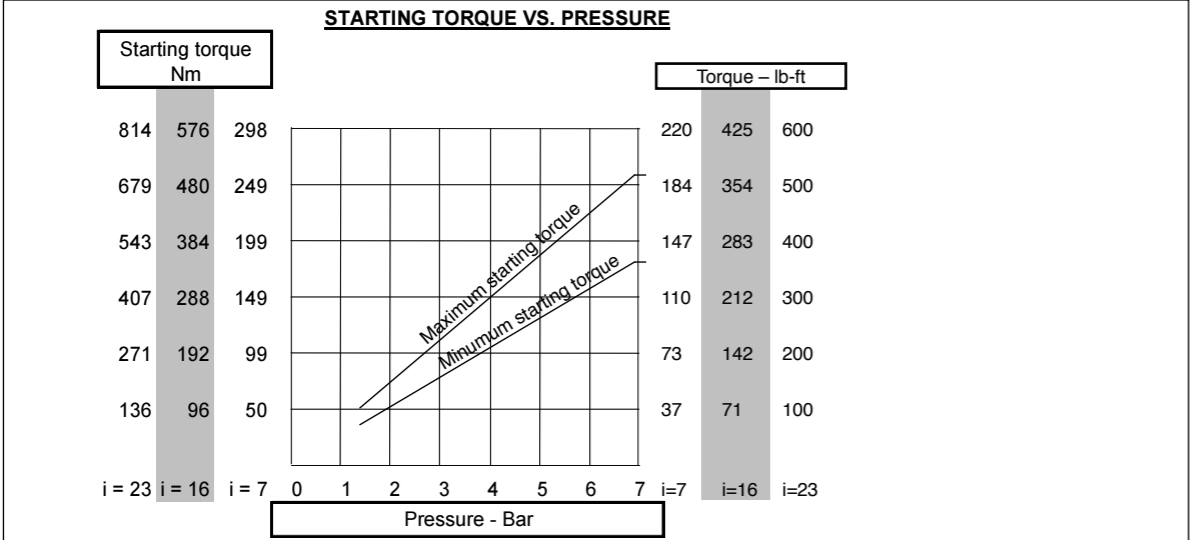
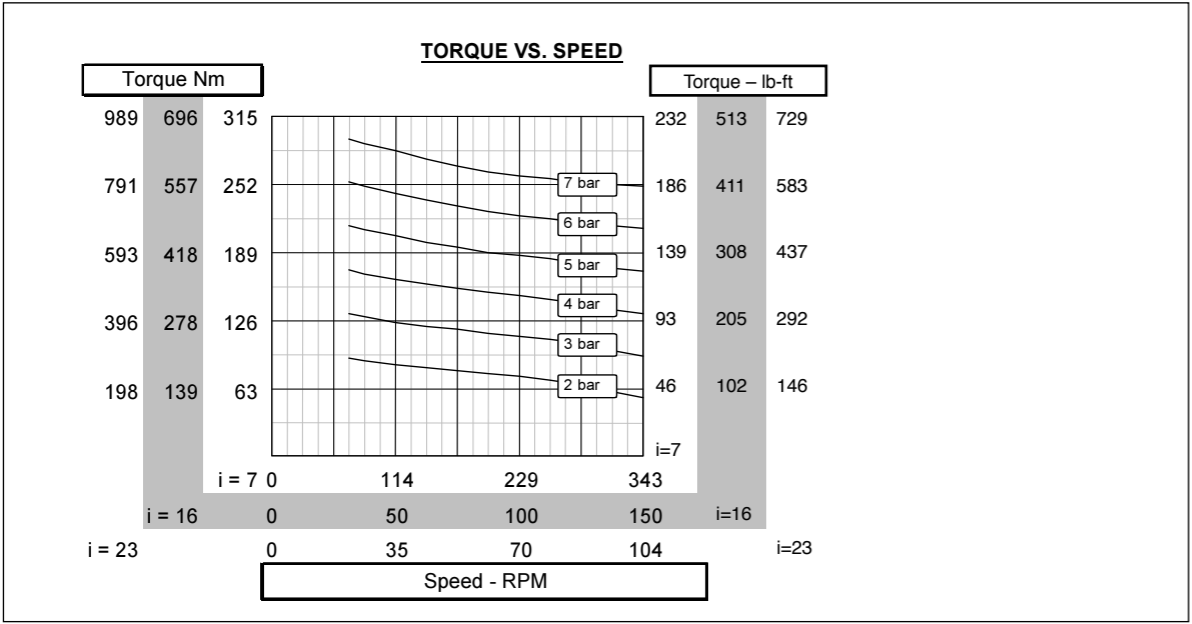
PERFORMANCES GLOBE VS6C AIR MOTOR WORM GEARBOX



PERFORMANCES GLOBE VS8C AIR MOTOR WORM GEARBOX



PERFORMANCES GLOBE VS10C AIR MOTOR WORM GEARBOX



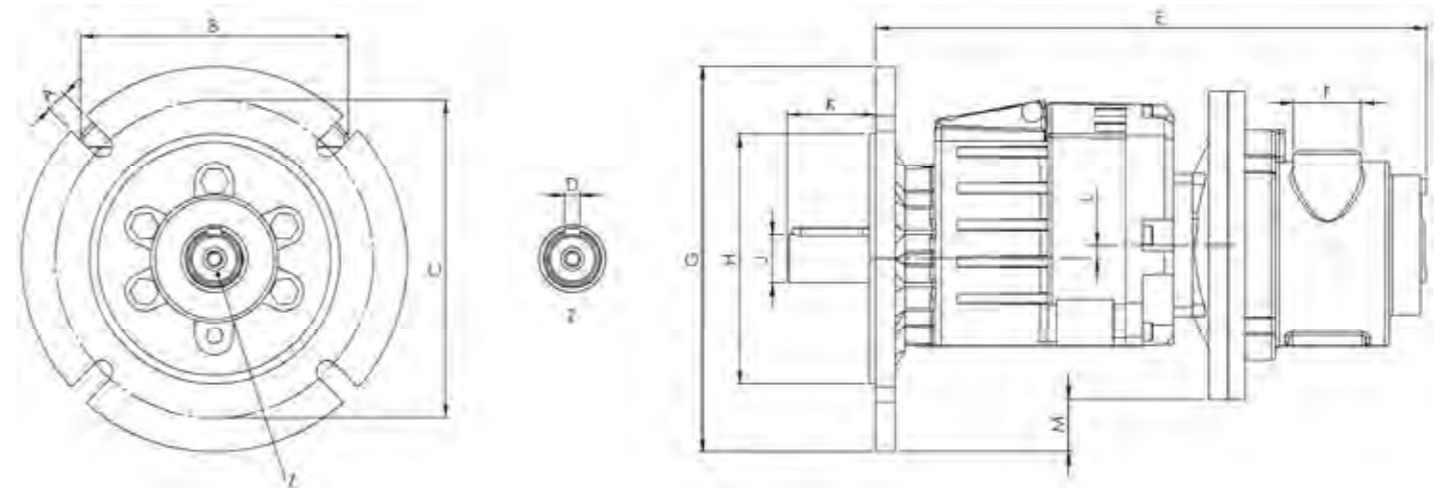
PERFORMANCE GLOBE VANE AIR MOTORS WITH COAXIAL GEARS

| Ordering code flange model | Ordering code foot model | i | Power* (kW / hp) | Max. rpm** | Nominal torque (Nm / lb-ft) | Min. starting torque (Nm / lb-ft) | Weight flange model (Kg / lb) | Weight foot model (Kg / lb) |
|-----------------------------------|-----------------------------|----|---------------------|---------------|-----------------------------------|--|--|--------------------------------------|
| GLOBE V4 + coaxial gear | | | | | | | | |
| VS4DA402FG10 | VS4DA402BG10 | 10 | 1.5kW / 2.0hp | 300 | 48Nm / 35lb-ft | 42Nm / 31lb-ft | 15Kg / 33lb | 15Kg / 33lb |
| VS4DA402FG22 | VS4DA402BG22 | 22 | 1.5kW / 2.0hp | 136 | 106Nm / 78lb-ft | 92Nm / 68lb-ft | 15Kg / 33lb | 15Kg / 33lb |
| VS4DC402FG29 | VS4DA402BG29 | 29 | 1.5kW / 2.0hp | 103 | 139Nm / 102lb-ft | 122Nm / 90lb-ft | 15Kg / 33lb | 15Kg / 33lb |
| VS4DC402FG38 | VS4DA402BG38 | 38 | 1.5kW / 2.0hp | 79 | 182Nm / 134lb-ft | 160Nm / 118lb-ft | 15Kg / 33lb | 15Kg / 33lb |
| VS4DC403FG51 | VS4DA403BG51 | 51 | 1.5kW / 2.0hp | 59 | 245Nm / 181lb-ft | 214Nm / 158lb-ft | 15Kg / 33lb | 15Kg / 33lb |
| GLOBE V6 + coaxial gear | | | | | | | | |
| VS6DA402FG10 | VS6DA402BG10 | 10 | 2.9kW / 3.9hp | 300 | 92Nm / 68lb-ft | 75Nm / 55lb-ft | 21Kg / 46lb | 21Kg / 46lb |
| VS6DA402FG22 | VS6DA402BG22 | 22 | 2.9kW / 3.9hp | 136 | 202Nm / 149lb-ft | 165Nm / 122lb-ft | 21Kg / 46lb | 21Kg / 46lb |
| VS6DA602FG29 | VS6DA602BG29 | 29 | 2.9kW / 3.9hp | 103 | 267Nm / 197lb-ft | 218Nm / 161lb-ft | 34Kg / 75lb | 33Kg / 72,6lb |
| VS6DA602FG40 | VS6DA602BG40 | 40 | 2.9kW / 3.9hp | 75 | 368Nm / 271lb-ft | 300Nm / 221lb-ft | 34Kg / 75lb | 33Kg / 72,6lb |
| VS6DA603FG55 | VS6DA603BG55 | 55 | 2.9kW / 3.9hp | 60 | 460Nm / 339lb-ft | 375Nm / 276lb-ft | 50Kg / 110lb | 48Kg / 105,6lb |
| GLOBE V8 + coaxial gear | | | | | | | | |
| VS8DA602FG10 | VS8DA602BG10 | 10 | 4.5kW / 6.1hp | 300 | 145Nm / 107lb-ft | 150Nm / 111lb-ft | 23Kg / 50,6lb | 22Kg / 48,4lb |
| VS8DA602FG20 | VS8DA602BG20 | 20 | 4.5kW / 6.1hp | 150 | 290Nm / 214lb-ft | 300Nm / 221lb-ft | 36Kg / 79,2lb | 34Kg / 74,8lb |
| VS8DA602FG30 | VS8DA602BG30 | 30 | 4.5kW / 6.1hp | 100 | 435Nm / 321lb-ft | 450Nm / 332lb-ft | 50kg / 110lb | 48Kg / 105,6lb |
| GLOBE V8 + planetary gear | | | | | | | | |
| VS8EPFG300FG42 | VS8EPFG300BG42 | 42 | 4.5kW / 6.1hp | 71 | 609Nm / 449lb-ft | 630Nm / 464lb-ft | 39Kg / 85,8lb | 44Kg / 96,8lb |
| VS8EPFG300FG52 | VS8EPFG300BG52 | 52 | 4.5kW / 6.1hp | 55 | 754Nm / 556lb-ft | 720Nm / 531lb-ft | 39Kg / 85,8lb | 44Kg / 96,8lb |
| GLOBE V10 + planetary gear | | | | | | | | |
| VS10EPFG301FG20 | VS10EPFG301BG20 | 20 | 8.3kW / 11.3hp | 120 | 660Nm / 486lb-ft | 600Nm / 442lb-ft | 52Kg / 114,4lb | 57Kg / 125,4lb |
| VS10EPFG301FG31 | VS10EPFG301BG31 | 31 | 8.3kW / 11.3hp | 77 | 1023Nm / 754lb-ft | 930Nm / 685lb-ft | 52Kg / 114,4lb | 57Kg / 125,4lb |
| VS10EPFG301FG42 | VS10EPFG301BG42 | 42 | 8.3kW / 11.3hp | 57 | 1386Nm / 1021lb-ft | 1260Nm / 925lb-ft | 52Kg / 114,4lb | 57Kg / 125,4lb |
| VS10EPFG301FG52 | VS10EPFG301BG52 | 52 | 8.3kW / 11.3hp | 46 | 1716Nm / 1265lb-ft | 1560Nm / 1150lb-ft | 52Kg / 114,4lb | 57Kg / 125,4lb |

* Power and nominal torque at 6 bar and motor input speed of 3000 rpm (V4, V6, V8) and 2400 rpm (V10).

** In applications where the motor input speed exceeds 2200 rpm, only intermittent use is tolerated.

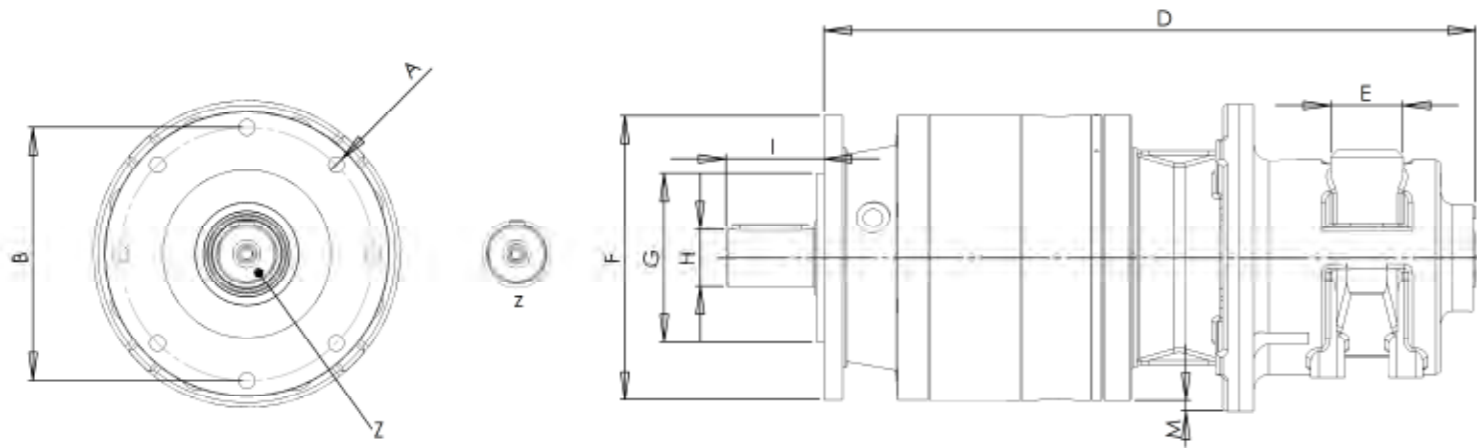
DIMENSIONS GLOBE VANE AIR MOTORS WITH COAXIAL GEARS - FLANGE MODEL



| Ordering code | A | B | C | D | E | F |
|---------------------|-------------|-------------|--------------|-----------|--------------|-------|
| VS4DA402FG10 | 11 (0.43") | 139 (5.47") | Ø165 (6.49") | 8 (0.31") | 283 (9.37") | G1/2" |
| VS4DA402FG22 | 11 (0.43") | 139 (5.47") | Ø165 (6.49") | 8 (0.31") | 283 (9.37") | G1/2" |
| VS4DA402FG29 | 11 (0.43") | 139 (5.47") | Ø165 (6.49") | 8 (0.31") | 283 (9.37") | G1/2" |
| VS4DA402FG38 | 11 (0.43") | 139 (5.47") | Ø165 (6.49") | 8 (0.31") | 283 (9.37") | G1/2" |
| VS4DA403FG51 | 11 (0.43") | 139 (5.47") | Ø165 (6.49") | 8 (0.31") | 288 (11.33") | G1/2" |
| VS6DA402FG10 | Ø14 (0.55") | 139 (5.47") | Ø215 (8.46") | 8 (0.31") | 337 (13.26") | G3/4" |
| VS6DA402FG22 | Ø14 (0.55") | 139 (5.47") | Ø215 (8.46") | 8 (0.31") | 337 (13.26") | G3/4" |
| VS6DA602FG29 | Ø14 (0.55") | 202 (7.95") | Ø215 (8.46") | 8 (0.31") | 401 (15.78") | G3/4" |
| VS6DA602FG40 | Ø14 (0.55") | 202 (7.95") | Ø215 (8.46") | 8 (0.31") | 401 (15.78") | G3/4" |
| VS6DA603FG55 | Ø14 (0.55") | 202 (7.95") | Ø215 (8.46") | 8 (0.31") | 408 (16.06") | G3/4" |
| VS8DA602FG10 | Ø14 (0.55") | 202 (7.95") | Ø164 (6.45") | 8 (0.31") | 404 (15.90") | G1" |
| VS8DA602FG20 | Ø14 (0.55") | 202 (7.95") | Ø164 (6.45") | 8 (0.31") | 404 (15.90") | G1" |
| VS8DA602FG30 | Ø14 (0.55") | 202 (7.95") | Ø164 (6.45") | 8 (0.31") | 404 (15.90") | G1" |

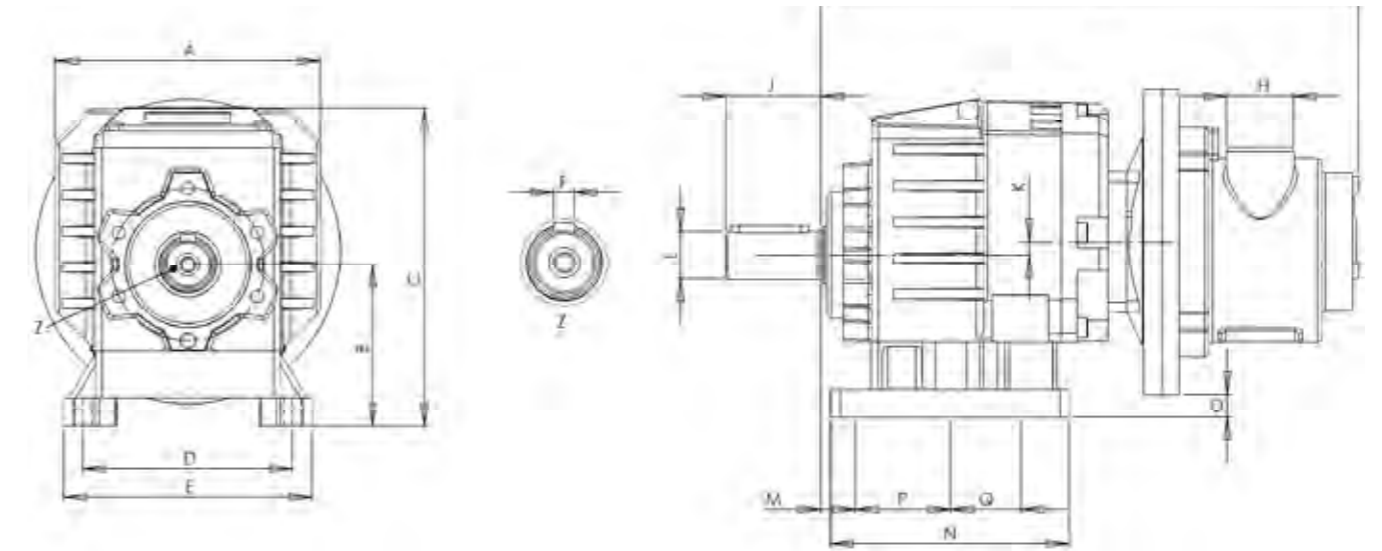
| Ordering code | G | H | J | K | L | M |
|---------------------|--------------|--------------|---------------|------------|------------|------------|
| VS4DA402FG10 | Ø200 (7.87") | Ø130 (5.12") | Ø25h6 (0.98") | 46 (1.81") | 7 (0.27") | 27 (1.06") |
| VS4DA402FG22 | Ø200 (7.87") | Ø130 (5.12") | Ø25h6 (0.98") | 46 (1.81") | 7 (0.27") | 27 (1.06") |
| VS4DA402FG29 | Ø200 (7.87") | Ø130 (5.12") | Ø25h6 (0.98") | 46 (1.81") | 7 (0.27") | 27 (1.06") |
| VS4DA402FG38 | Ø200 (7.87") | Ø130 (5.12") | Ø25h6 (0.98") | 46 (1.81") | 7 (0.27") | 27 (1.06") |
| VS4DA403FG51 | Ø200 (7.87") | Ø130 (5.12") | Ø25h6 (0.98") | 46 (1.81") | 3 (0.12") | 23 (0.90") |
| VS6DA402FG10 | Ø250 (9.84") | Ø180 (7.08") | Ø25h6 (0.98") | 46 (1.81") | 7 (0.27") | 32 (1.26") |
| VS6DA402FG22 | Ø250 (9.84") | Ø180 (7.08") | Ø25h6 (0.98") | 46 (1.81") | 7 (0.27") | 32 (1.26") |
| VS6DA602FG29 | Ø250 (9.84") | Ø180 (7.08") | Ø30h6 (1.18") | 58 (2.28") | 22 (0.86") | 47 (1.85") |
| VS6DA602FG40 | Ø250 (9.84") | Ø180 (7.08") | Ø30h6 (1.18") | 58 (2.28") | 22 (0.86") | 47 (1.85") |
| VS6DA603FG55 | Ø250 (9.84") | Ø180 (7.08") | Ø30h6 (1.18") | 58 (2.28") | 16 (0.63") | 41 (1.61") |
| VS8DA602FG10 | Ø200 (7.87") | Ø128 (5.04") | Ø30h6 (1.18") | 54 (2.12") | 22 (0.86") | 22 (0.86") |
| VS8DA602FG20 | Ø200 (7.87") | Ø128 (5.04") | Ø30h6 (1.18") | 54 (2.12") | 22 (0.86") | 22 (0.86") |
| VS8DA602FG30 | Ø200 (7.87") | Ø128 (5.04") | Ø30h6 (1.18") | 54 (2.12") | 22 (0.86") | 22 (0.86") |

DIMENSIONS GLOBE VANE AIR MOTORS WITH PLANETARY GEARS - FLANGE MODEL



| Ordering code | A | B | C | D | E | F | G | H | I |
|------------------------|------------------|-----------------|------------|-----------------|------|-----------------|-----------------|------------------|------------|
| VS8EPFG300FG42 | Ø10,5 (0.41") | Ø165 (6.49") | 10 (0.39") | 426 (16.77") | G1" | Ø185 (7.28") | Ø110 (4.33") | Ø38h6 (1.49") | 64 (2.52") |
| VS8EPFG300FG52 | Ø10,5 (0.41") | Ø165 (6.49") | 10 (0.39") | 426 (16.77") | G1" | Ø185 (7.28") | Ø110 (4.33") | Ø38h6 (1.49") | 64 (2.52") |
| VS10EPFG301FG20 | Ø10,5 (0.41") | Ø165 (6.49") | 10 (0.39") | 465 (18.30") | G1¼" | Ø250 (9.84") | Ø110 (4.33") | Ø38h6 (1.49") | 64 (2.52") |
| VS10EPFG301FG31 | Ø10,5 (0.41") | Ø165 (6.49") | 10 (0.39") | 465 (18.30") | G1¼" | Ø250 (9.84") | Ø110 (4.33") | Ø38h6 (1.49") | 64 (2.52") |
| VS10EPFG301FG42 | Ø10,5 (0.41") | Ø165 (6.49") | 10 (0.39") | 465 (18.30") | G1¼" | Ø250 (9.84") | Ø110 (4.33") | Ø38h6 (1.49") | 64 (2.52") |
| VS10EPFG301FG52 | Ø10,5 (0.41") | Ø165 (6.49") | 10 (0.39") | 465 (18.30") | G1¼" | Ø250 (9.84") | Ø110 (4.33") | Ø38h6 (1.49") | 64 (2.52") |

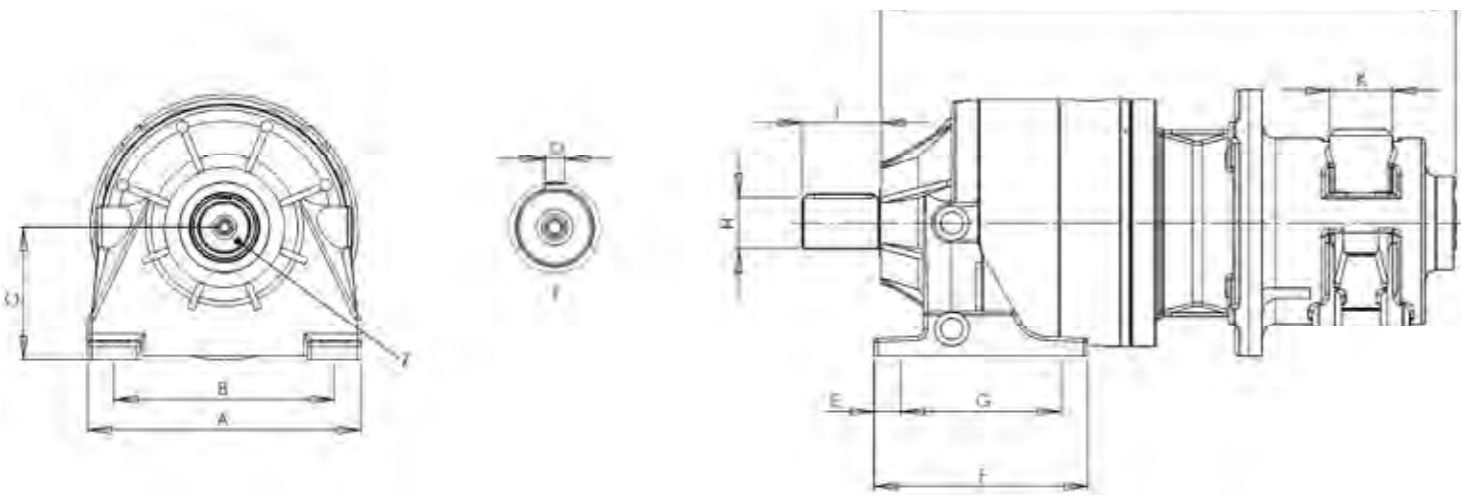
DIMENSIONS GLOBE VANE AIR MOTORS WITH COAXIAL GEARS - FOOT MODEL



| Motor + gear size | A | B | C | D | E | F | G | H |
|---------------------|-------------|-------------|-------------|-------------|-------------|-----------|--------------|-------|
| VS4DA402BG10 | 139 (5.47") | 85 (3.34") | 167 (6.57") | 110 (4.33") | 130 (5.12") | 8 (0.31") | 282 (11.10") | G1/2" |
| VS4DA402BG22 | 139 (5.47") | 85 (3.34") | 167 (6.57") | 110 (4.33") | 130 (5.12") | 8 (0.31") | 282 (11.10") | G1/2" |
| VS4DA402BG29 | 139 (5.47") | 85 (3.34") | 167 (6.57") | 110 (4.33") | 130 (5.12") | 8 (0.31") | 282 (11.10") | G1/2" |
| VS4DA402BG38 | 139 (5.47") | 85 (3.34") | 167 (6.57") | 110 (4.33") | 130 (5.12") | 8 (0.31") | 282 (11.10") | G1/2" |
| VS4DA403BG51 | 139 (5.47") | 85 (3.34") | 167 (6.57") | 110 (4.33") | 130 (5.12") | 8 (0.31") | 281 (11.06") | G1/2" |
| VS6DA402BG10 | 139 (5.47") | 85 (3.34") | 167 (6.57") | 110 (4.33") | 130 (5.12") | 8 (0.31") | 333 (13.11") | G3/4" |
| VS6DA402BG22 | 139 (5.47") | 85 (3.34") | 167 (6.57") | 110 (4.33") | 130 (5.12") | 8 (0.31") | 333 (13.11") | G3/4" |
| VS6DA602BG29 | 202 (7.95") | 130 (5.12") | 234 (9.21") | 180 (7.08") | 216 (8.50") | 8 (0.31") | 399 (15.71") | G3/4" |
| VS6DA602BG40 | 202 (7.95") | 130 (5.12") | 234 (9.21") | 180 (7.08") | 216 (8.50") | 8 (0.31") | 399 (15.71") | G3/4" |
| VS6DA603BG55 | 202 (7.95") | 130 (5.12") | 234 (9.21") | 180 (7.08") | 216 (8.50") | 8 (0.31") | 408 (16.06") | G3/4" |
| VS8DA602BG10 | 202 (7.95") | 130 (5.12") | 234 (9.21") | 180 (7.08") | 216 (8.50") | 8 (0.31") | 402 (15.83") | G1" |
| VS8DA602BG20 | 202 (7.95") | 130 (5.12") | 234 (9.21") | 180 (7.08") | 216 (8.50") | 8 (0.31") | 402 (15.83") | G1" |
| VS8DA602BG30 | 202 (7.95") | 130 (5.12") | 234 (9.21") | 180 (7.08") | 216 (8.50") | 8 (0.31") | 402 (15.83") | G1" |

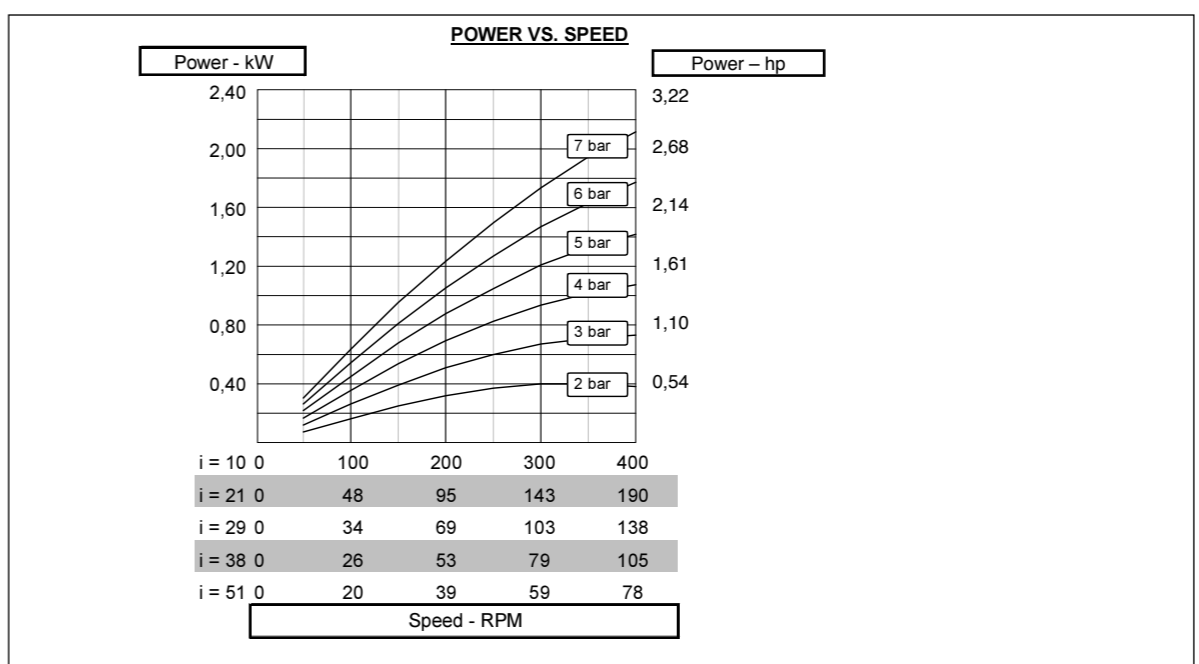
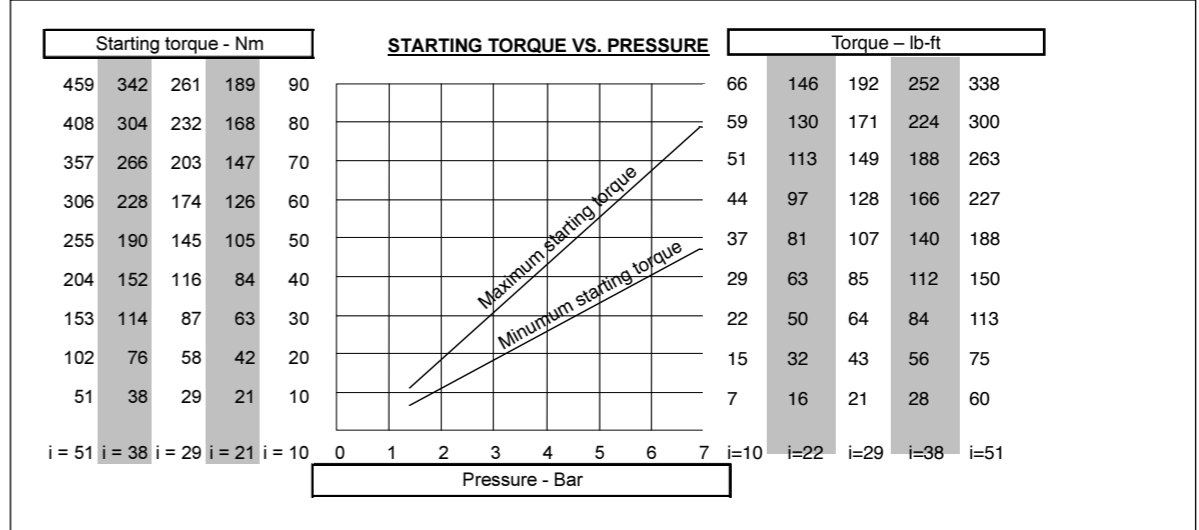
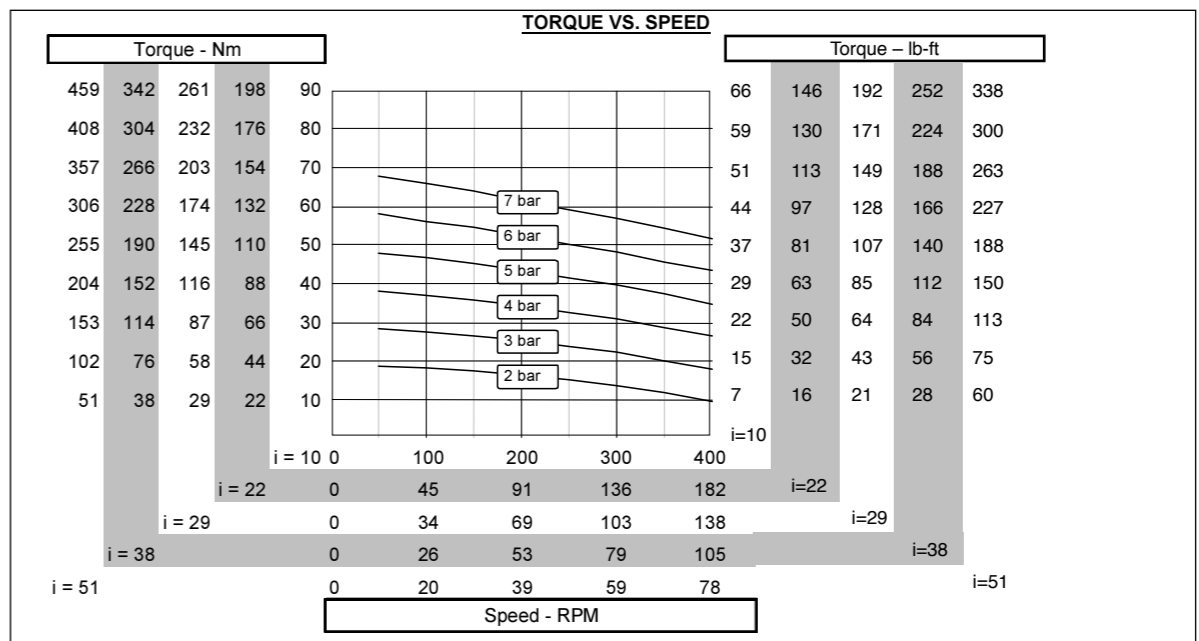
| Motor + gear size | J | K | L | M | N | O | P | Q |
|---------------------|------------|------------|---------------|------------|-------------|------------|-------------|------------|
| VS4DA402BG10 | 53 (2.08") | 7 (0.27") | Ø25h6 (0.98") | 18 (0.71") | 125 (4.92") | 12 (0.47") | 50 (1.97") | 37 (1.45") |
| VS4DA402BG22 | 53 (2.08") | 7 (0.27") | Ø25h6 (0.98") | 18 (0.71") | 125 (4.92") | 12 (0.47") | 50 (1.97") | 37 (1.45") |
| VS4DA402BG29 | 53 (2.08") | 7 (0.27") | Ø25h6 (0.98") | 18 (0.71") | 125 (4.92") | 12 (0.47") | 50 (1.97") | 37 (1.45") |
| VS4DA402BG38 | 53 (2.08") | 7 (0.27") | Ø25h6 (0.98") | 18 (0.71") | 125 (4.92") | 12 (0.47") | 50 (1.97") | 37 (1.45") |
| VS4DA403BG51 | 50 (1.97") | 3 (0.12") | Ø25h6 (0.98") | 18 (0.71") | 125 (4.92") | 15 (0.59") | 50 (1.97") | 50 (1.97") |
| VS6DA402BG10 | 50 (1.97") | 7 (0.27") | Ø25h6 (0.98") | 18 (0.71") | 125 (4.92") | 8 (0.31") | 50 (1.97") | 37 (1.45") |
| VS6DA402BG22 | 50 (1.97") | 7 (0.27") | Ø25h6 (0.98") | 18 (0.71") | 125 (4.92") | 8 (0.31") | 50 (1.97") | 37 (1.45") |
| VS6DA602BG29 | 60 (2.36") | 22 (0.86") | Ø30h6 (1.18") | 20 (0.78") | 186 (7.32") | 52 (2.04") | 150 (5.90") | ... |
| VS6DA602BG40 | 60 (2.36") | 22 (0.86") | Ø30h6 (1.18") | 20 (0.78") | 186 (7.32") | 52 (2.04") | 150 (5.90") | ... |
| VS6DA603BG55 | 60 (2.36") | 16 (0.63") | Ø30h6 (1.18") | 20 (0.78") | 186 (7.32") | 46 (1.81") | 150 (5.90") | ... |
| VS8DA602BG10 | 60 (2.36") | 22 (0.86") | Ø30h6 (1.18") | 20 (0.78") | 186 (7.32") | 52 (2.04") | 150 (5.90") | ... |
| VS8DA602BG20 | 60 (2.36") | 22 (0.86") | Ø30h6 (1.18") | 20 (0.78") | 186 (7.32") | 52 (2.04") | 150 (5.90") | ... |
| VS8DA602BG30 | 60 (2.36") | 22 (0.86") | Ø30h6 (1.18") | 20 (0.78") | 186 (7.32") | 52 (2.04") | 150 (5.90") | ... |

DIMENSIONS GLOBE VANE AIR MOTORS WITH PLANETARY GEARS - FOOT MODEL

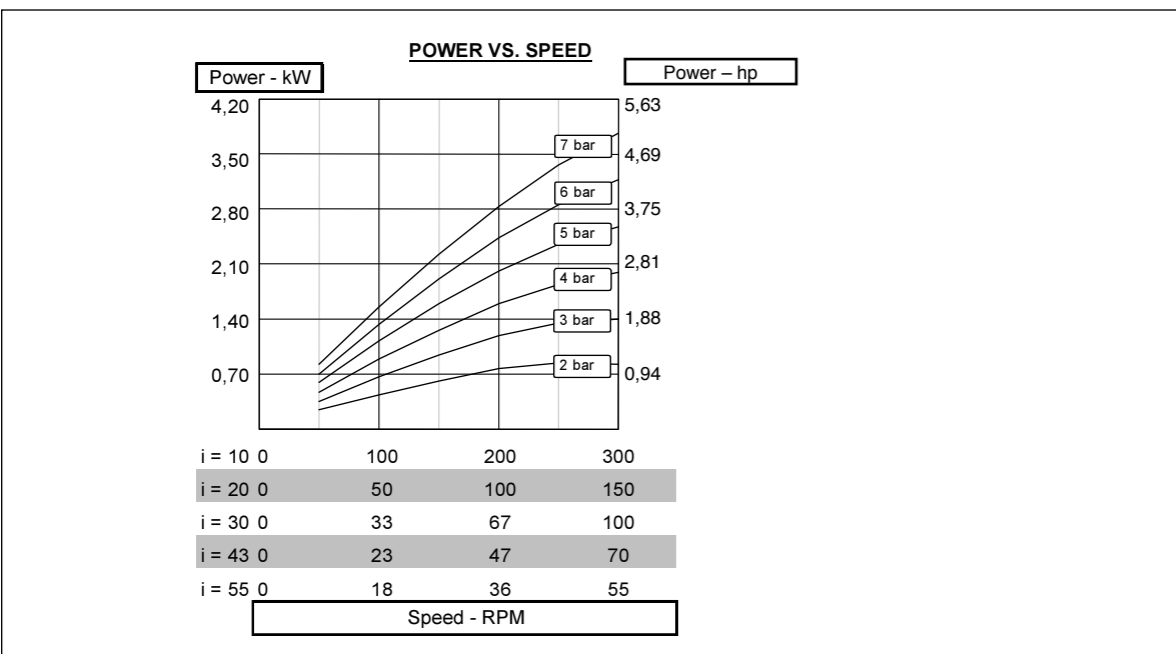
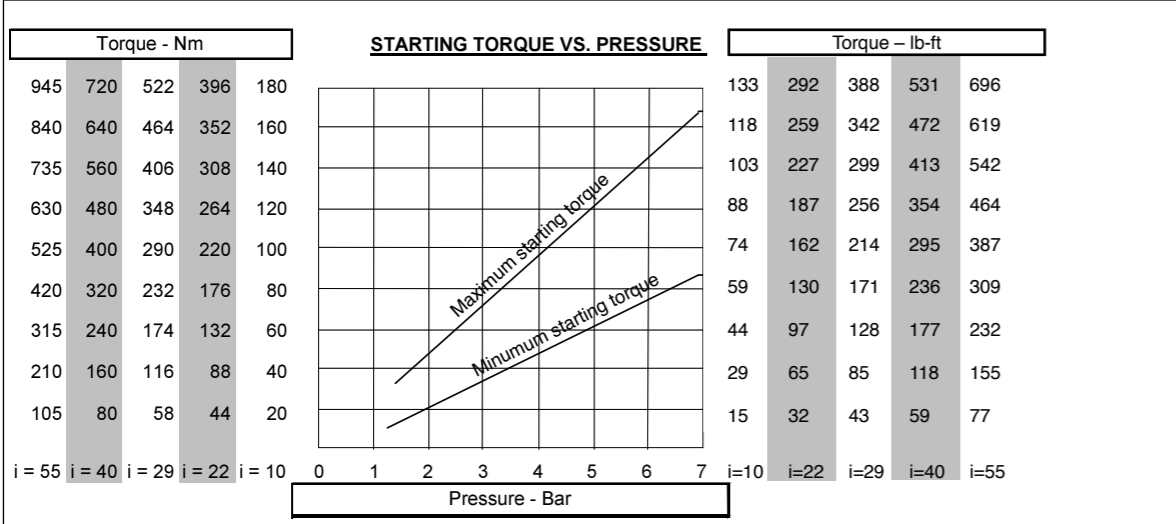
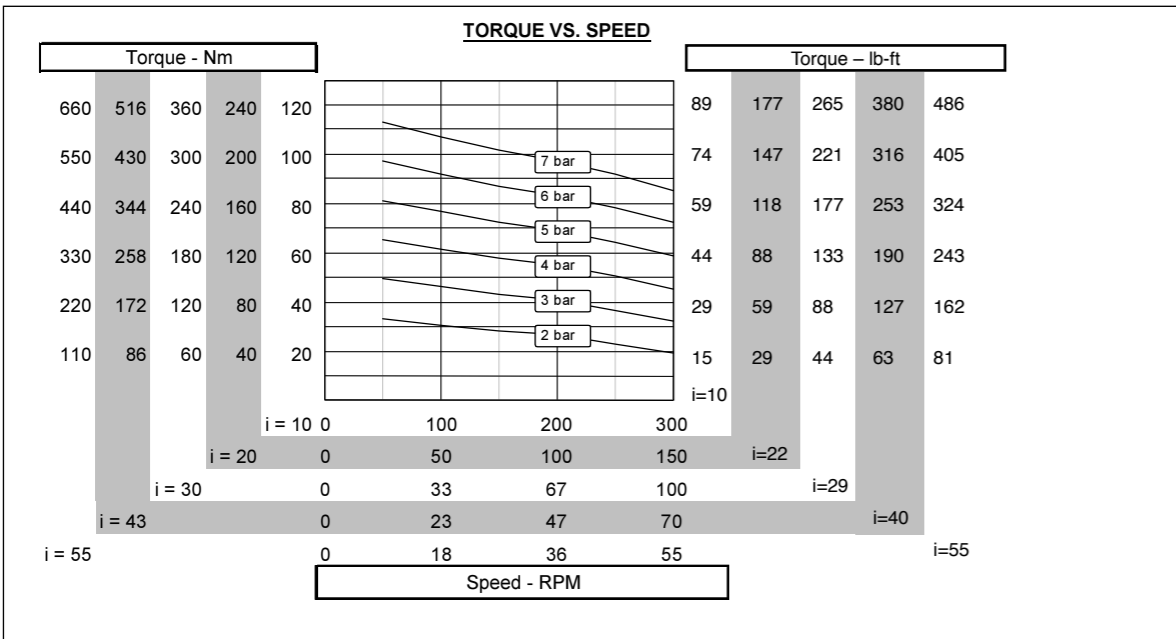


| Motor + gear size | A | B | C | D | E | F | G | H | I | J | K |
|------------------------|-----------------|----------------|----------------|---------------|----|-----|-----|-------|----|-----|------|
| VS8EPFG300BG42 | 205 (8.07") | 165 (6.49") | 100 (3.93") | 10 (0.39") | 20 | 160 | 120 | ∅38h6 | 60 | 429 | G1" |
| VS8EPFG300BG52 | 205 (8.07") | 165 (6.49") | 100 (3.93") | 10 (0.39") | 20 | 160 | 120 | ∅38h6 | 60 | 429 | G1" |
| VS10EPFG301BG20 | 260 (10.23") | 216 (8.50") | 132 (5.19") | 14 (0.55") | 21 | 180 | 138 | ∅50h6 | 82 | 501 | G1¼" |
| VS10EPFG301BG31 | 260 (10.23") | 216 (8.50") | 132 (5.19") | 14 (0.55") | 21 | 180 | 138 | ∅50h6 | 82 | 501 | G1¼" |
| VS10EPFG301BG42 | 260 (10.23") | 216 (8.50") | 132 (5.19") | 14 (0.55") | 21 | 180 | 138 | ∅50h6 | 82 | 501 | G1¼" |
| VS10EPFG301BG52 | 260 (10.23") | 216 (8.50") | 132 (5.19") | 14 (0.55") | 21 | 180 | 138 | ∅50h6 | 82 | 501 | G1¼" |

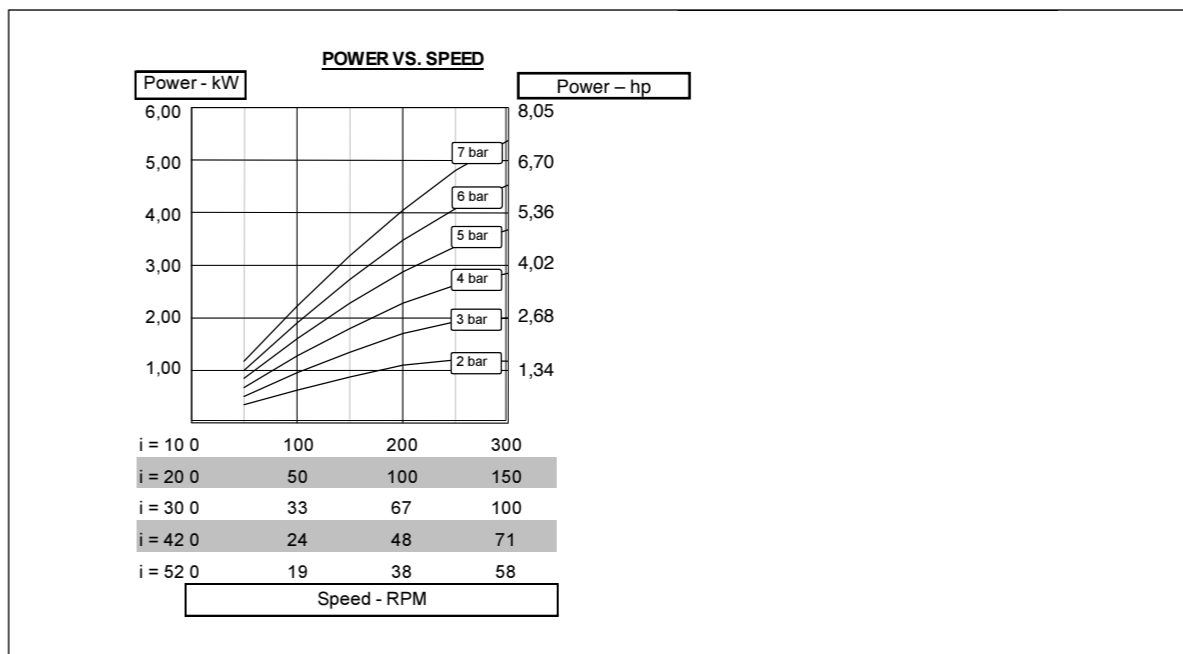
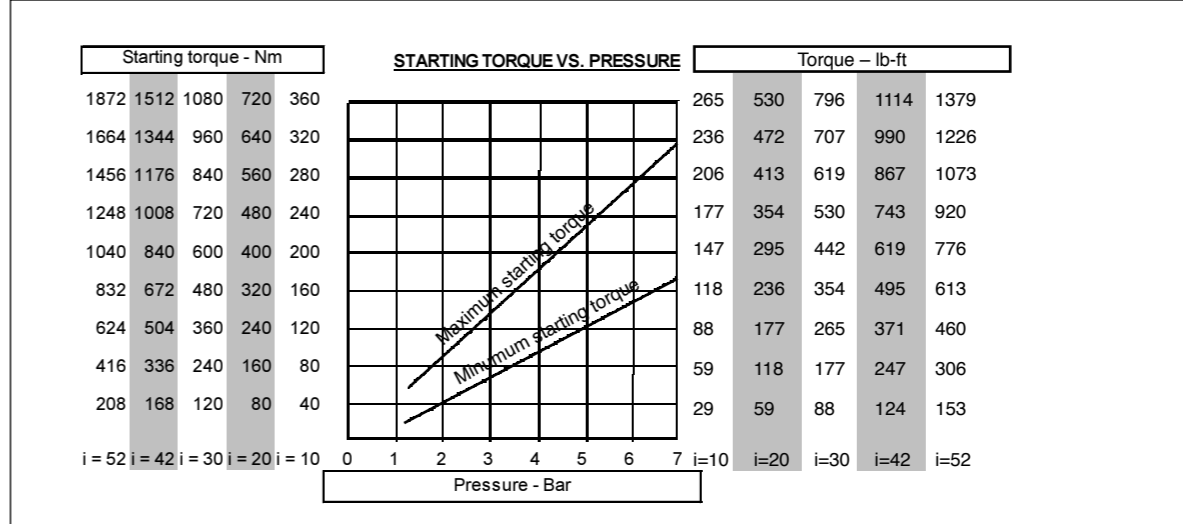
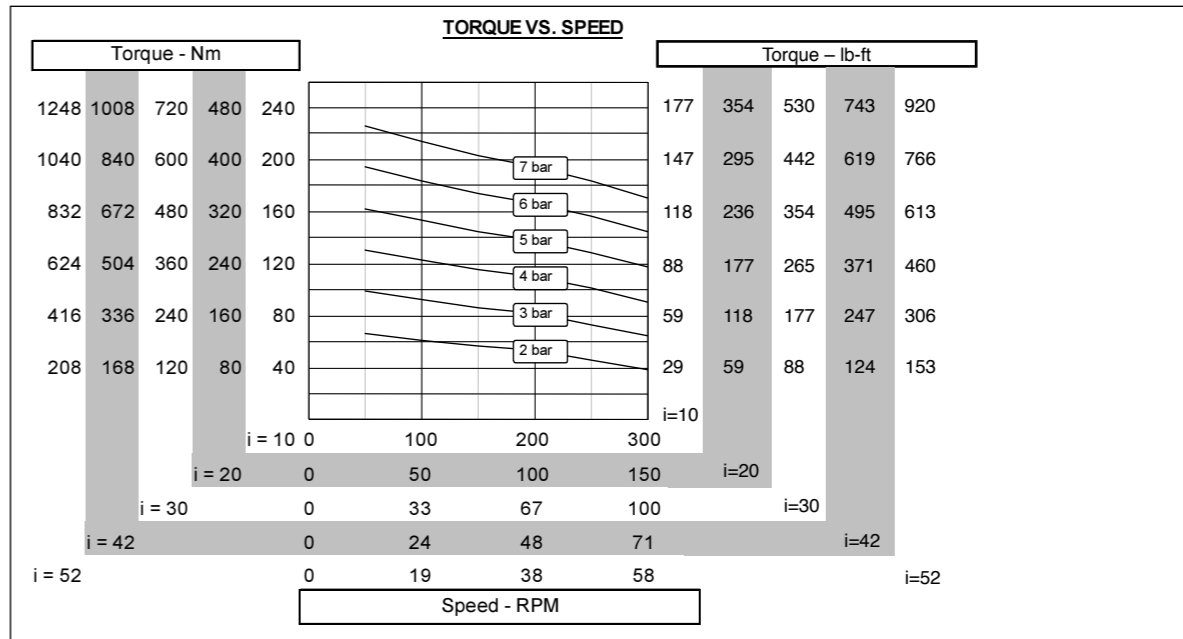
PERFORMANCES GLOBE VS4C AIR MOTOR WITH COAXIAL GEAR



PERFORMANCES GLOBE VS6C AIR MOTOR WITH COAXIAL GEAR

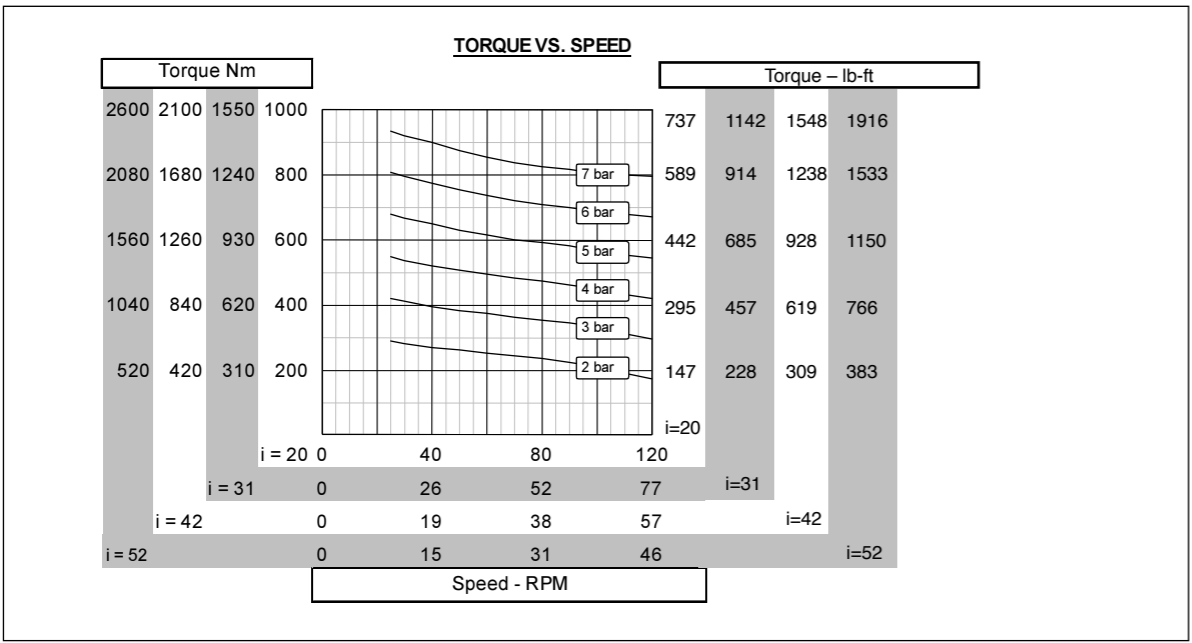


PERFORMANCES GLOBE VS8C AIR MOTOR WITH COAXIAL AND PLANETARY GEAR

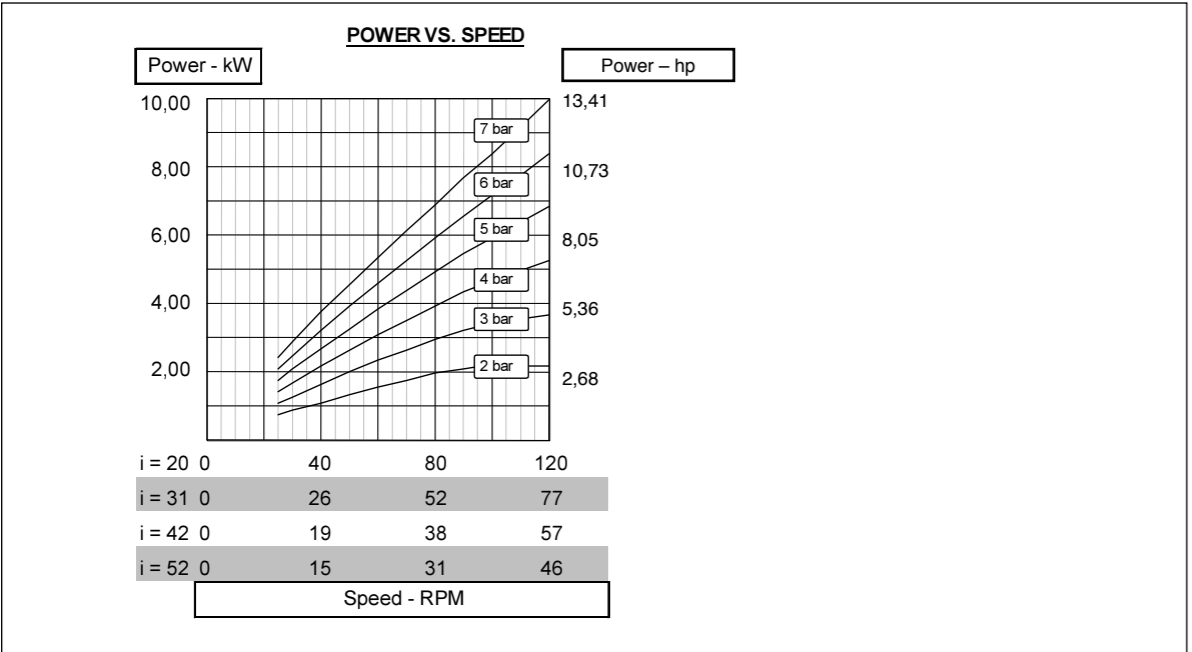
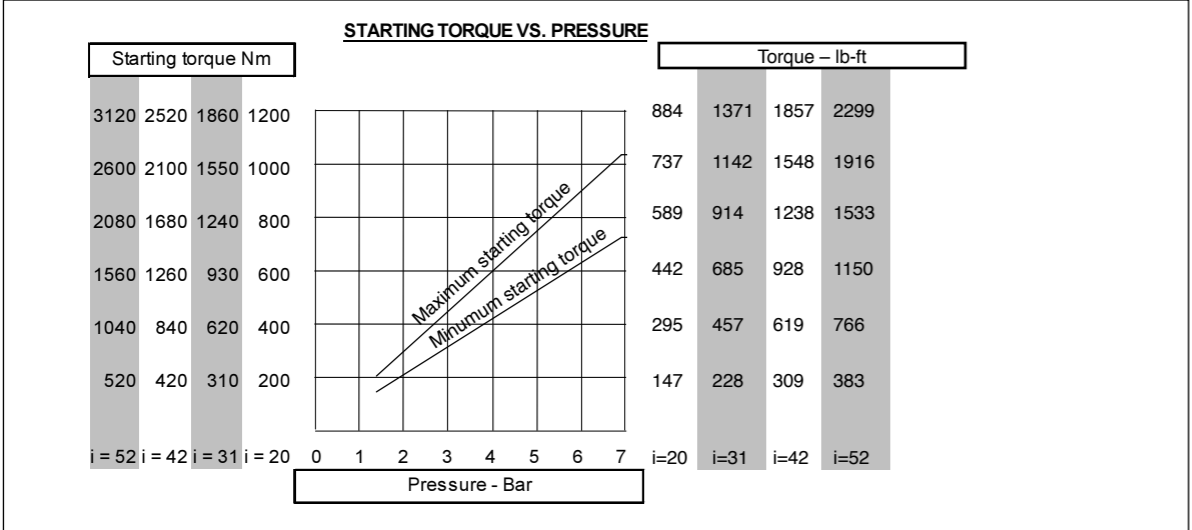


PERFORMANCES GLOBE VS10C AIR MOTOR WITH COAXIAL AND PLANETARY GEAR

RECOMMENDED GEARBOX LUBRICANTS



| ISO VG | Ambient temperature (°C) | Synthetic oil | | | Mineral oil | | | |
|--------------|--------------------------|------------------|------------------|------------------|------------------|------------------|------------------|------------------|
| | | 460 | 220 320 | 150 | 680 | 460 | 320 | 220 |
| | -15° to 100° | - | -25° to 80° | -30° to 70° | 5° to 50° | 5° to 45° | 0° to 40° | 0° to 35° |
| Manufacturer | AGIP | - | Telium VSF 320 | Telium VSF 150 | Blasia 680 | Blasia 460 | Blasia 320 | Blasia 220 |
| | BP | Energol SGXP 460 | Energol SGXP 220 | Energol SGXP 150 | Energol GRXP 680 | Energol GRXP 460 | Energol GRXP 320 | Energol GRXP 220 |
| | ESSO | - | - | - | Spartan EP 680 | Spartan EP 460 | Spartan EP 320 | Spartan EP 220 |
| | SHELL | Tivela Oil SD | Tivela Oil WB | - | Omala Oil 680 | Omala Oil 460 | Omala Oil 320 | Omala Oil 220 |
| | KLÜBER | Syntheso D460 EP | Syntheso D220 EP | Syntheso D150 EP | Lamora 680 | Lamora 460 | Lamora 320 | Lamora 220 |
| | MOBIL | Glygoyle HE 460 | Glygoyle 30 | Glygoyle 22 | Mobilgear 636 | Mobilgear 636 | Mobilgear 632 | Mobilgear 630 |



GLOBE PFG-RED PLANETARY GEARED VANE MOTORS

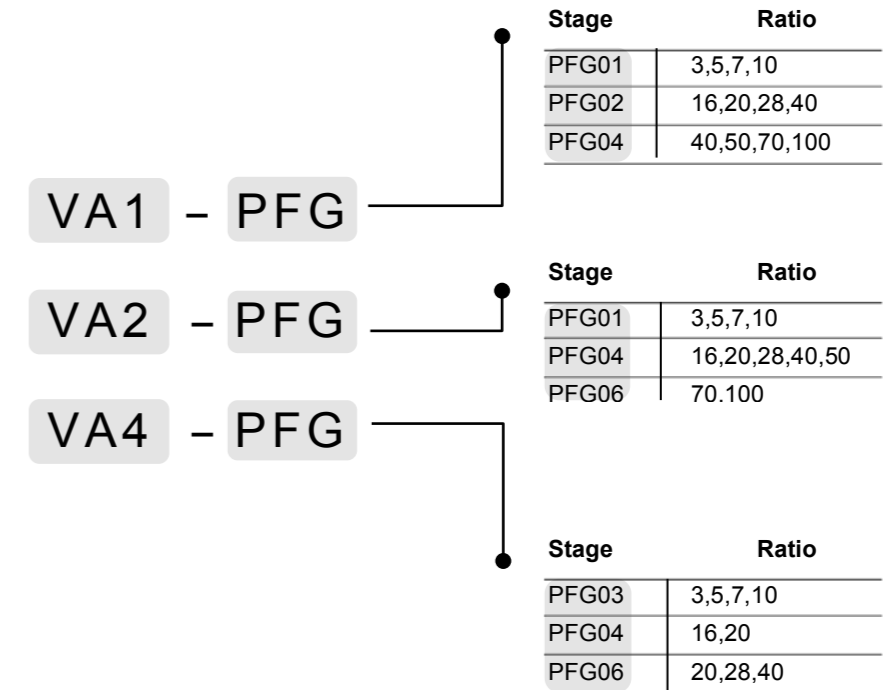
The GLOBE PFG-red motors are of the vane type and are available with a wide range of planetary reducers ranging from $i = 3:1$ to $i = 1000:1$ (reductions above $i = 100:1$ on request)

GLOBE PFG-red motors are designed for light and medium industrial applications and are used in all kinds of driving, mixing and transporting applications.

- Available from 0,44 kW to 2,1 kW. Higher powers available on request.
- Easily variable speed control
- Variable torque control
- Perfect in many applications in hazardous environments
- Explosion proof according ATEX directive EU 94/9/EC (ATEX II cat. 2 G&D T5)
- No damage by overload or repeated starting
- Cool running
- Can be used in stall conditions
- Superior power to weight ratio
- Instantly reversible
- No shock start-up
- Maintenance-free
- Suitable for oil-free operation
- Radial and axial loads permitted
- Oil free possible

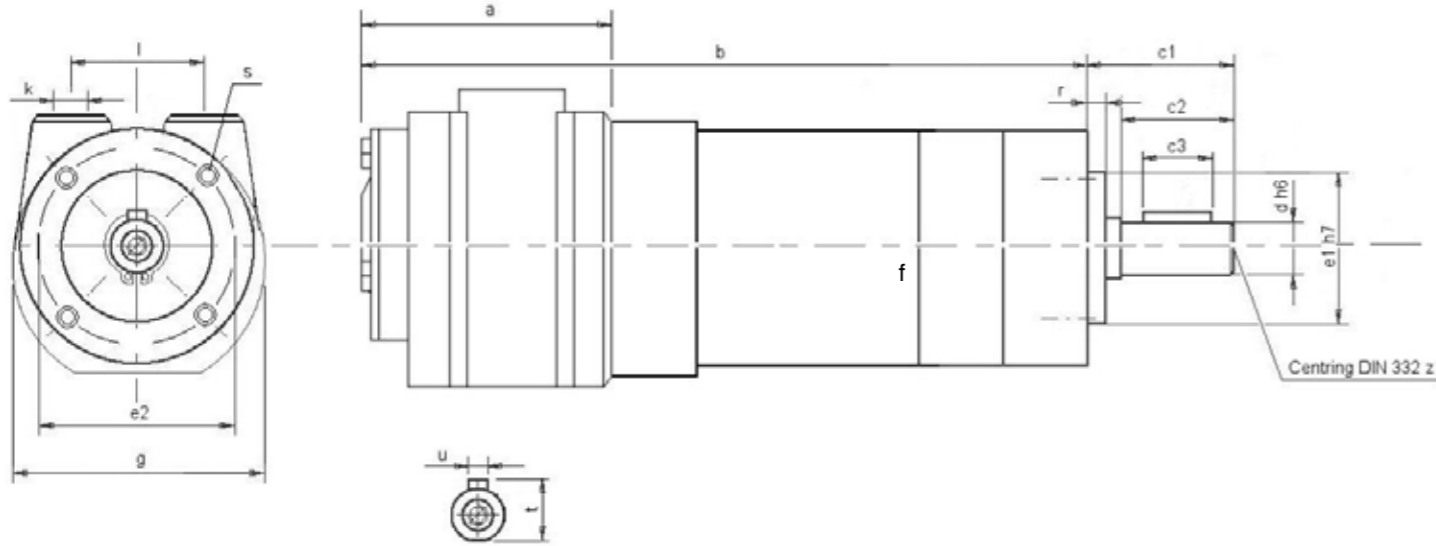


ORDERING CODES



Use the ordering codes to create the GLOBE PFG Air Motor Unit you want.

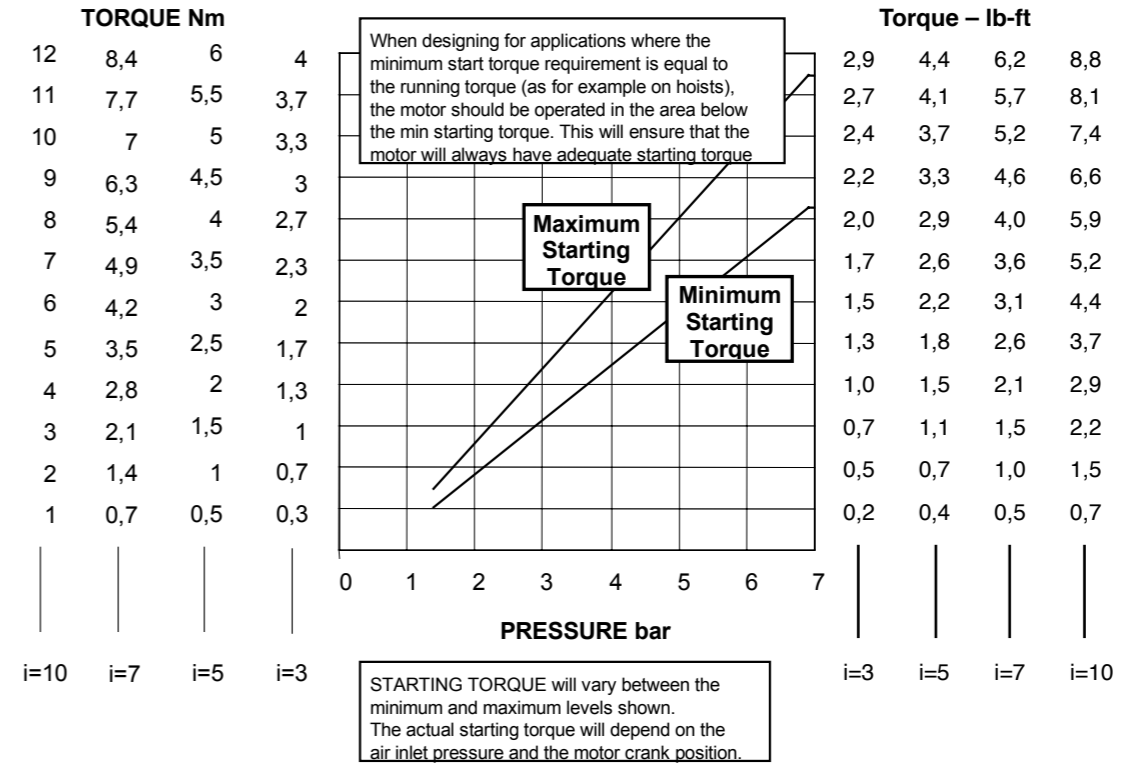
For example: VA1PFG02 $i=16$ or VA4PFG07 $i=70$



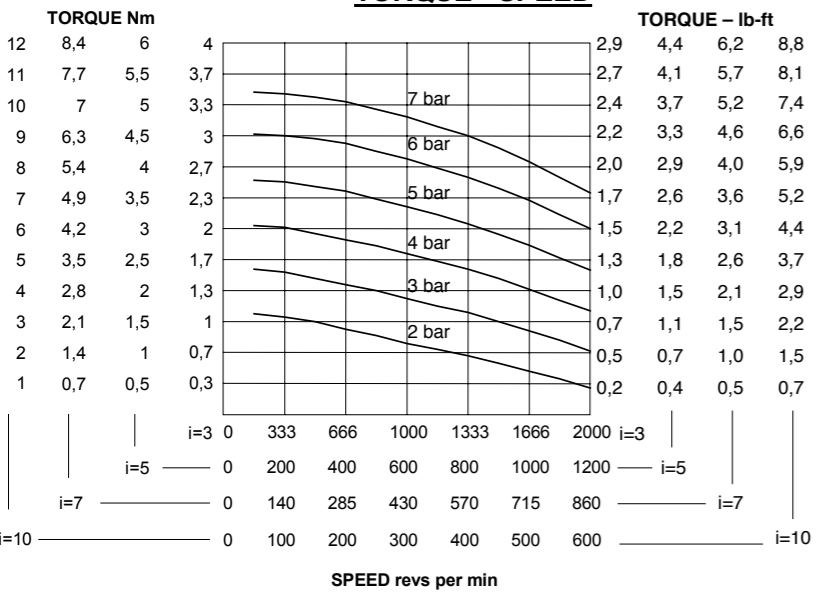
| Motor | i | a | b | c1 | c2 | c3 | d | e1 | e2 | f | g | k |
|----------|--------------|---------------|----------------|---------------|---------------|---------------|-----------------|-----------------|---------------|---------------|---------------|---------|
| VA1PFG01 | 3 5 7 10 | 69 (2.71") | 175 (6.89") | 39 (1.53") | 30 (1.18") | 25 (0.98") | 14k6 (0.55") | 40h7 (1.57") | 52 (2.05") | 65 (2.56") | 71 (2.79") | 1/4"NPT |
| VA1PFG02 | 16 20 28 40 | 69 (2.71") | 198 (7.79") | 39 (1.53") | 30 (1.18") | 25 (0.98") | 14k6 (0.55") | 40h7 (1.57") | 52 (2.05") | 65 (2.56") | 71 (2.79") | 1/4"NPT |
| VA1PFG04 | 40 50 70 100 | 69 (2.71") | 226 (8.89") | 49 (1.93") | 40 (1.57") | 32 (1.26") | 20k6 (0.79") | 55h7 (2.16") | 70 (2.76") | 85 (3.35") | 71 (2.79") | 1/4"NPT |

| Motor | l | r | s | t | u |
|----------|------------|-----------|---------------|--------------|-----------|
| VA1PFG01 | 36 (1.42") | 8 (0.31") | M5x10 (0.39") | 16 (0.63") | 5 (0.19") |
| VA1PFG02 | 36 (1.42") | 8 (0.31") | M5x10 (0.39") | 16 (0.63") | 5 (0.19") |
| VA1PFG04 | 36 (1.42") | 8 (0.31") | M6x12 (0.47") | 22,5 (0.88") | 6 (0.23") |

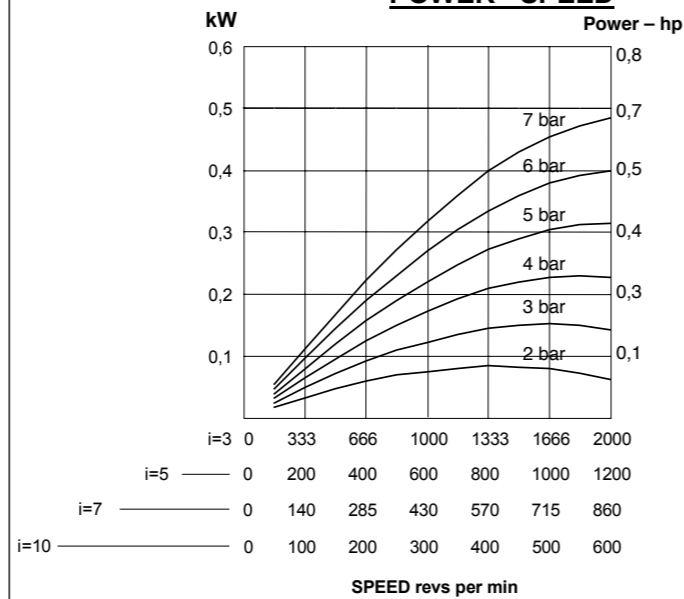
TORQUE - PRESSURE



TORQUE - SPEED



POWER - SPEED



Motor is reversible.

ATTITUDE

The motor can be operated in all positions.

Maximum temperature -20°C to +80°C

(-4°F to -176°F).

Maximum radial load: 930 N

Maximum axial load: 1080 N

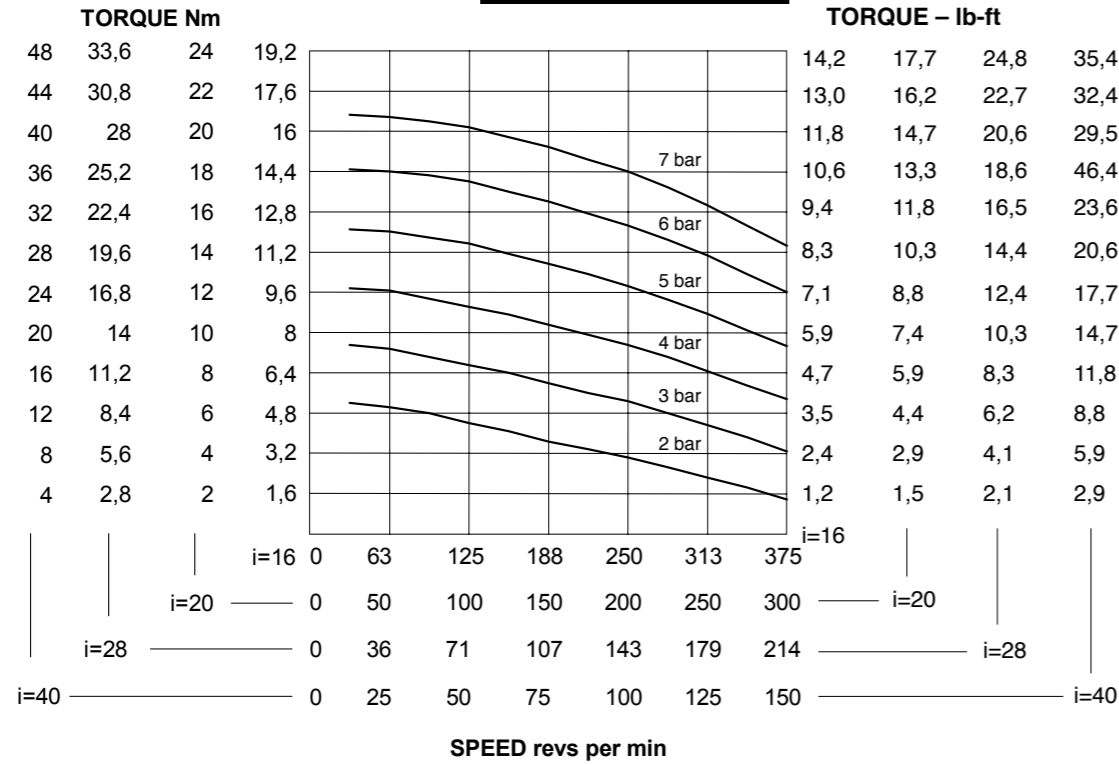
AIRLINE FILTRATION AND LUBRICATION

Use 64 micron filtration or better. Choose a lubricator suitable for the flow required. Prior to initial start-up, inject oil into the inlet port.

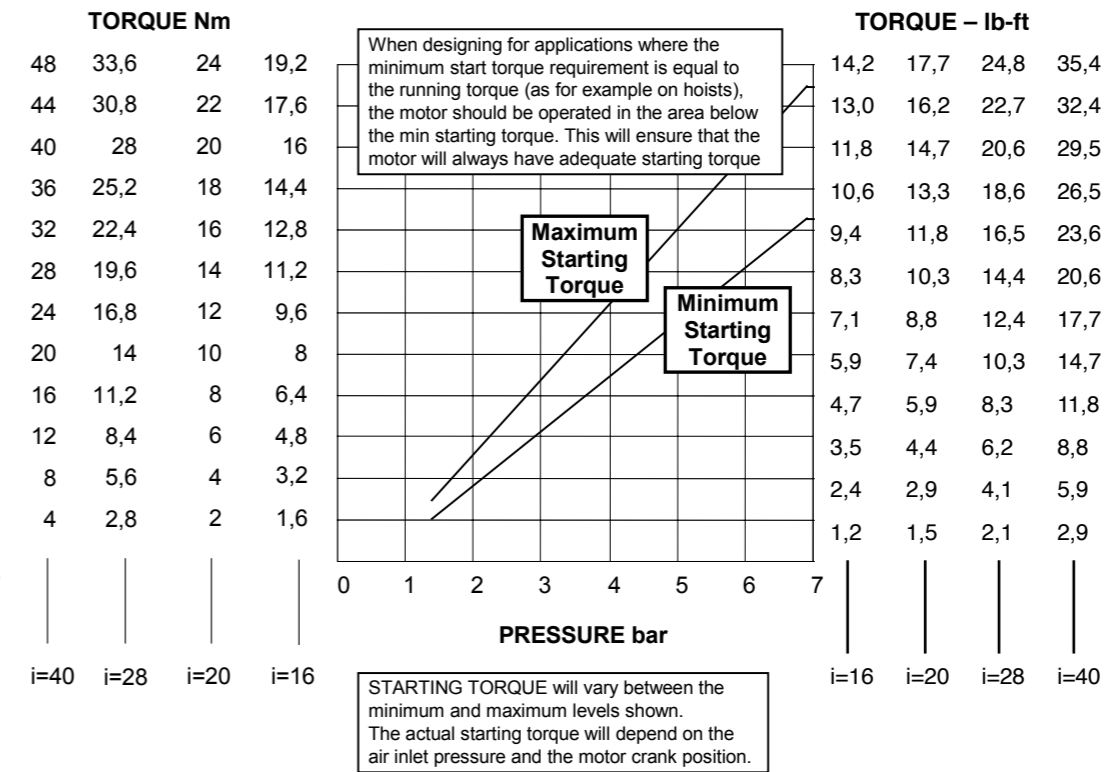
Lubricator drop rate 4-5 drops/minute continuous operation

Lubricator drop rate 9-12 drops/minute intermittent operation

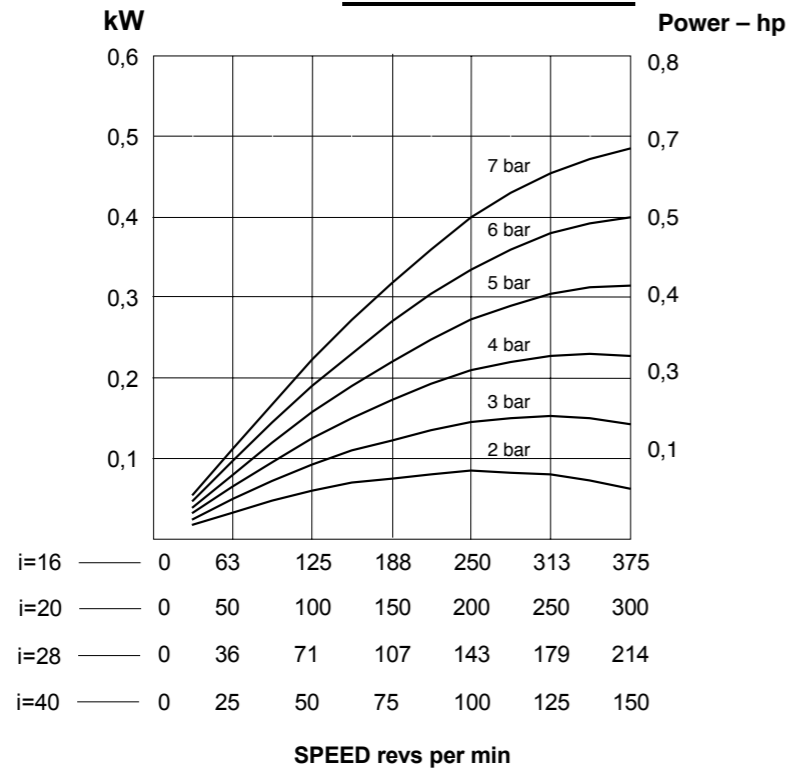
TORQUE - SPEED



TORQUE - PRESSURE



POWER - SPEED



Motor is reversible.

ATTITUDE

The motor can be operated in all positions.

Maximum temperature -20°C to +80°C

(-4°F to -176°F).

Maximum radial load: 930 N

Maximum axial load: 1080 N

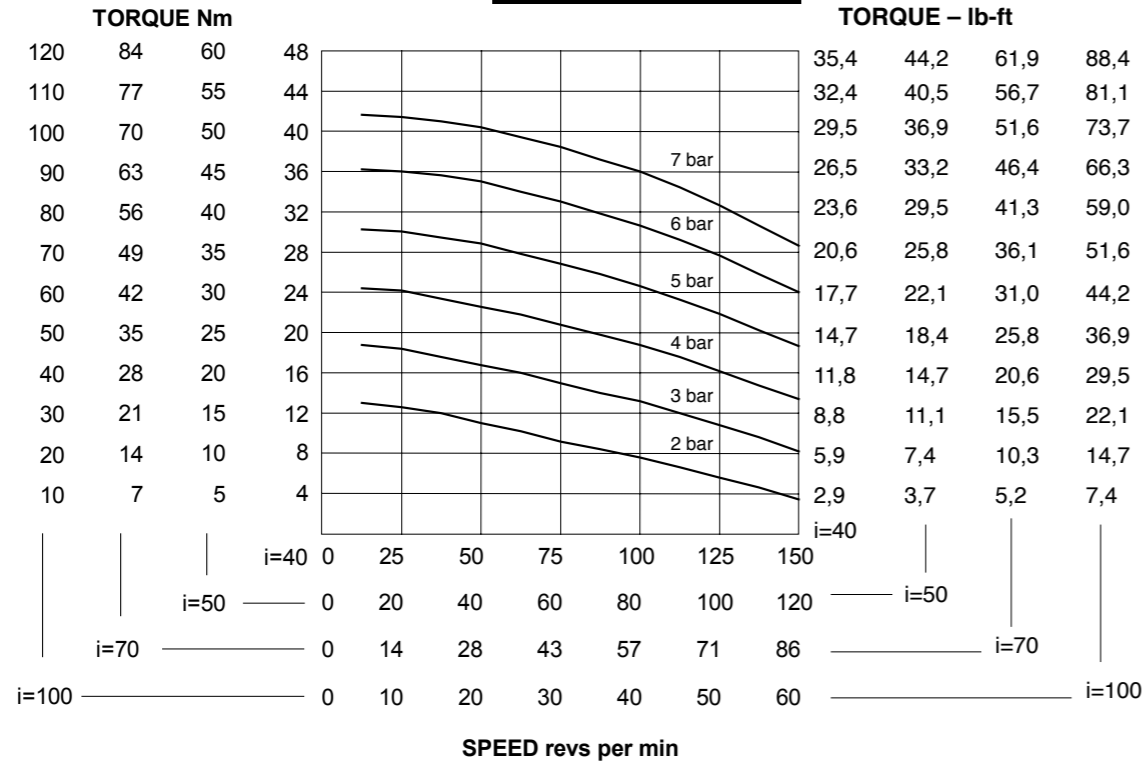
AIRLINE FILTRATION AND LUBRICATION

Use 64 micron filtration or better. Choose a lubricator suitable for the flow required. Prior to initial start-up, inject oil into the inlet port.

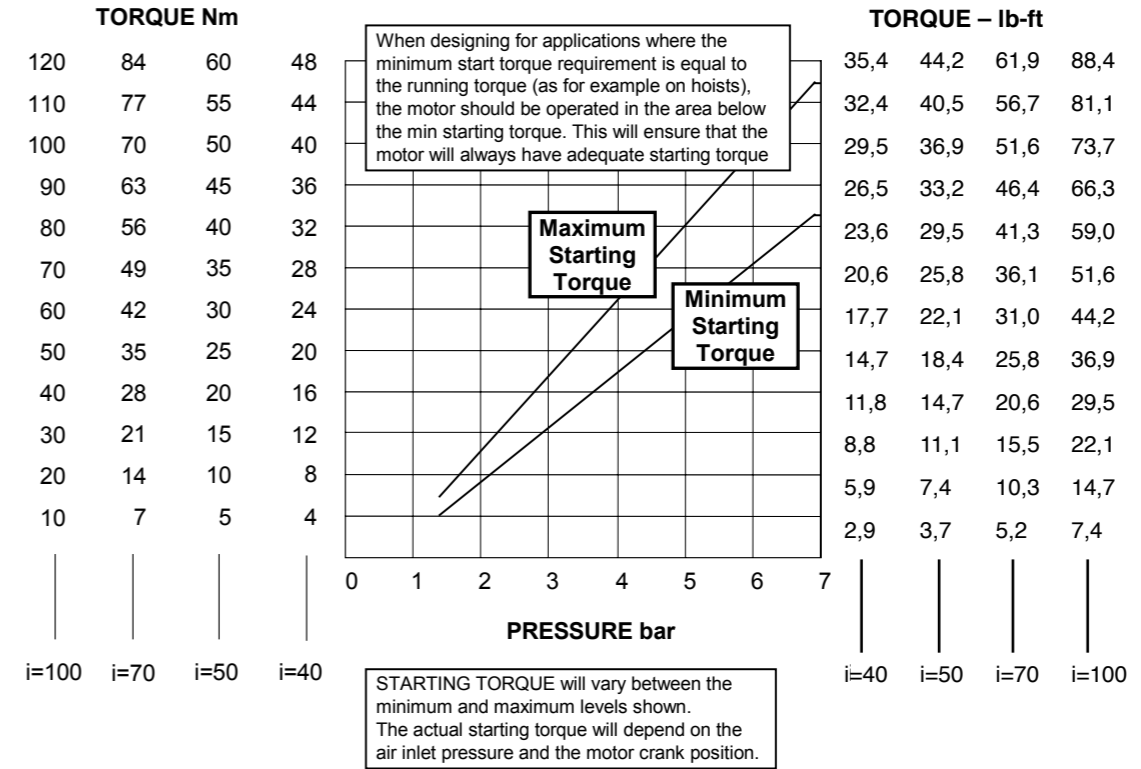
Lubricator drop rate 4-5 drops/minute continuous operation

Lubricator drop rate 9-12 drops/minute intermittent operation

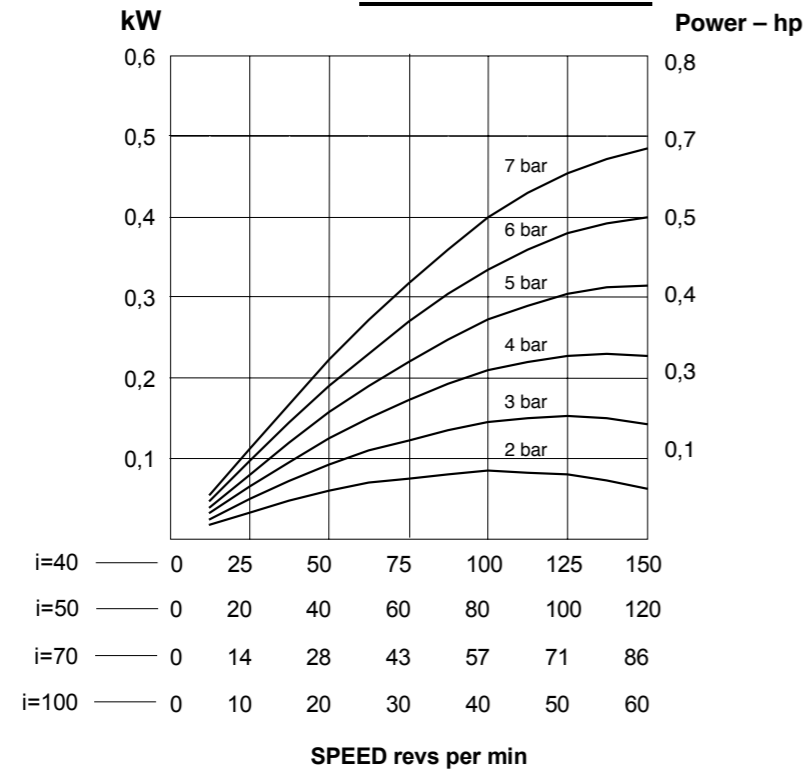
TORQUE - SPEED



TORQUE - PRESSURE



POWER - SPEED



Motor is reversible.

ATTITUDE

The motor can be operated in all positions.

Maximum temperature -20°C to +80°C

(-4°F to -176°F).

Maximum radial load: 1770 N

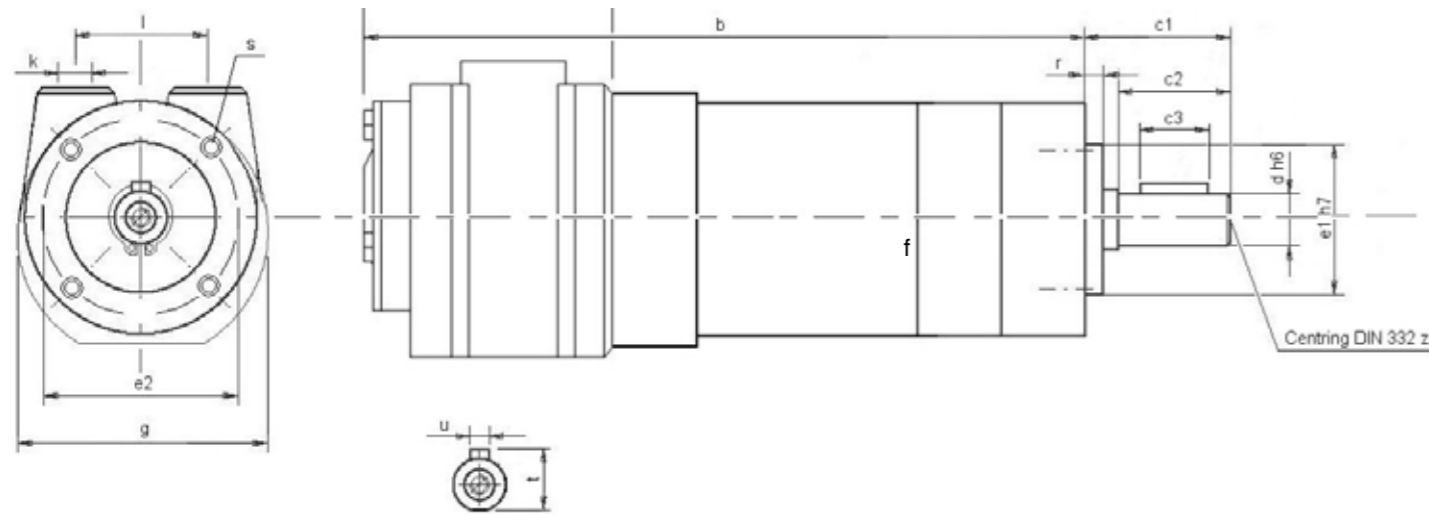
Maximum axial load: 2180 N

AIRLINE FILTRATION AND LUBRICATION

Use 64 micron filtration or better. Choose a lubricator suitable for the flow required. Prior to initial start-up, inject oil into the inlet port.

Lubricator drop rate 4-5 drops/minute continuous operation

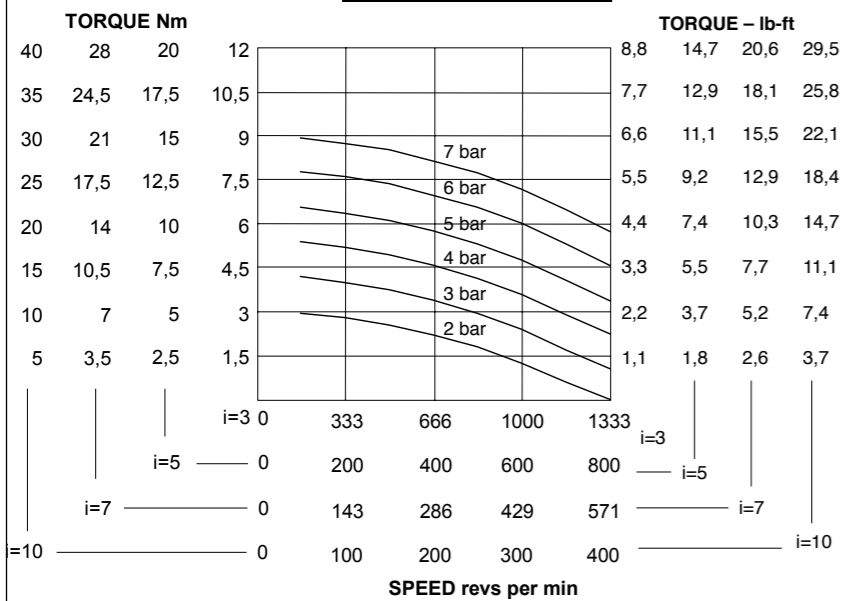
Lubricator drop rate 9-12 drops/minute intermittent operation



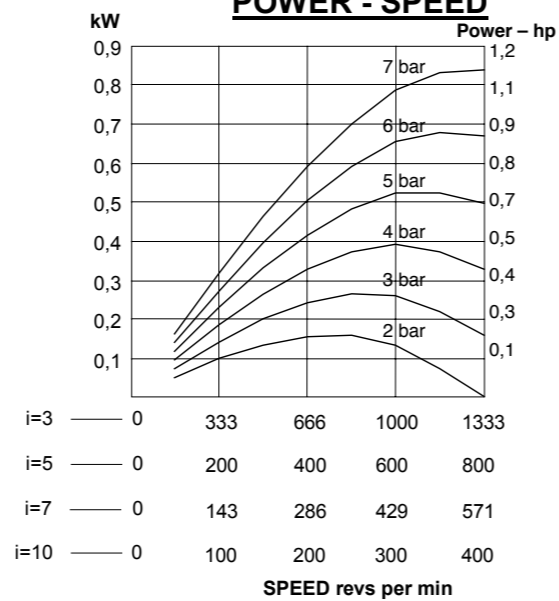
| Motor | i | a | b | c1 | c2 | c3 | d | e1 | e2 | f | g |
|-------------------------------|----------------|---------------|-----------------|---------------|---------------|---------------|------------------|-------------------|----------------|----------------|----------------|
| VA2PFG01 | 3 5 7 10 | 72 (2.83") | 174 (6.85") | 39 (1.54") | 30 (1.18") | 25 (0.98") | 14 k6 (0.55") | 40 h7 (1.57") | 52 (2.05") | 65 (2.56") | 102 (4.02") |
| VA2PFG04 | 16 20 28 40 50 | 72 (2.83") | 227 (8.94") | 49 (1.93") | 40 (1.57") | 32 (1.26") | 20k6 (0.79") | 55 h7 (2.17") | 70 (2.76") | 85 (3.35") | 102 (4.02") |
| VA2PFG06 | 70 100 | 72 (2.83") | 254 (10.00") | 61 (2.40") | 50 (1.97") | 40 (1.57") | 25 k6 (0.98") | 80 h7 (3.15") | 100 (3.94") | 120 (4.72") | 102 (4.02") |
| VA2PFG08 On request | 120 160 200 | 72 (2.83") | 308 (12.12") | 95 (3.74") | 80 (3.14") | 70 (2.75") | 40 k6 (1.57") | 110 h7 (4.33") | 130 (5.11") | 155 (6.10") | 102 (4.01") |

| Motor | k | l | r | s | t | u |
|-------------------------------|---------|------------|---------------|-------------------|-----------------|---------------|
| VA2PFG01 | 3/8"NPT | 55 (2.17") | 8 (0.31") | M5x10 (0.39") | 16 (0.63") | 5 (0.20") |
| VA2PFG04 | 3/8"NPT | 55 (2.17") | 8 (0.31") | M6x12 (0.47") | 22.5 (0.89") | 6 (0.24") |
| VA2PFG06 | 3/8"NPT | 55 (2.17") | 10 (0.39") | M10x20 (0.79") | 28,0 (1.10") | 8 (0.31") |
| VA2PFG08 On request | 3/8"NPT | 55 (2.17") | 14 (0.55") | M10x20 (0.79") | 43,0 (1.69") | 12 (0.47") |

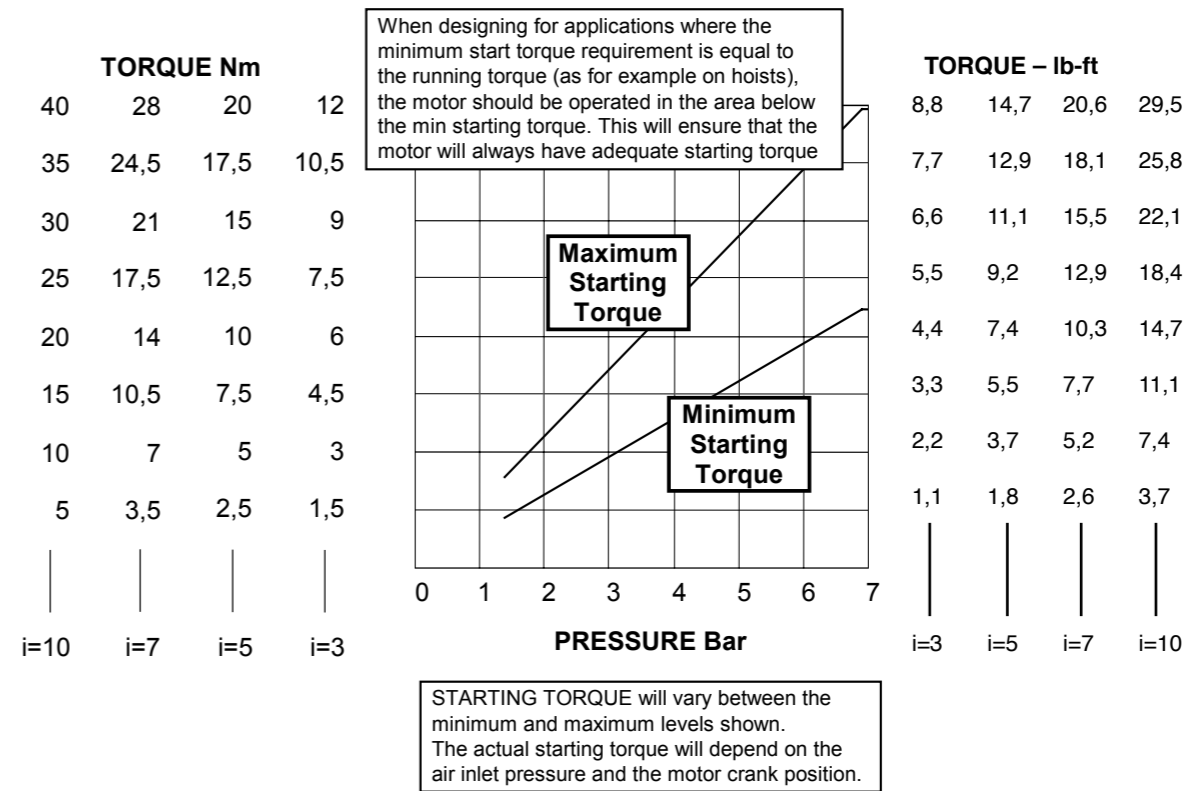
TORQUE - SPEED



POWER - SPEED



TORQUE - PRESSURE



Muffler supplied with motor.
Motor is reversible.

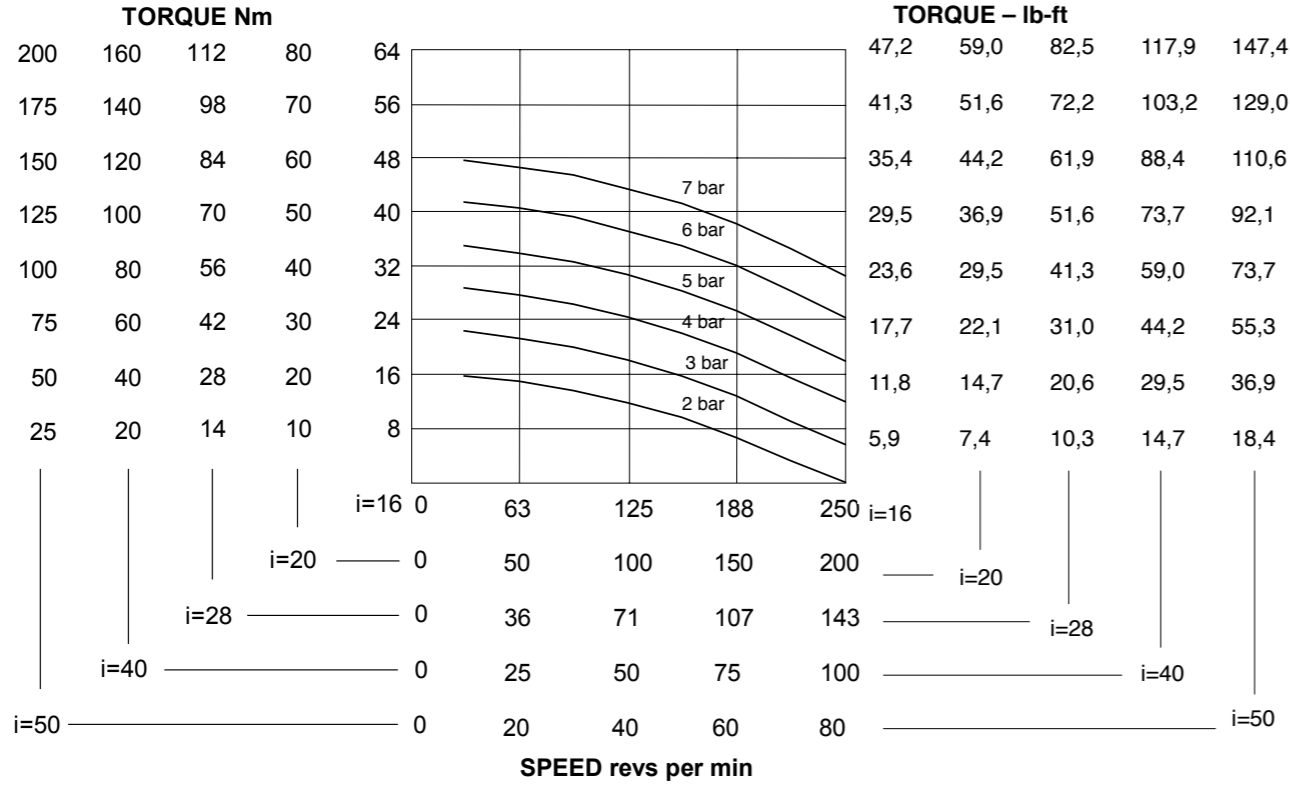
ATTITUDE

The motor can be operated in all positions.
Maximum temperature -20°C to +80°C (-4°F to +176°F).
Maximum radial load: 930 N
Maximum axial load: 1080 N

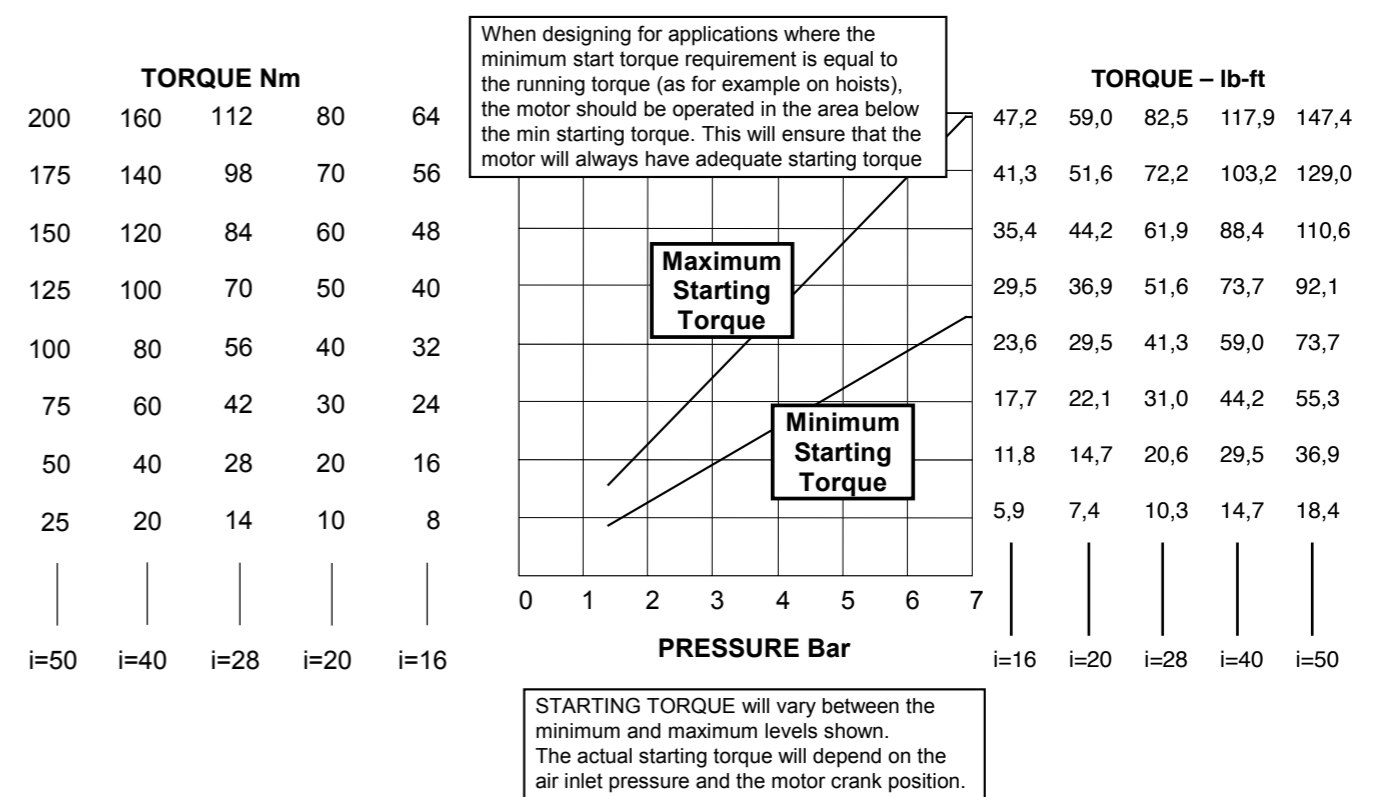
AIRLINE FILTRATION AND LUBRICATION

Use 64 micron filtration or better. Choose a lubricator suitable for the flow required. Prior to initial start-up, inject oil into the inlet port.
Lubricator drop rate 4-5 drops/minute continuous operation
Lubricator drop rate 9-12 drops/minute intermittent operation

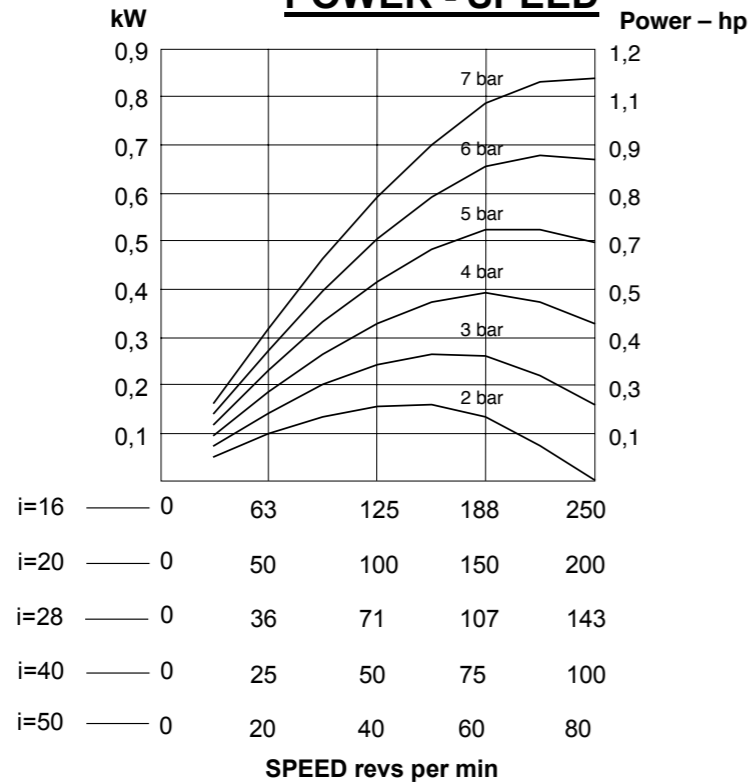
TORQUE - SPEED



TORQUE - PRESSURE



POWER - SPEED



Muffler supplied with motor.

Motor is reversible.

ATTITUDE

The motor can be operated in all positions.

Maximum temperature -20°C to +80°C (-4°F to +176°F).

Maximum radial load: 1770 N

Maximum axial load: 2180 N

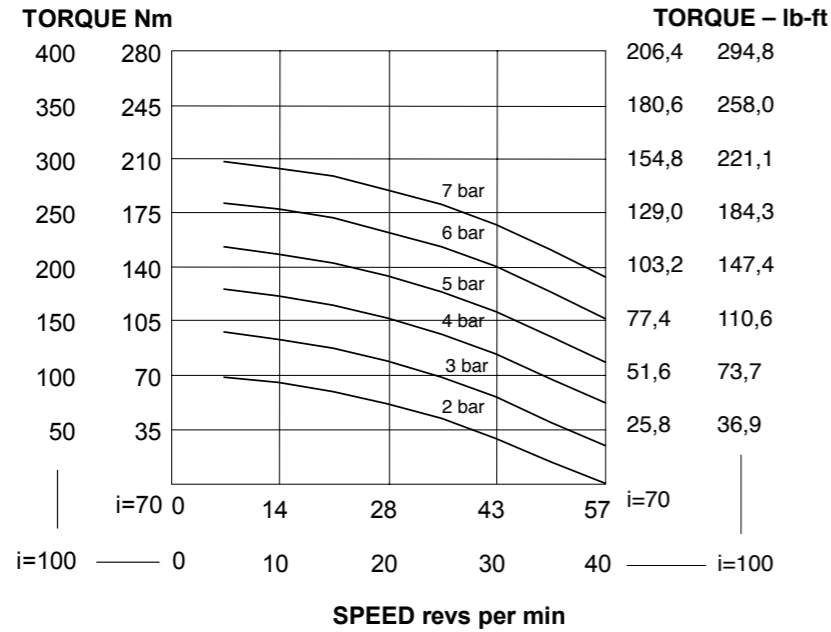
AIRLINE FILTRATION AND LUBRICATION

Use 64 micron filtration or better. Choose a lubricator suitable for the flow required. Prior to initial start-up, inject oil into the inlet port.

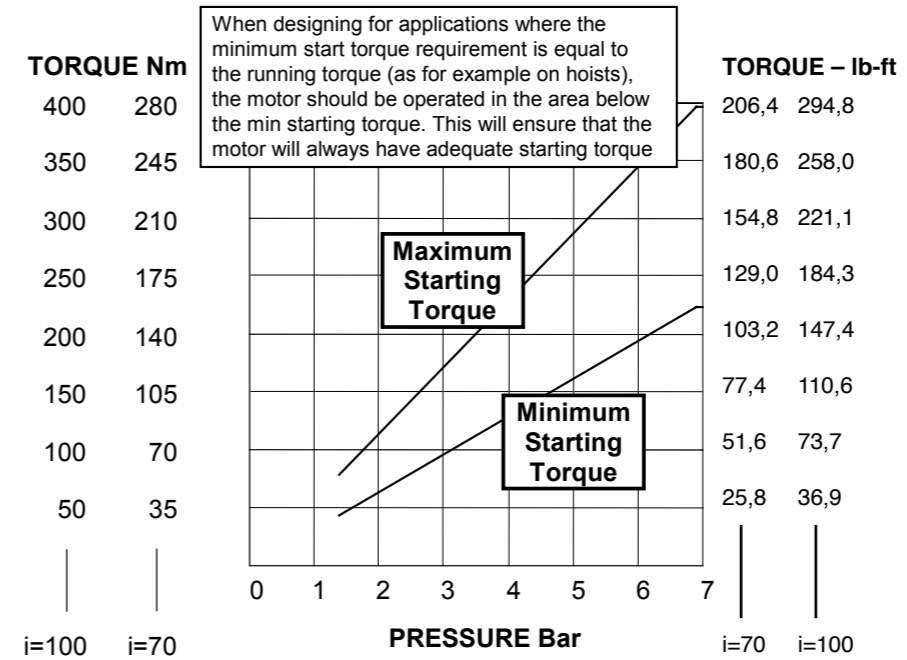
Lubricator drop rate 4-5 drops/minute continuous operation

Lubricator drop rate 9-12 drops/minute intermittent operation

TORQUE - SPEED



TORQUE - PRESSURE



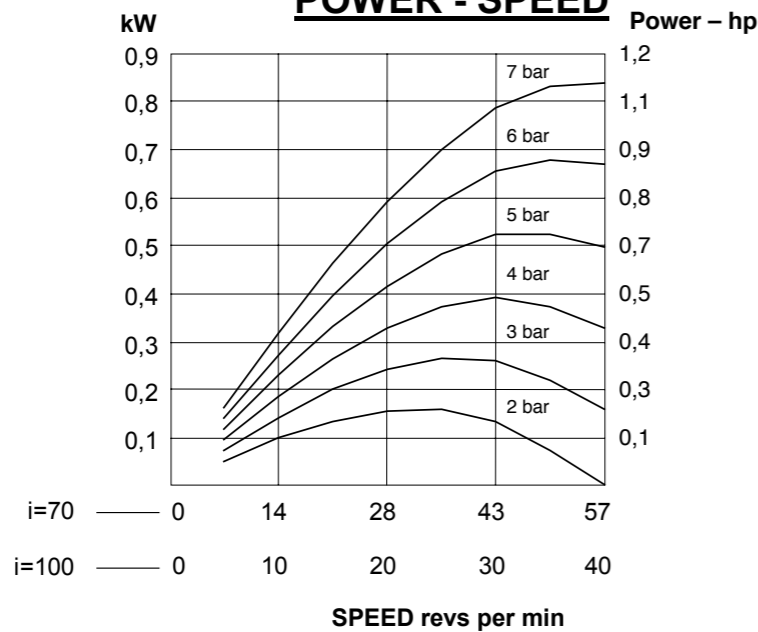
When designing for applications where the minimum start torque requirement is equal to the running torque (as for example on hoists), the motor should be operated in the area below the min starting torque. This will ensure that the motor will always have adequate starting torque

Maximum Starting Torque

Minimum Starting Torque

STARTING TORQUE will vary between the minimum and maximum levels shown. The actual starting torque will depend on the air inlet pressure and the motor crank position.

POWER - SPEED



Muffler supplied with motor.

Motor is reversible.

ATTITUDE

The motor can be operated in all positions.

Maximum temperature -20°C to +80°C (-4°F to -176°F).

Maximum radial load: 3000 N

Maximum axial load: 3730 N

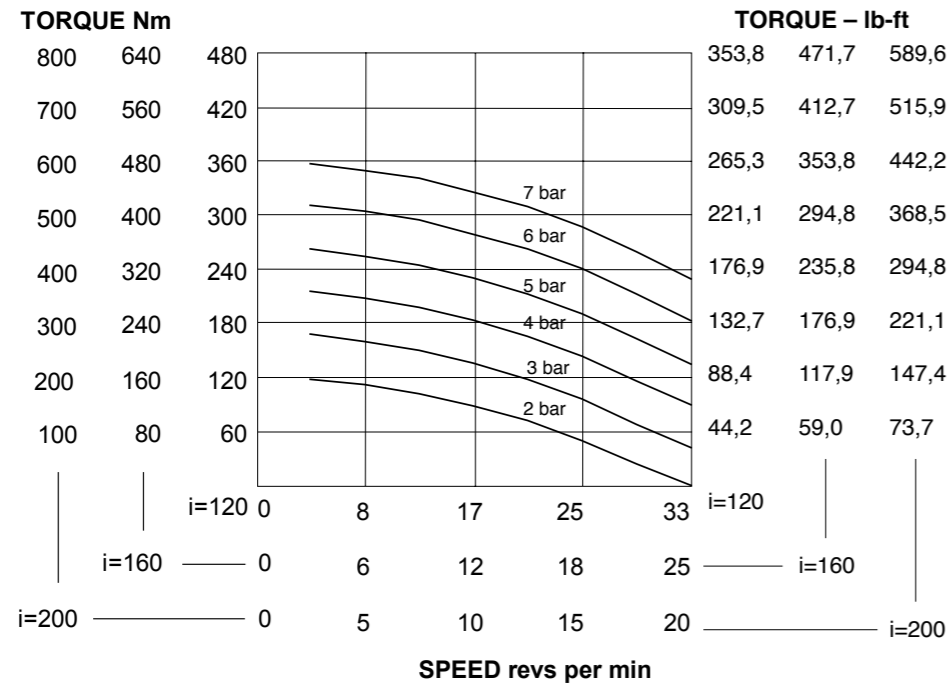
AIRLINE FILTRATION AND LUBRICATION

Use 64 micron filtration or better. Choose a lubricator suitable for the flow required. Prior to initial start-up, inject oil into the inlet port.

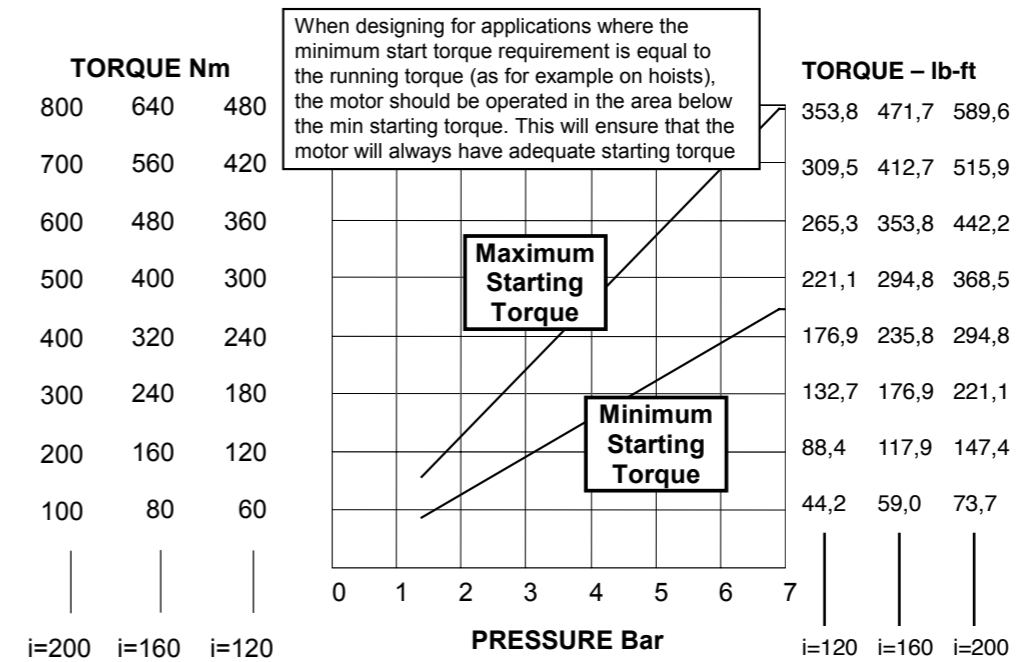
Lubricator drop rate 4-5 drops/minute continuous operation

Lubricator drop rate 9-12 drops/minute intermittent operation

TORQUE - SPEED

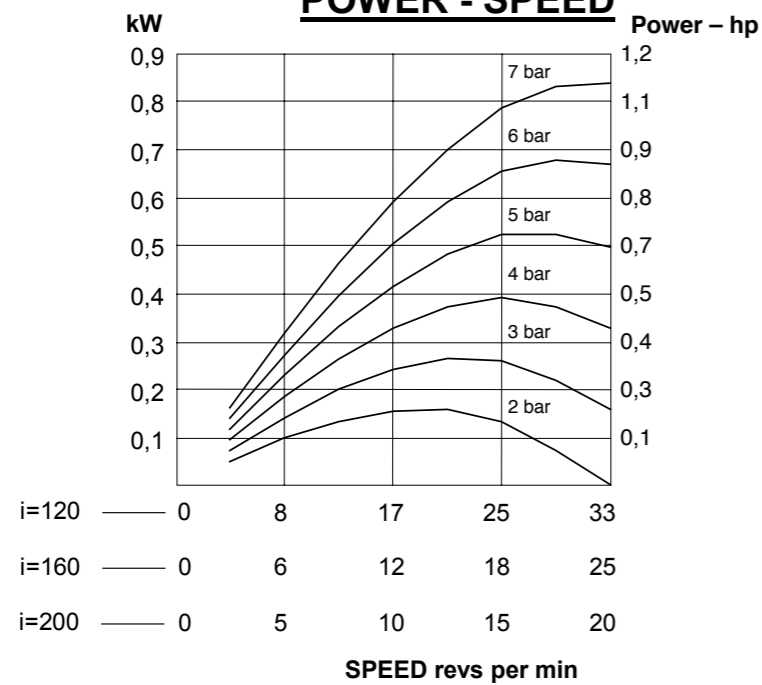


TORQUE - PRESSURE



STARTING TORQUE will vary between the minimum and maximum levels shown. The actual starting torque will depend on the air inlet pressure and the motor crank position.

POWER - SPEED



Muffler supplied with motor.

Motor is reversible.

ATTITUDE

The motor can be operated in all positions.

Maximum temperature -20°C to +80°C (-4°F to +176°F).

Maximum radial load: 8770 N

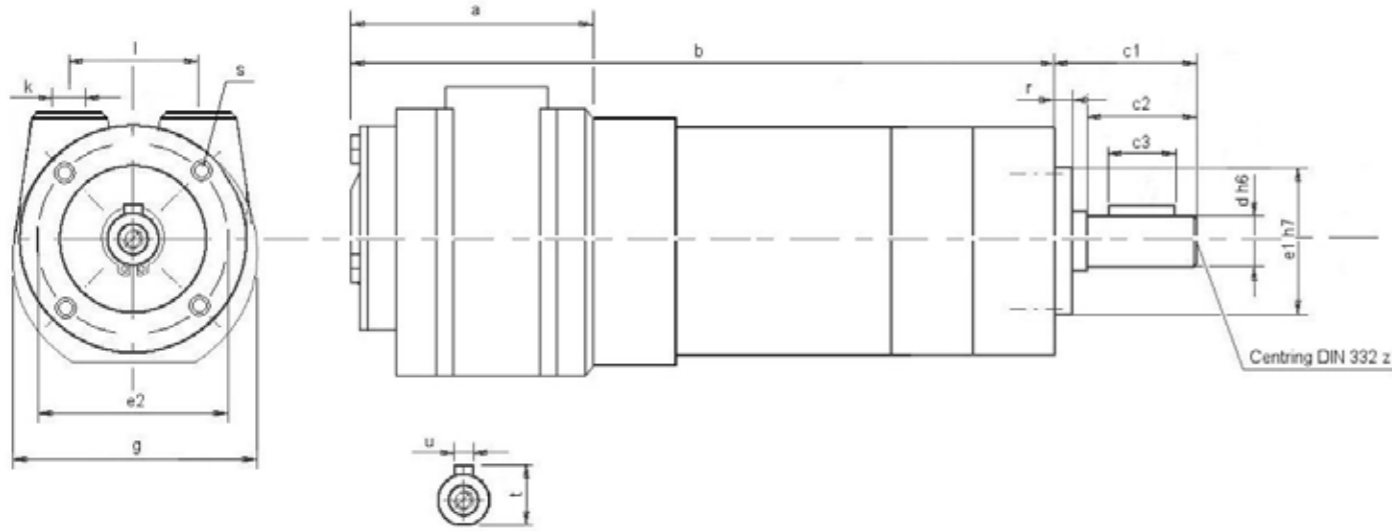
Maximum axial load: 7730 N

AIRLINE FILTRATION AND LUBRICATION

Use 64 micron filtration or better. Choose a lubricator suitable for the flow required. Prior to initial start-up, inject oil into the inlet port.

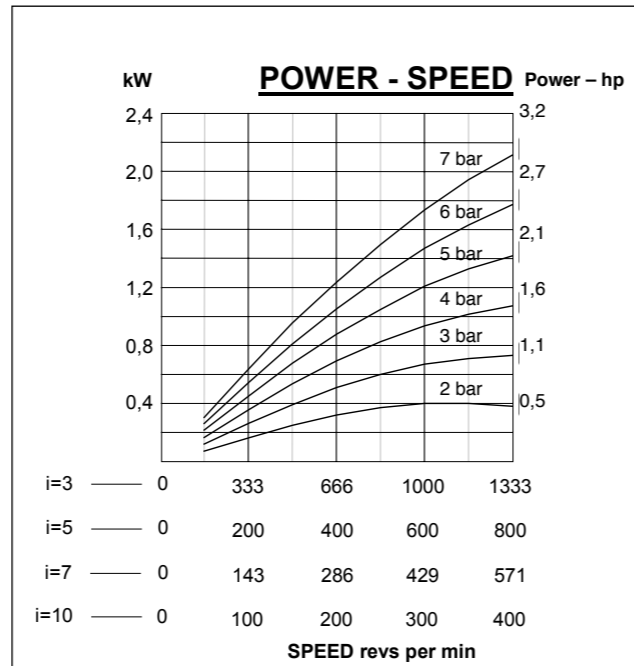
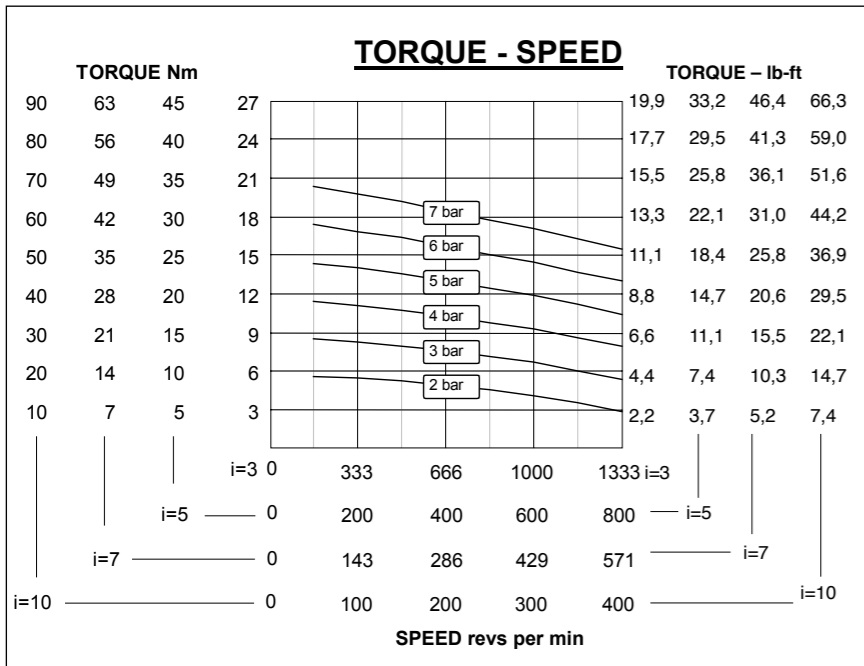
Lubricator drop rate 4-5 drops/minute continuous operation

Lubricator drop rate 9-12 drops/minute intermittent operation

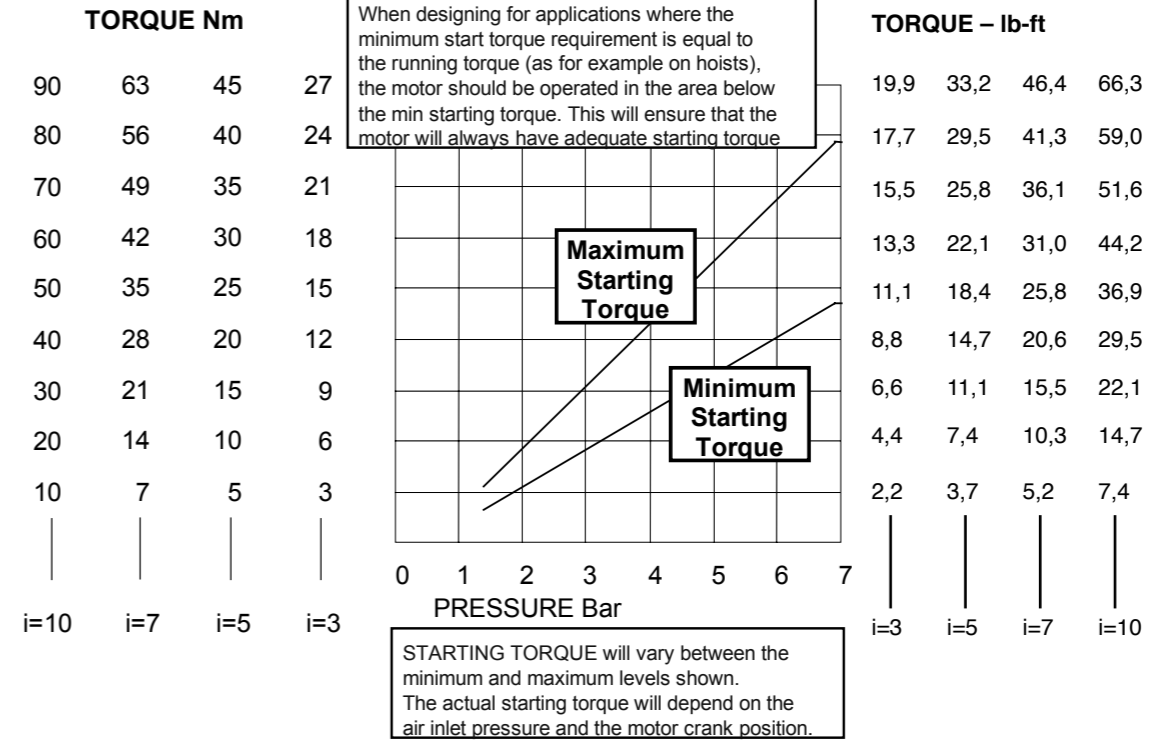


| Motor | i | a | b | c1 | c2 | c3 | d | e1 | e2 | f | g |
|------------------------|----------|---------------|-----------------|---------------|---------------|---------------|-----------------|------------------|----------------|----------------|----------------|
| VA4PFG03 | 3 5 7 10 | 89 (3.50") | 213 (8.39") | 49 (1.93") | 40 (1.57") | 32 (1.26") | 20h6 (0.79") | 55h7 (2.17") | 70 (2.76") | 85 (3.35") | 102 (4.02") |
| VA4PFG04 | 16 20 | 89 (3.50") | 244 (9.61") | 49 (1.93") | 40 (1.57") | 32 (1.26") | 20h6 (0.79") | 55h7 (2.17") | 70 (2.76") | 85 (3.35") | 102 (4.02") |
| VA4PFG06 | 20 28 40 | 89 (3.50") | 271 (10.67") | 61 (2.40") | 50 (1.97") | 40 (1.57") | 25h6 (0.98") | 80h7 (3.15") | 100 (3.94") | 120 (4.72") | 102 (4.02") |
| VA4PFG07 On request | 50 70 | 89 (3.50") | 309 (12.17") | 95 (3.74") | 80 (3.15") | 70 (2.76") | 40h6 (1.57") | 110h7 (4.33") | 130 (5.12") | 150 (5.91") | 102 (4.02") |

| Motor | k | l | r | s | t | u |
|------------------------|-------|------------|---------------|-------------------|-----------------|------------|
| VA4PFG03 | ½"NPT | 55 (2.17") | 8 (0.31") | M6x12 (0.47") | 22,5 (0.89") | 6 (0.24") |
| VA4PFG04 | ½"NPT | 55 (2.17") | 8 (0.31") | M6x12 (0.47") | 22,5 (0.89") | 6 (0.24") |
| VA4PFG06 | ½"NPT | 55 (2.17") | 10 (0.39") | M8x16 (0.63") | 28,0 (1.10") | 8 (0.31") |
| VA4PFG07 On request | ½"NPT | 55 (2.17") | 14 (0.55") | M10x20 (0.79") | 43,0 (1.69") | 12 (0.47") |



TORQUE - PRESSURE



Muffler supplied with motor.

Motor is reversible.

ATTITUDE

The motor can be operated in all positions.

Maximum temperature -20°C to +80°C

(-4°F to -176°F).

Maximum radial load: 1770 N

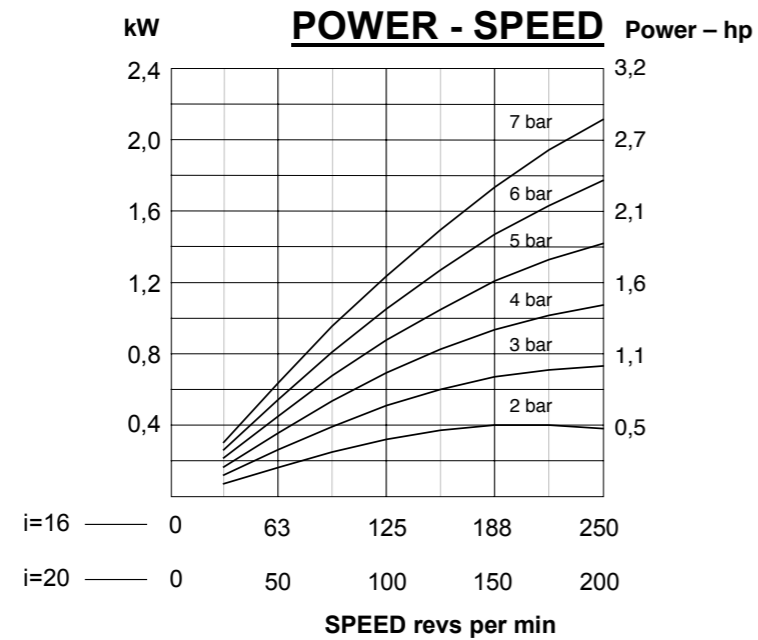
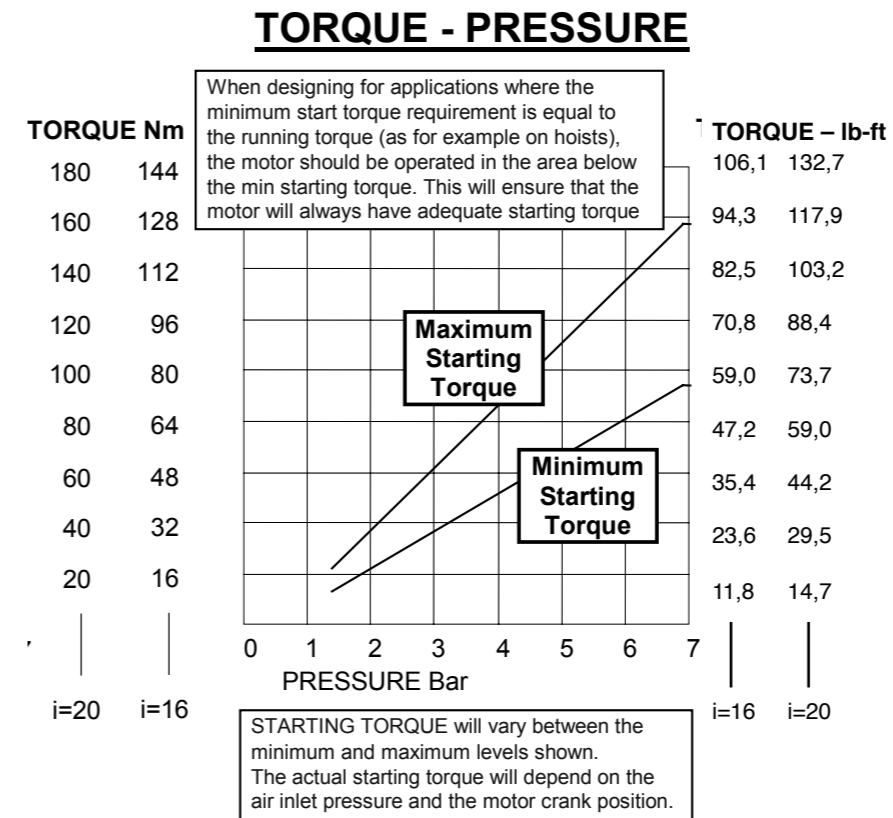
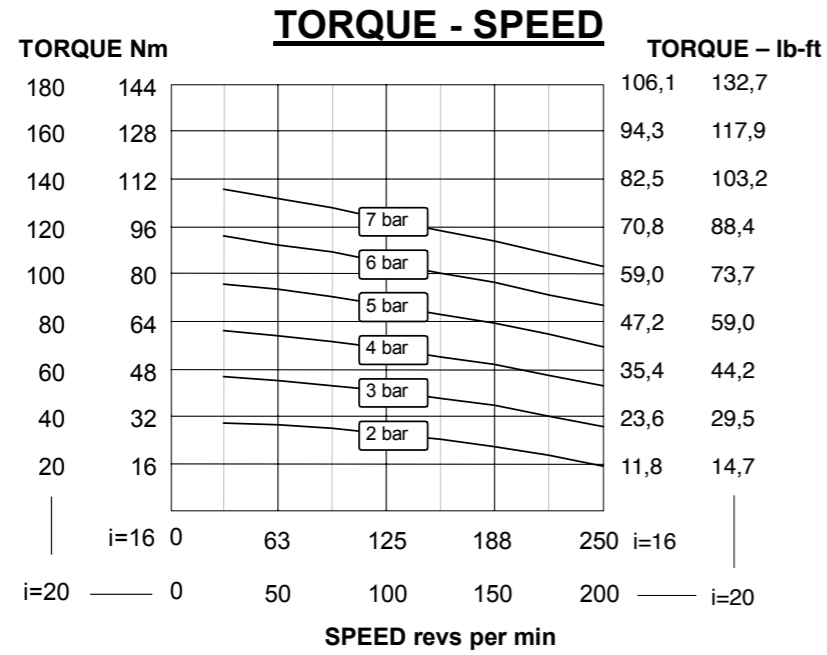
Maximum axial load: 2180 N

AIRLINE FILTRATION AND LUBRICATION

Use 64 micron filtration or better. Choose a lubricator suitable for the flow required. Prior to initial start-up, inject oil into the inlet port.

Lubricator drop rate 4-5 drops/minute continuous operation

Lubricator drop rate 9-12 drops/minute intermittent operation



Muffler supplied with motor.

Motor is reversible.

ATTITUDE

The motor can be operated in all positions.

Maximum temperature -20°C to +80°C (-4°F to +176°F).

Maximum radial load: 1770 N

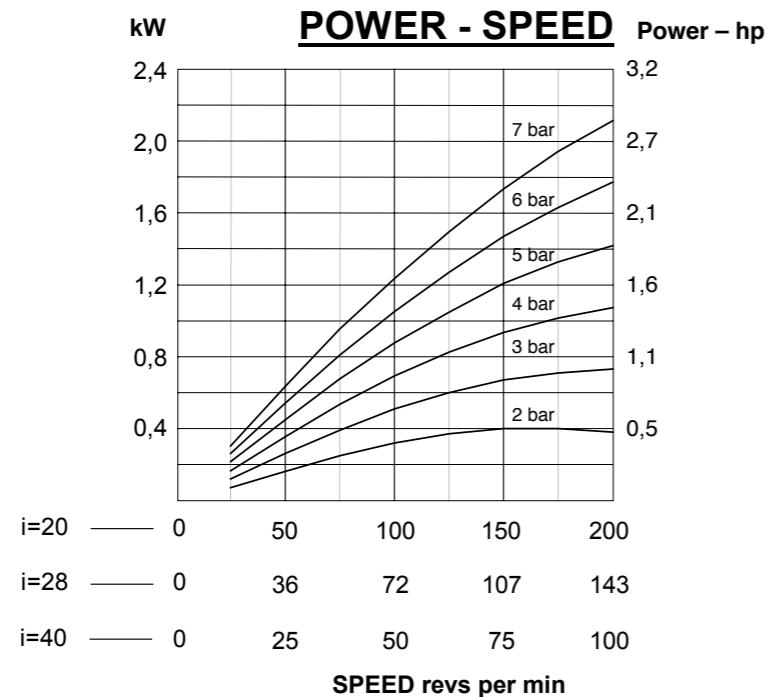
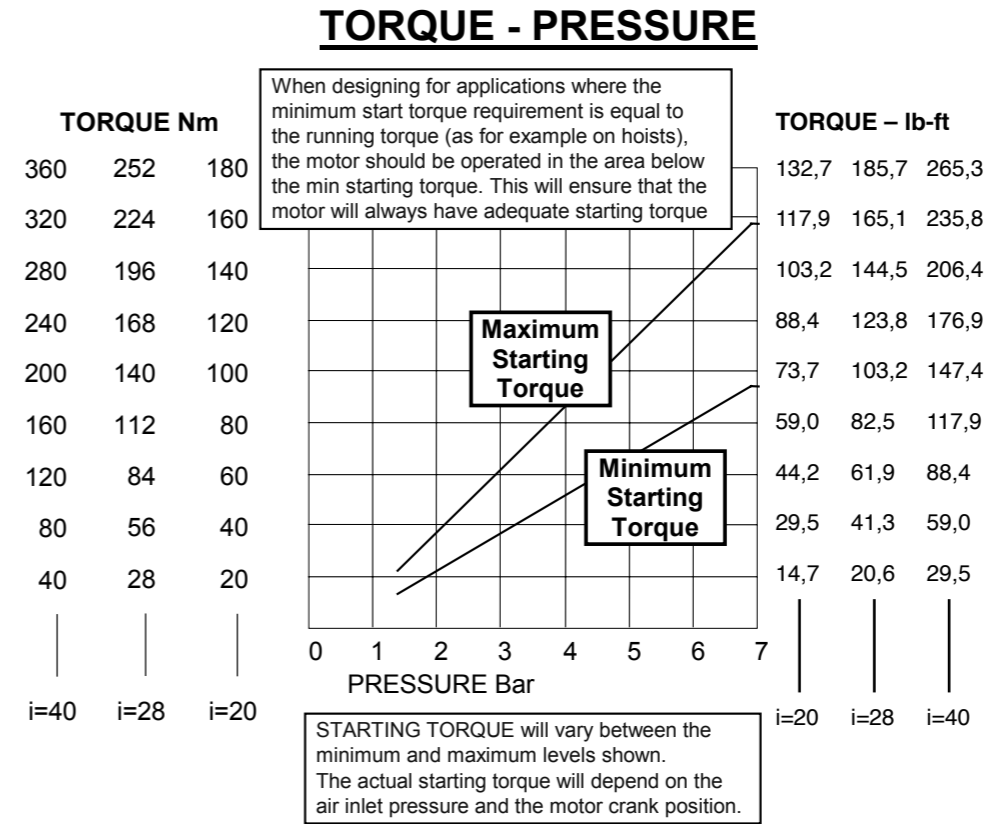
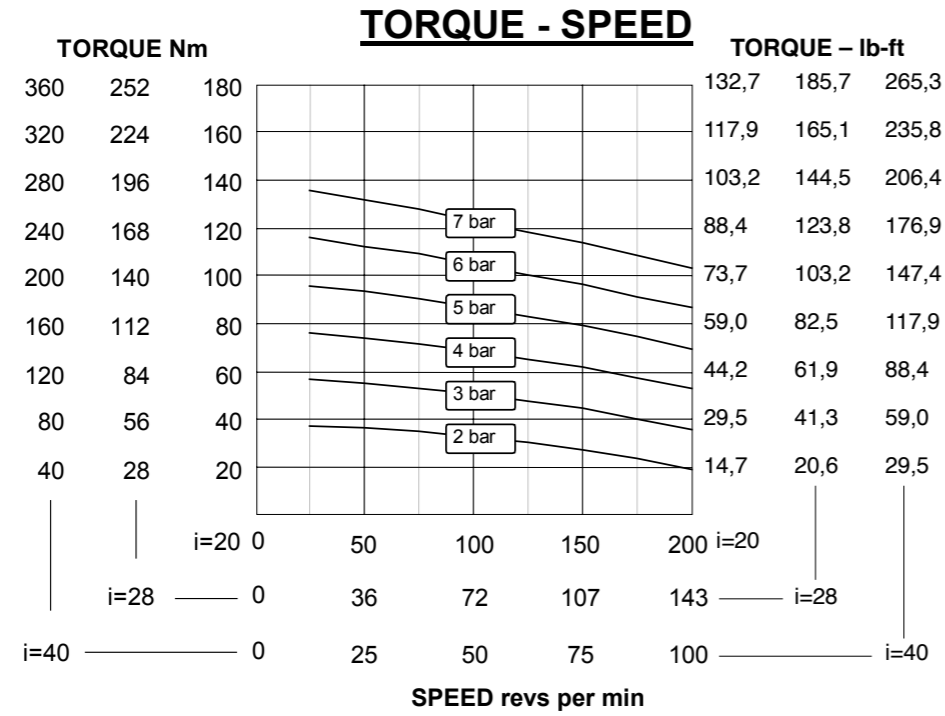
Maximum axial load: 2180 N

AIRLINE FILTRATION AND LUBRICATION

Use 64 micron filtration or better. Choose a lubricator suitable for the flow required. Prior to initial start-up, inject oil into the inlet port.

Lubricator drop rate 4-5 drops/minute continuous operation

Lubricator drop rate 9-12 drops/minute intermittent operation



Muffler supplied with motor.

Motor is reversible.

ATTITUDE

The motor can be operated in all positions.

Maximum temperature -20°C to +80°C (-4°F to +176°F).

Maximum radial load: 3000 N

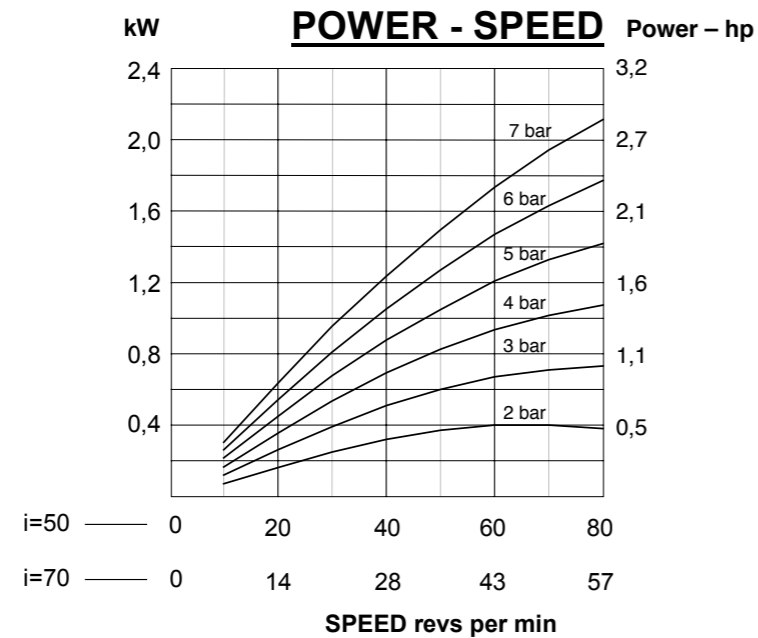
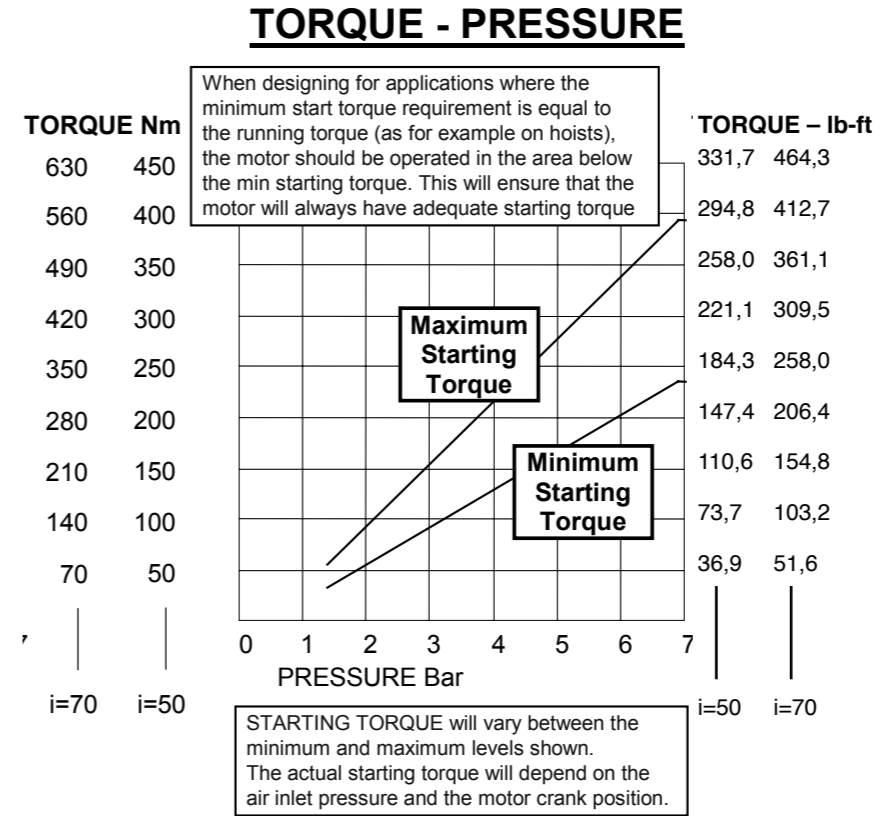
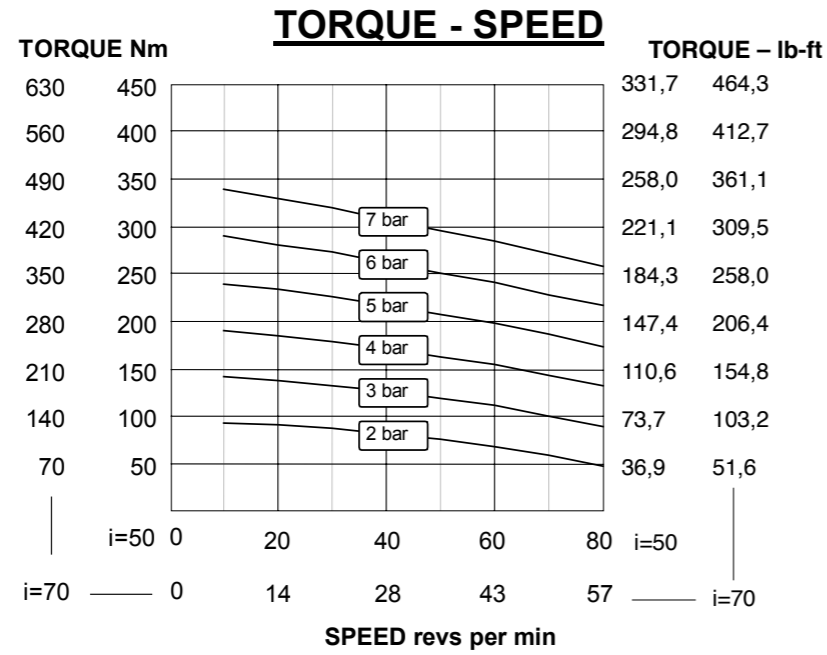
Maximum axial load: 3730 N

AIRLINE FILTRATION AND LUBRICATION

Use 64 micron filtration or better. Choose a lubricator suitable for the flow required. Prior to initial start-up, inject oil into the inlet port.

Lubricator drop rate 4-5 drops/minute continuous operation

Lubricator drop rate 9-12 drops/minute intermittent operation



Muffler supplied with motor.

Motor is reversible.

ATTITUDE

The motor can be operated in all positions.

Maximum temperature -20°C to +80°C (-4°F to +176°F).

Maximum radial load: 6770 N

Maximum axial load: 7730 N

AIRLINE FILTRATION AND LUBRICATION

Use 64 micron filtration or better. Choose a lubricator suitable for the flow required. Prior to initial start-up, inject oil into the inlet port.

Lubricator drop rate 4-5 drops/minute continuous operation

Lubricator drop rate 9-12 drops/minute intermittent operation



VANE AIR MOTORS WITH BRAKE

The GLOBE vane air motors are also available in combination with a pneumatic brake.

The GLOBE BN brakes are fail-safe brakes (spring engaged, air released). They can be used as a static brake and under certain conditions in dynamic applications.

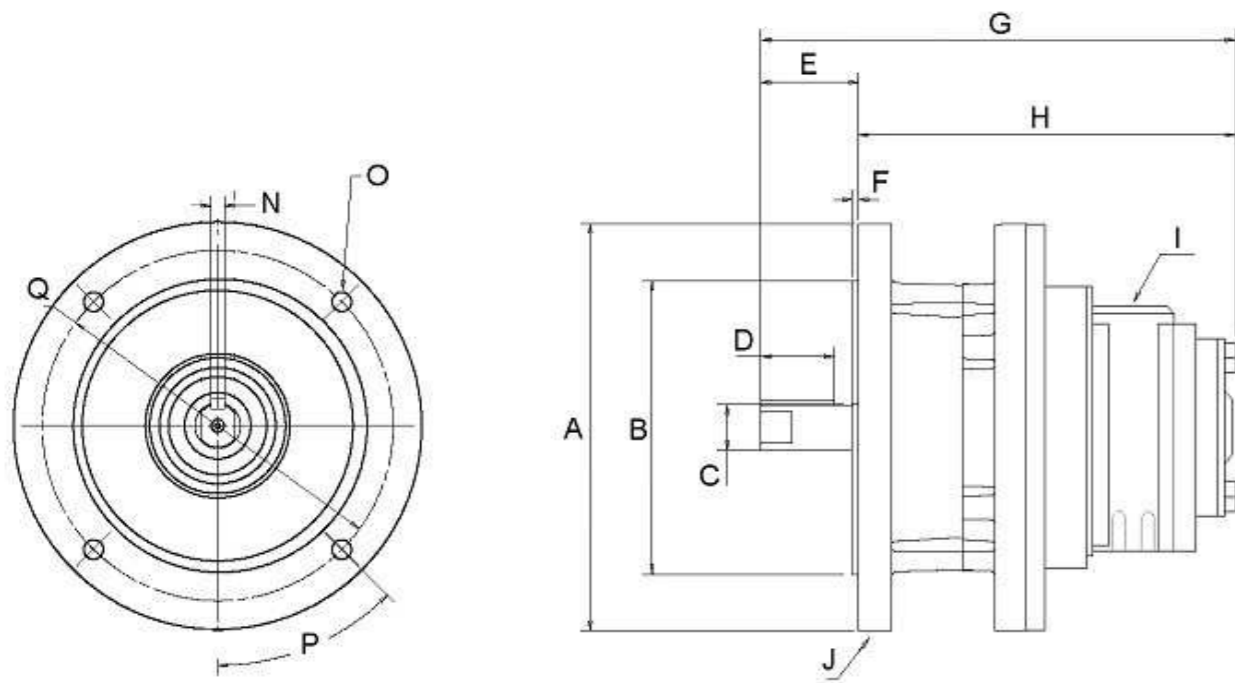
The pneumatic brake is mounted directly onto the vane air motor.

Vane air motors with brake are certified according to the European Explosive Directive ATEX II cat. 2 G&D T3 (in static applications only).

THE ADVANTAGES OF THE VANE AIR MOTORS WITH BRAKE INCLUDE:

- Braked vane air motors can be used in hold and emergency stop
- Field serviceable;
- Easy flange connection according to IEC and NEMA standards;
- Low maintenance because very few parts are exposed to wear;
- Compact design;
- Easy interchangeable because of independent brake module;
- Cast-iron or steel housing and excellent thermal capacity for use in harsh environments;
- Long life-time;
- Certified according to the European Explosive Directive ATEX II cat. 2 G&D T3.

GLOBE VANE MOTOR WITH BN BRAKE



| Braked air motor type | A Ø | B Ø | C Ø | D | E | F | G | H | I |
|-----------------------|-------------|---------------|--------------|------------|------------|-------------|--------------|--------------|---------|
| VS4BN71 | 160 (6.30") | 110H7 (4.33") | 14H7 (0.55") | 25 (0.98") | 30 (1.18") | 3,5 (0.14") | 240 (9.45") | 210 (8.27") | ½ BSP |
| VS6BN90 | 200 (7.87") | 130H7 (5.12") | 24H7 (0.94") | 35 (1.38") | 50 (1.97") | 5 (0.20") | 347 (13.66") | 297 (11.69") | ¾ BSP |
| VS8BN90 | 200 (7.87") | 130H7 (5.12") | 24H7 (0.94") | 35 (1.38") | 50 (1.97") | 5 (0.20") | 350 (13.78") | 300 (11.81") | 1 BSP |
| VS10BN100 | 250 (9.84") | 180H7 (7.09") | 28H7 (1.10") | 55 (2.17") | 60 (2.36") | 5 (0.20") | 388 (15.28") | 328 (12.91") | 1 ¼ BSP |

| Braked air motor type | J | N | O Ø | P | Q Ø |
|-----------------------|--------|-----------|------------|------------|-------------|
| VS4BN71 | 1/8BSP | 5 (0.20") | 10 (0.39") | 45 (1.77") | 130 (5.12") |
| VS6BN90 | 1/8BSP | 8 (0.31") | 10 (0.39") | 45 (1.77") | 165 (6.50") |
| VS8BN90 | 1/8BSP | 8 (0.31") | 10 (0.39") | 45 (1.77") | 165 (6.50") |
| VS10BN100 | 1/4BSP | 8 (0.31") | 12 (0.47") | 45 (1.77") | 215 (8.46") |

| | | Holding Torque | Release pressure |
|------------------------|--------------|--------------------|------------------|
| VS4BN71 | IEC 71 (B5) | 14 Nm / 10.3 lb-ft | 3,4 bar / 50 psi |
| VS6BN90/VS8BN90 | IEC 90 (B5) | 29 Nm / 21.4 lb-ft | 3,4 bar / 50 psi |
| VS10BN100 | IEC 100 (B5) | 50 Nm / 36.9 lb-ft | 3,4 bar / 50 psi |



DIRECT CONTROLLED VANE AIR MOTORS

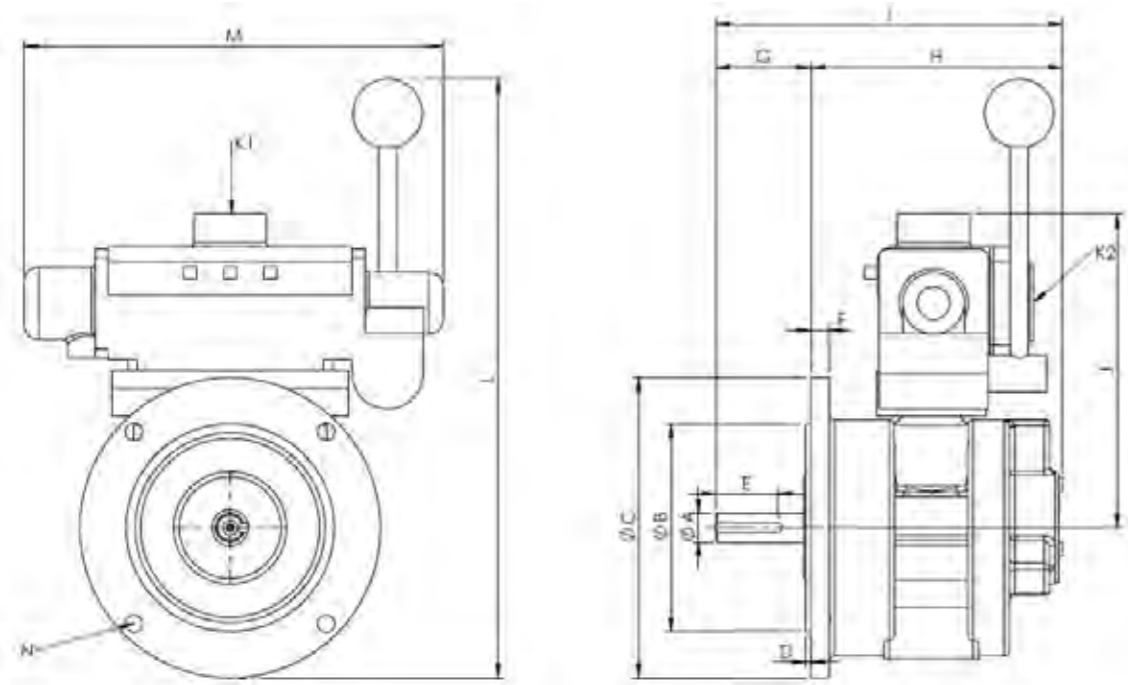
The GLOBE vane air motors can also be used in combination with a control valve which is directly mounted on top of the motor.

The control valves are available in two different types, the remote controlled and hand controlled valves. The control valves are proportional and allow the user to control the speed and direction of the air motor.

ADVANTAGES OF THE DIRECT CONTROLLED VANE AIR MOTORS ARE:

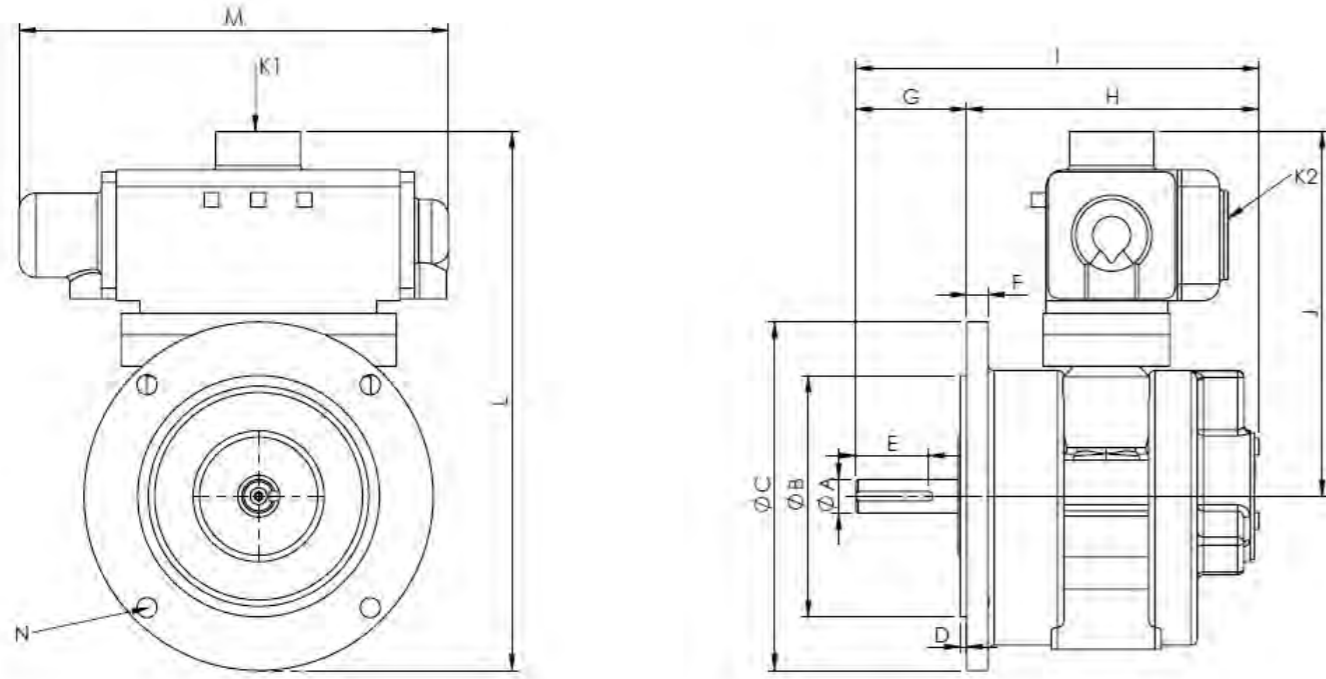
- Compact build because the control valve is mounted directly on the motor.
- Both remote and hand control possible.
- Proportional valves, allowing the user to have better control over the speed.
- The control valves are also certified according to the European Explosive Directive ATEX II cat. 2 G&D T5.
- Control valves have a biased option for normal speed in hoisting and reduced speed in lowering. This option is very common in winching applications.





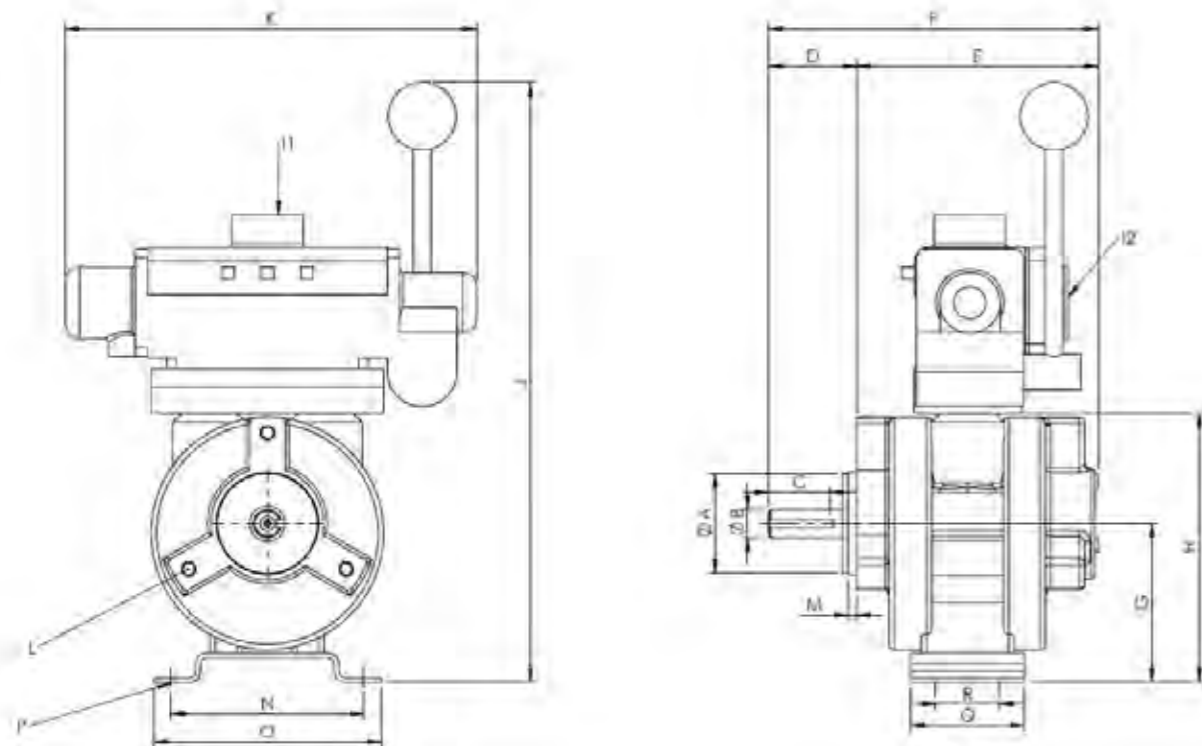
| Motor with Hand controlled valve | A Ø | B Ø | C Ø | D | E | F | G | H |
|-----------------------------------|---------------------|--------------------|---------------|--------------|--|----------------|----------------|-------------------|
| VA2C NEMA+ HCV110 | 15.875 (0.6250") | 114.27 (4.499") | 165 (6.5") | 3 (0.12") | No key | 10 (0.393") | 52 (2.05") | 117.25 (4.61") |
| | 15.862 (0.6245") | 114.20 (4.496") | | | | | | |
| VA4C NEMA+ HCV210 | 15.875 (0.6250") | 114.27 (4.499") | 165 (6.5") | 3 (0.12") | Key 3.18 (0.125") SQ 19 (0.75") Long | 10 (0.393") | 52 (2.05") | 115 (4.53") |
| | 15.862 (0.6245") | 114.20 (4.496") | | | | | | |
| VA6C NEMA+ HCV210 | 15.875 (0.6250") | 114.27 (4.499") | 165 (6.5") | 3 (0.12") | Key 4.76 (0.188") SQ 36.5 (1.438") Long | 10 (0.393") | 52 (2.05") | 138 (5.43") |
| | 15.862 (0.6245") | 114.20 (4.496") | | | | | | |
| VA8C NEMA+ HCV310 | 22.23 (0.875") | 114.30 (4.500") | 165 (6.5") | 3 (0.12") | Key 4.76 (0.188") SQ 36.5 (1.438") Long | 10 (0.393") | 54 (2.215") | 161 (6.33") |
| | 22.21 (0.874") | 114.23 (4.498") | | | | | | |
| VA10C NEMA+ HCV410 | 22.225 (0.875") | 114.27 (4.499") | 165 (6.5") | 4 (0.16") | Key 4.76 (0.188") SQ 36.5 (1.438") Long | 16 (0.63") | 54 (2.215") | 226 (8.89") |
| | 22.212 (0.8745") | 114.20 (4.496") | | | | | | |

| Motor with Hand controlled valve | I | J | K1 | K2 | L | M | N |
|-----------------------------------|-------------------|------------------|-------------------|--------------------|--------------------|-----------------|---|
| VA2C NEMA+ HCV110 | 169.25 (6.62") | 152.5 (6.00") | Inlet ½" BSP | Outlet ½" BSP | 356 (14.01") | 231 (9.09") | 4 holes - 3.8"-16-UNC equispaced on 149.23 (5.875") P.C.D. |
| | 167 (6.57") | 150.5 (5.92") | Inlet ¾" BSP | Outlet ¾" BSP | 307.3 (12.10") | 230 (9.05") | 4 holes - 3.8"-16-UNC equispaced on 149.23 (5.875") P.C.D. |
| VA6C NEMA+ HCV210 | 190 (7.48") | 172.5 (6.79") | Inlet ¾" BSP | Outlet ¾" BSP | 329.3 (12.96") | 230 (9.05") | 4 holes - 3.8"-16-UNC equispaced on 149.23 (5.875") P.C.D. |
| | 215 (8.47") | 192 (7.56") | Inlet 1" BSP | Outlet 1" BSP | 353.84 (13.93") | 311 (12.24") | 4 holes - 3.8"-16-UNC equispaced on 149.23 (5.875") P.C.D. |
| VA10C NEMA+ HCV410 | 280 (11.03") | 218.7 (8.61") | Inlet 1 ¼" BSP | Outlet 1 ¼" BSP | 379.93 (14.96") | 313 (12.32") | 4 holes - 3.8"-16-UNC equispaced on 149.23 (5.875") P.C.D. |



| Motor with Remote controlled valve | A Ø | B Ø | C Ø | D | E | F | G | H |
|------------------------------------|---------------------|--------------------|---------------|--------------|-------------------------|----------------|----------------|-------------------|
| VA2C NEMA+RCV110 | 15.875 (0.6250") | 114.27 (4.499") | 165 (6.5") | 3 (0.12") | No key | 10 (0.393") | 52 (2.05") | 109.25 (4.30") |
| | 15.862 (0.6245") | 114.20 (4.496") | | | | | | |
| VA4C NEMA+RCV210 | 15.875 (0.6250") | 114.27 (4.499") | 165 (6.5") | 3 (0.12") | Key 3.18 (0.125") SQ | 10 (0.393") | 52 (2.05") | 109.25 (4.30") |
| | 15.862 (0.6245") | 114.20 (4.496") | | | 19 (0.75") Long | | | |
| VA6C NEMA+RCV210 | 15.875 (0.6250") | 114.27 (4.499") | 165 (6.5") | 3 (0.12") | Key 4.76 (0.188") SQ | 10 (0.393") | 52 (2.05") | 138 (5.43") |
| | 15.862 (0.6245") | 114.20 (4.496") | | | 36.5 (1.438") Long | | | |
| VA8C NEMA+RCV310 | 22.23 (0.875") | 114.30 (4.500") | 165 (6.5") | 3 (0.12") | Key 4.76 (0.188") SQ | 10 (0.393") | 54 (2.215") | 161 (6.33") |
| | 22.21 (0.874") | 114.23 (4.498") | | | 36.5 (1.438") Long | | | |
| VA10C NEMA+RCV410 | 22.225 (0.875") | 114.27 (4.499") | 165 (6.5") | 4 (0.16") | Key 4.76 (0.188") SQ | 16 (0.63") | 54 (2.215") | 226 (8.89") |
| | 22.212 (0.8745") | 114.20 (4.496") | | | 36.5 (1.438") Long | | | |

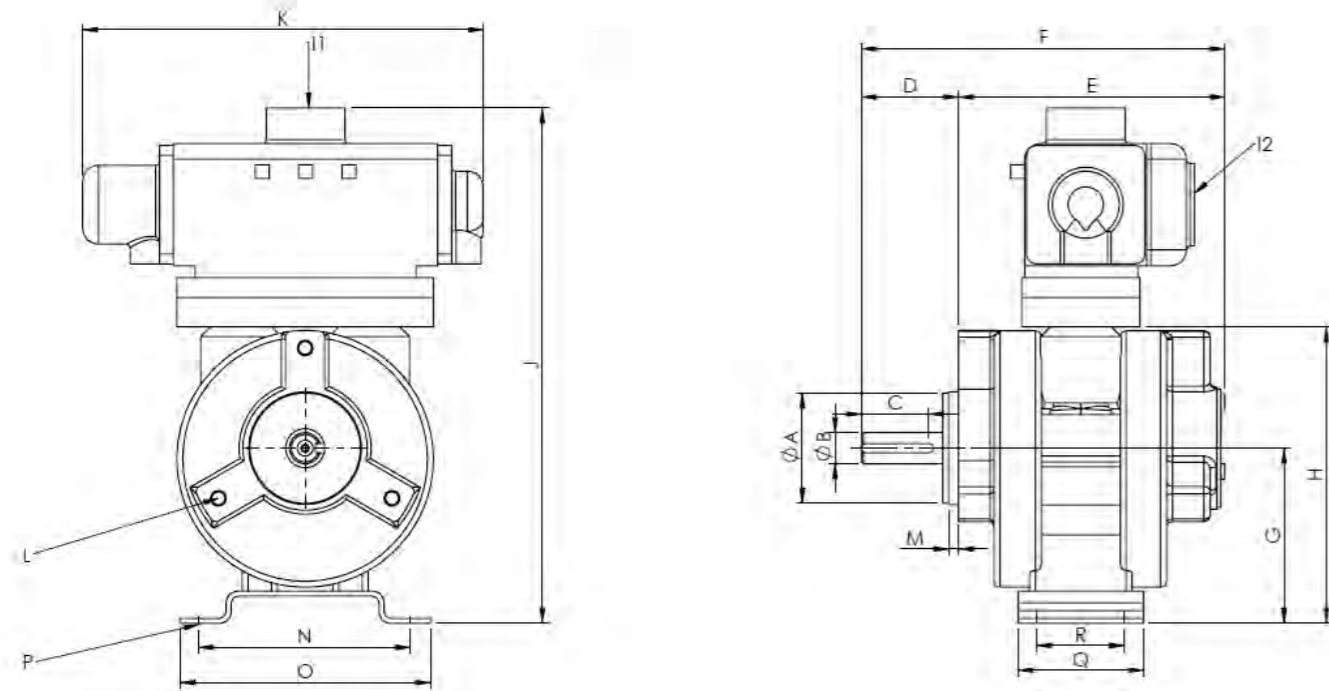
| Motor with Remote controlled valve | I | J | K1 | K2 | L | M | N |
|------------------------------------|-------------------|------------------|-------------------|--------------------|-------------------|-----------------|---|
| VA2C NEMA+RCV110 | 161.25 (6.35") | 152.5 (6.00") | Inlet ½"BSP | Outlet ½" BSP | 235 (9.25") | 203 (7.99") | 4 holes - 3.8"-16- UNC equispaced on 149.23 (5.875") P.C.D. |
| | | | | | | | |
| VA4C NEMA+RCV210 | 161.25 (6.35") | 150.5 (5.92") | Inlet ¾"BSP | Outlet ¾"BSP | 233 (9.17") | 203 (7.99") | 4 holes - 3.8"-16- UNC equispaced on 149.23 (5.875") P.C.D. |
| | | | | | | | |
| VA6C NEMA+RCV210 | 190 (7.48") | 172.5 (6.79") | Inlet ¾"BSP | Outlet ¾"BSP | 255 (10.04") | 203 (7.99") | 4 holes - 3.8"-16- UNC equispaced on 149.23 (5.875") P.C.D. |
| | | | | | | | |
| VA8C NEMA+RCV310 | 215 (8.47") | 193 (7.60") | Inlet 1"BSP | Outlet 1"BSP | 275.5 (10.84") | 275 (10.83") | 4 holes - 3.8"-16- UNC equispaced on 149.23 (5.875") P.C.D. |
| | | | | | | | |
| VA10C NEMA+RCV410 | 280 (11.03") | 218.7 (8.61") | Inlet 1 ¼" BSP | Outlet 1 ¼" BSP | 307.5 (12.10") | 278 (10.94") | 4 holes - 3.8"-16- UNC equispaced on 149.23 (5.875") P.C.D. |
| | | | | | | | |



| Motor with Hand controlled valve | A Ø | B Ø | C | D | E | F | G |
|-------------------------------------|-------------------|---------------------|--|-----------------|--------------------|--------------------|-------------------|
| VA2J&X+HCV110 | 44.42 (1.749") | 12.7 (0.5000") | No key | 44.5 (1.75") | 117,75 (4.635") | 148,25 (5.836") | 88,85 (3.5") |
| | 44.38 (1.747") | 12.687 (0.4995") | | | | | |
| VA4J&X+HCV210 | 44.42 (1.749") | 12.7 (0.5000") | Key 3.18 (0.125") SQ 19 (0.75") Long | 44.5 (1.75") | 101 (3.976") | 145,5 (5.728") | 89 (3.504") |
| | 44.38 (1.747") | 12.687 (0.4995") | | | | | |
| VA6J&X+HCV210 | 57.15 (2.250") | 15.875 (0.625") | Key 4.76 (0.188") SQ 36.5 (1.438") Long | 49.2 (1.94") | 135 (5.31") | 184,2 (7.252") | 88,9 (3.5") |
| | 57.10 (2.248") | 15.862 (0.624") | | | | | |
| VA8J&X+HCV310 | 76.2 (3.00") | 19.06 (0.750") | Key 28 (1.10") | 53 (2.09") | 149 (5.866") | 202 (7.97") | 89 (3.504") |
| | 76.1 (2.996") | 19.04 (0.749") | | | | | |
| VA10J&X+HCV410 | 98.42 (3.875") | 28.575 (1.1250") | Key 6.35 (0.250") SQ 44.5 (1.75") Long | 103 (4.06") | 199 (7.834") | 302 (11.88") | 101.6 (4.000") |
| | 98.37 (3.873") | 28.560 (1.1244") | | | | | 101.3 (3.988") |

| Motor with Hand controlled valve | H | I1 | I2 | J | K | L |
|-------------------------------------|-------------------|-------------------|-------------------|---------------------|-----------------|---|
| VA2J&X+HCV110 | 140,35 (5.53") | Inlet ½"BSP | Outlet ½"BSP | 362,35 (14.265") | 231 (9.09") | 3 holes ¼"-20 UNC x 12 (0.47") Deep spaced on 63.5 (2.5") P.C.D. |
| VA4J&X+HCV210 | 138,5 (5.452") | Inlet ¾"BSP | Outlet ¾"BSP | 314 (12.362") | 230 (9.05") | 3 holes ¼"-20 UNC x 12 (0.47") Deep spaced on 63.5 (2.5") P.C.D. |
| VA6J&X+HCV210 | 150,5 (5.94") | Inlet ¾"BSP | Outlet ¾"BSP | 335 (13.188") | 230 (9.05") | 3 holes 5/16"-18 UNC X 20 (25/32") deep equispaced on 101.6 (4.000") P.C.D. |
| VA8J&X+HCV310 | 160 (6.31") | Inlet 1" BSP | Outlet 1" BSP | 360 (14.173") | 311 (12.24") | 4 holes tapped 3/8"-16 UNC x 16 (0.63") deep equispaced on 98.43 (3.875") P.C.D. |
| VA10J&X+HCV410 | 187 (7.38") | Inlet 1 ¼" BSP | Outlet 1 ¼"BSP | 393 (15.472") | 313 (12.32") | 4 holes 7/16"-14 UNC x 16 (0.63") deep equispaced on 123.8 (4.874") P.C.D. |

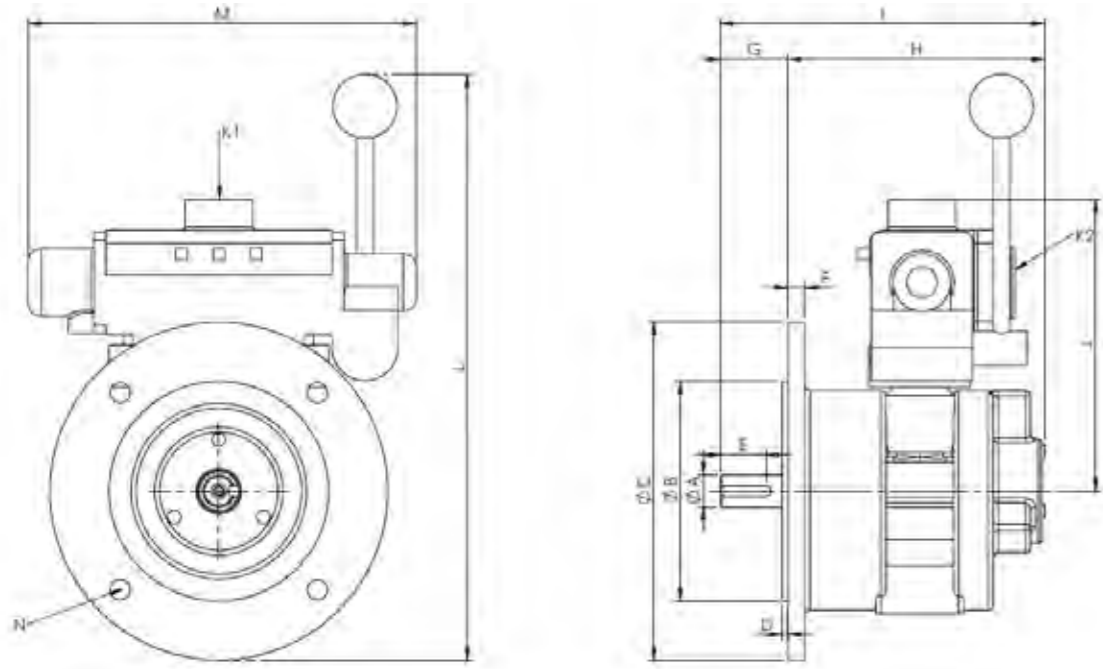
| Motor with Hand controlled valve | M | N | O | P | Q | R |
|-------------------------------------|---------------|--------------------|----------------|-----------------------------------|-----------------|-------------------|
| VA2J&X+HCV110 | 16 (0.63") | 76 (3.0") | 90 (3.54") | 4 mounting holes Ø7 (0.28") | 38 (1.5") | 24 (0.94") |
| VA4J&X+HCV210 | 16 (0.63") | 76 (3.0") | 90 (3.54") | 4 mounting holes Ø7 (0.28") | 38 (1.5") | 24 (0.94") |
| VA6J&X+HCV210 | 5 (0.2") | 108 (4.250") | 127 (5.00") | 4 mounting holes Ø9 (11/32") | 63.5 (2.50") | 44.4 (1.75") |
| VA8J&X+HCV310 | x | 114.3 (4.50") | 134 (5.26") | 4 mounting holes Ø9 (11/32") | 72 (2.84") | 51 (2.00") |
| VA10J&X+HCV410 | x | 171.45 (6.750") | 200 (7.88") | 4 mounting holes Ø10.3 (4.06") | 102 (4.00") | 69.85 (2.750") |



| Motor with Remote controlled valve | A ∅ | B ∅ | C | D | E | F | G |
|------------------------------------|-------------------|---------------------|--|-----------------|-------------------|--------------------|-------------------|
| VA2J&X+RCV110 | 44.42 (1.749") | 12.7 (0.5000") | No key | 44.5 (1.75") | 95.75 (3.769") | 140.25 (5.521") | 88.85 (3.5") |
| | 44.38 (1.747") | 12.687 (0.4995") | | | | | |
| VA4J&X+RCV210 | 44.42 (1.749") | 12.7 (0.5000") | Key 3.18 (0.125") SQ 19 (0.75") Long | 44.5 (1.75") | 95.25 (3.75") | 139.75 (5.502") | 89 (3.504") |
| | 44.38 (1.747") | 12.687 (0.4995") | | | | | |
| VA6J&X+RCV210 | 57.15 (2.250") | 15.875 (0.625") | Key 4.76 (0.188") SQ 36.5 (1.438") Long | 49.2 (1.94") | 135 (5.31") | 184.2 (7.251") | 88.9 (3.5") |
| | 57.10 (2.248") | 15.862 (0.624") | | | | | |
| VA8J&X+RCV310 | 76.2 (3.00") | 19.06 (0.750") | Key 28 (1.10") | 53 (20.9") | 149 (5.866") | 202 (7.952") | 89 (3.504") |
| | 76.1 (2.996") | 19.04 (0.749") | | | | | |
| VA10J&X+RCV410 | 98.42 (3.875") | 28.575 (1.125") | Key 6.35 (0.250") SQ 44.5 (1.75") Long | 103 (4.06") | 199 (7.834") | 302 (11.89") | 101.6 (4.000") |
| | 98.37 (3.873") | 28.560 (1.124") | | | | | 101.3 (3.988") |

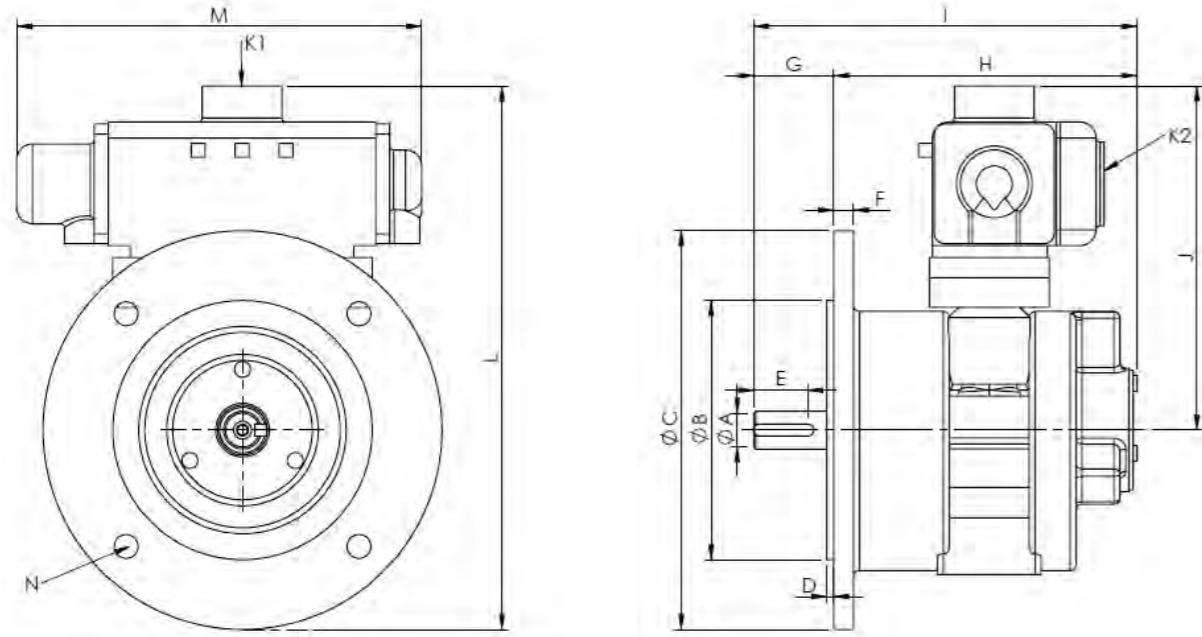
| Motor with Remote controlled valve | H | I1 | I2 | J | K | L |
|------------------------------------|--------------------|-------------------|-------------------|--------------------|------------------|---|
| VA2J&X+RCV110 | 140.35 (5.525") | Inlet ½"BSP | Outlet ½"BSP | 241.35 (9.502") | 203 (7.992") | 3 holes ¼"-20 UNC x 12 (0.47") Deep spaced on 63.5 (2.5") P.C.D. |
| VA4J&X+RCV210 | 138.5 (5.452") | Inlet ¾"BSP | Outlet ¾"BSP | 239.4 (9.425") | 203 (7.992") | 3 holes ¼"-20 UNC x 12 (0.47") Deep spaced on 63.5 (2.5") P.C.D. |
| VA6J&X+RCV210 | 150.5 (5.94") | Inlet ¾"BSP | Outlet ¾"BSP | 261.4 (10.291") | 203 (7.992") | 3 holes 5/16"-18 UNC X 20 (25/32") deep equispaced on 101.6 (4.000") P.C.D. |
| VA8J&X+RCV310 | 160 (6.31") | Inlet 1" BSP | Outlet 1"BSP | 282 (11.102") | 275 (10.826") | 4 holes tapped 3/8"-16 UNC x 16 (0.63") deep equispaced on 98.43 (3.875") P.C.D. |
| VA10J&X+RCV410 | 187 (7.38") | Inlet 1 ¼" BSP | Outlet 1 ¼"BSP | 320.3 (12.610") | 278 (10.944") | 4 holes 7/16"-14 UNC x 16 (0.63") deep equispaced on 123.8 (4.874") P.C.D. |

| Motor with Remote controlled valve | M | N | O | P | Q | R |
|------------------------------------|---------------|--------------------|-----------------|-----------------------------------|-----------------|-------------------|
| VA2J&X+RCV110 | 16 (0.63") | 76 (3.0") | 90 (3.54") | 4 mounting holes ∅7 (0.28") | 38 (1.5") | 24 (0.94") |
| VA4J&X+RCV210 | 16 (0.63") | 76 (3.0") | 90 (3.54") | 4 mounting holes ∅7 (0.28") | 38 (1.5") | 24 (0.94") |
| VA6J&X+RCV210 | 5 (0.2") | 108 (4.250") | 127 (5.000") | 4 mounting holes ∅9 (11/23") | 63.5 (2.50") | 44.4 (1.75") |
| VA8J&X+RCV310 | x | 114.3 (4.50") | 134 (5.26") | 4 mounting holes ∅9 (11/23") | 72 (2.84") | 51 (2.00") |
| VA10J&X+RCV410 | x | 171.45 (6.750") | 200 (7.88") | 4 mounting holes ∅10.3 (4.06") | 102 (4.00") | 69.85 (2.750") |



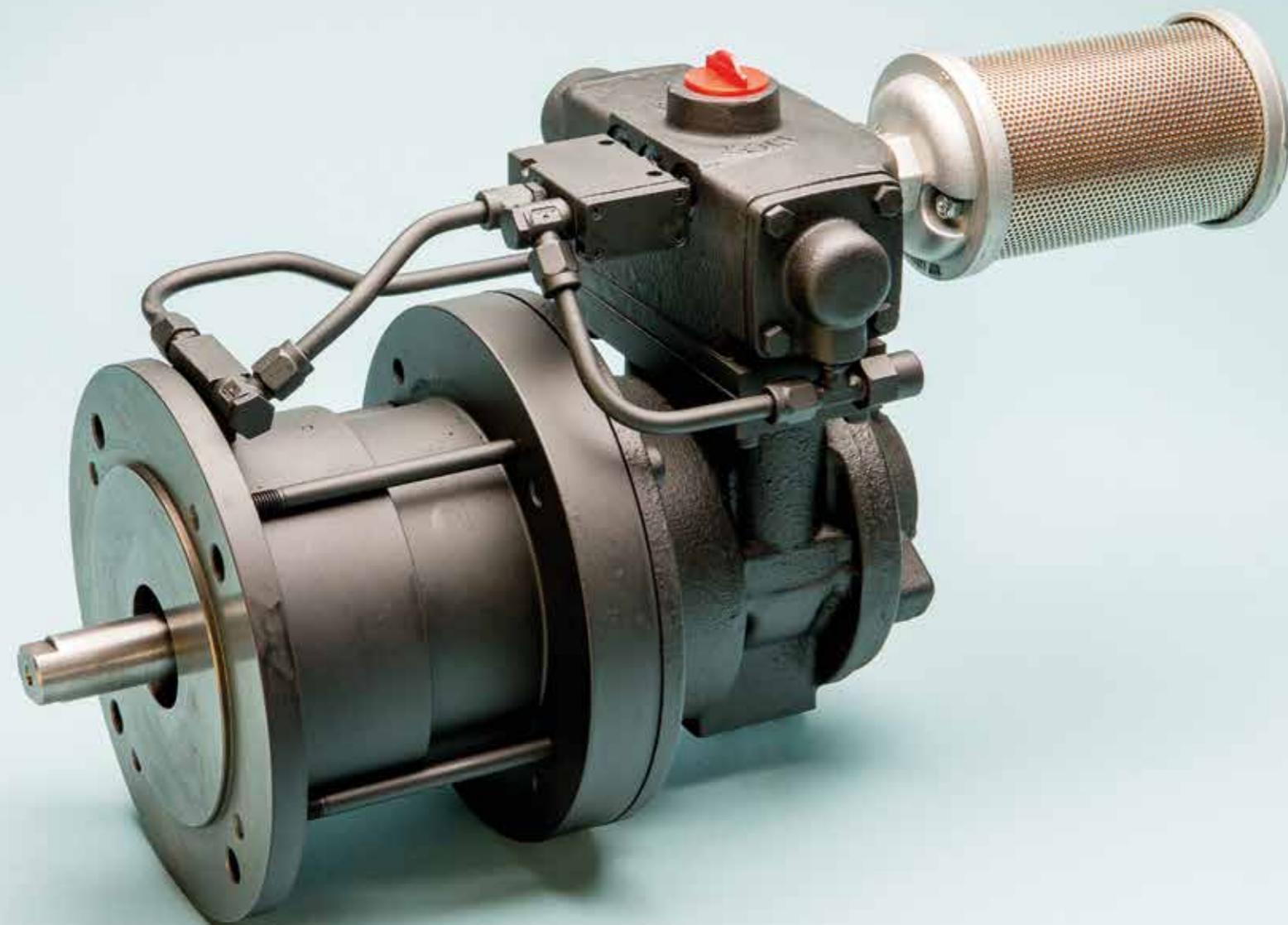
| Motor with Hand controlled valve | A Ø | B Ø | C Ø | D | E | F |
|-------------------------------------|---------------------|----------------------|----------------|----------------|--|---------------|
| VS2C+HCV110 | 14.012 (0.5516") | 110.000 (4.3307") | 160 (6.30") | 3.5 (0.14") | Key 5 (0.197") Square X 20 (0.78") Long rounded ends Tapped hole in shaft. M5X15 (0.59") Deep. | 9 (0.35") |
| | 14.001 (0.5512") | 109.946 (4.3286") | | | | |
| VS4C+HCV210 | 14.012 (0.5516") | 110.000 (4.3307") | 160 (6.30") | 3.5 (0.14") | Key 5 (0.197") Square X 20 (0.78") Long rounded ends Tapped hole in shaft. M5X15 (0.59") Deep. | 9 (0.35") |
| | 14.001 (0.5512") | 109.946 (4.3286") | | | | |
| VS6C+HCV210 | 19.009 (0.7484") | 130.000 (5.1181") | 200 (7.87") | 3.5 (0.14") | Key 6 (0.236") Square X 30 (1.18") Long rounded at one end. Tapped hole in shaft M6X15 (0.59") Deep. | 10 (0.39") |
| | 18.996 (0.7479") | 129.937 (5.1156") | | | | |
| VS8C+HCV310 | 24.009 (0.9452") | 130.000 (5.1181") | 200 (7.87") | 3.5 (0.14") | Key 8 (0.315") Square X 7 (0.276") Deep X 36 (1.42") Long rounded ends. Tapped hole in shaft M8X20 (0.79") Deep. | 10 (0.39") |
| | 23.996 (0.9447") | 129.937 (5.1156") | | | | |
| VS10C+HCV410 | 28.009 (1.1027") | 180.000 (7.0866") | 250 (9.84") | 4 (0.16") | Key 8 (0.315") Square X 7 (0.276") Deep X 45 (1.77") Long rounded ends. Tapped hole in shaft M10X25 (1") Deep. | 11 (0.43") |
| | 27.996 (1.1022") | 179.937 (7.0841") | | | | |

| Motor with Hand controlled valve | G | H | I | J | K1 | K2 | L | M | N |
|-------------------------------------|---------------|-------------------|-------------------|------------------|------------------|-------------------|-------------------|-----------------|---|
| VS2C+HCV110 | 30 (1.18") | 117.25 (4.61") | 147.25 (5.80") | 152.5 (6.00") | Inlet ½"BSP | Outlet ½"BSP | 353.5 (13.92") | 231 (9.09") | 4 holes Ø9 (0.35") equispaced on 130 (5.118") P.C.D. |
| VS4C+HCV210 | 30 (1.18") | 114.5 (4.51") | 144.5 (5.69") | 150.5 (5.92") | Inlet ¾"BSP | Outlet ¾"BSP | 304.8 (12.00") | 230 (9.05") | 4 holes Ø9 (0.35") equispaced on 130 (5.118") P.C.D. |
| VS6C+HCV210 | 40 (1.57") | 152 (5.98") | 192 (7.56") | 172.5 (6.79") | Inlet ¾"BSP | Outlet ¾"BSP | 346.8 (13.65") | 230 (9.05") | 4 holes Ø12 (0.47") Equispaced on 165 (6.496") P.C.D. |
| VS8C+HCV310 | 50 (1.97") | 155 (6.10") | 205 (8.07") | 192 (7.56") | Inlet 1"BSP | Outlet 1"BSP | 371.3 (14.62") | 311 (12.24") | 4 holes Ø12 (0.47") Equispaced on 165 (6.496") P.C.D. |
| VS10C+HCV410 | 60 (2.36") | 225 (8.86") | 305 (12.01") | 218.7 (8.61") | Inlet 1 ¼"BSP | Outlet 1 ¼"BSP | 416.1 (16.38") | 313 (12.32") | 4 holes Ø15 (0.59") Equispaced on 215 (8.465") P.C.D. |



| Motor with Remote controlled valve | A Ø | B Ø | C Ø | D | E | F | G | H |
|------------------------------------|---------------------|----------------------|----------------|----------------|--|---------------|---------------|-------------------|
| VS2C+RCV110 | 14.012 (0.5516") | 110.000 (4.3307") | 160 (6.30") | 3.5 (0.14") | Key 5 (0.197") Square X 20 (0.78") Long rounded ends | 9 (0.35") | 30 (1.18") | 109.25 (4.30") |
| | 14.001 (0.5512") | 109.946 (4.3286") | | | Tapped hole in shaft. M5X15 (0.59") Deep. | | | |
| VS4C+RCV210 | 14.012 (0.5516") | 110.000 (4.3307") | 160 (6.30") | 3.5 (0.14") | Key 5 (0.197") Square X 20 (0.78") Long rounded ends | 9 (0.35") | 30 (1.18") | 108.75 (4.28") |
| | 14.001 (0.5512") | 109.946 (4.3286") | | | Tapped hole in shaft. M5X15 (0.59") Deep. | | | |
| VS6C+RCV210 | 19.009 (0.7484") | 130.000 (5.1181") | 200 (7.87") | 3.5 (0.14") | Key 6 (0.236") Square X 30 (1.18") Long rounded at one end. Tapped hole in shaft M6X15 (0.59") Deep. | 10 (0.39") | 40 (1.57") | 152 (5.98") |
| | 18.996 (0.7479") | 129.937 (5.1156") | | | | | | |
| VS8C+RCV310 | 24.009 (0.9452") | 130.000 (5.1181") | 200 (7.87") | 3.5 (0.14") | Key 8 (0.315") Square X 7 (0.276") Deep X 36 (1.42") Long rounded ends. Tapped hole in shaft M8X20 (0.79") Deep. | 10 (0.39") | 50 (1.97") | 155 (6.10") |
| | 23.996 (0.9447") | 129.937 (5.1156") | | | | | | |
| VS10C+RCV410 | 28.009 (1.1027") | 180.000 (7.0866") | 250 (9.84") | 4 (0.16") | Key 8 (0.315") Square X 7 (0.276") Deep X 45 (1.77") Long rounded ends. Tapped hole in shaft M10X25 (1") Deep. | 11 (0.43") | 60 (2.36") | 225 (8.86") |
| | 27.996 (1.1022") | 179.937 (7.0841") | | | | | | |

| Motor with Remote controlled valve | I | J | K1 | K2 | L | M | N |
|------------------------------------|-------------------|------------------|------------------|-------------------|-------------------|-----------------|---|
| VS2C+RCV110 | 139.25 (5.48") | 152.5 (6.00") | Inlet ½"BSP | Outlet ½"BSP | 232.5 (9.15") | 203 (7.99") | 4 holes Ø9 (0.35") equispaced on 130 (5.118") P.C.D. |
| VS4C+RCV210 | 138.75 (5.46") | 150.5 (5.92") | Inlet ¾"BSP | Outlet ¾"BSP | 230.5 (9.07") | 203 (7.99") | 4 holes Ø9 (0.35") equispaced on 130 (5.118") P.C.D. |
| VS6C+RCV210 | 192 (7.56") | 172.5 (6.79") | Inlet ¾"BSP | Outlet ¾"BSP | 275.5 (10.84") | 203 (7.99") | 4 holes Ø12 (0.47") Equispaced on 165 (6.496") P.C.D. |
| VS8C+RCV310 | 205 (8.07") | 193 (7.59") | Inlet 1"BSP | Outlet 1"BSP | 293 (11.53") | 275 (10.82") | 4 holes Ø12 (0.47") Equispaced on 165 (6.496") P.C.D. |
| VS10C+RCV410 | 305 (12.01") | 218.7 (8.61") | Inlet 1 ¼"BSP | Outlet 1 ¼"BSP | 343.7 (13.53") | 278 (10.95") | 4 holes Ø15 (0.59") Equispaced on 215 (8.465") P.C.D. |



AIR MOTOR UNIT FOR WINCHES

APPLICATION

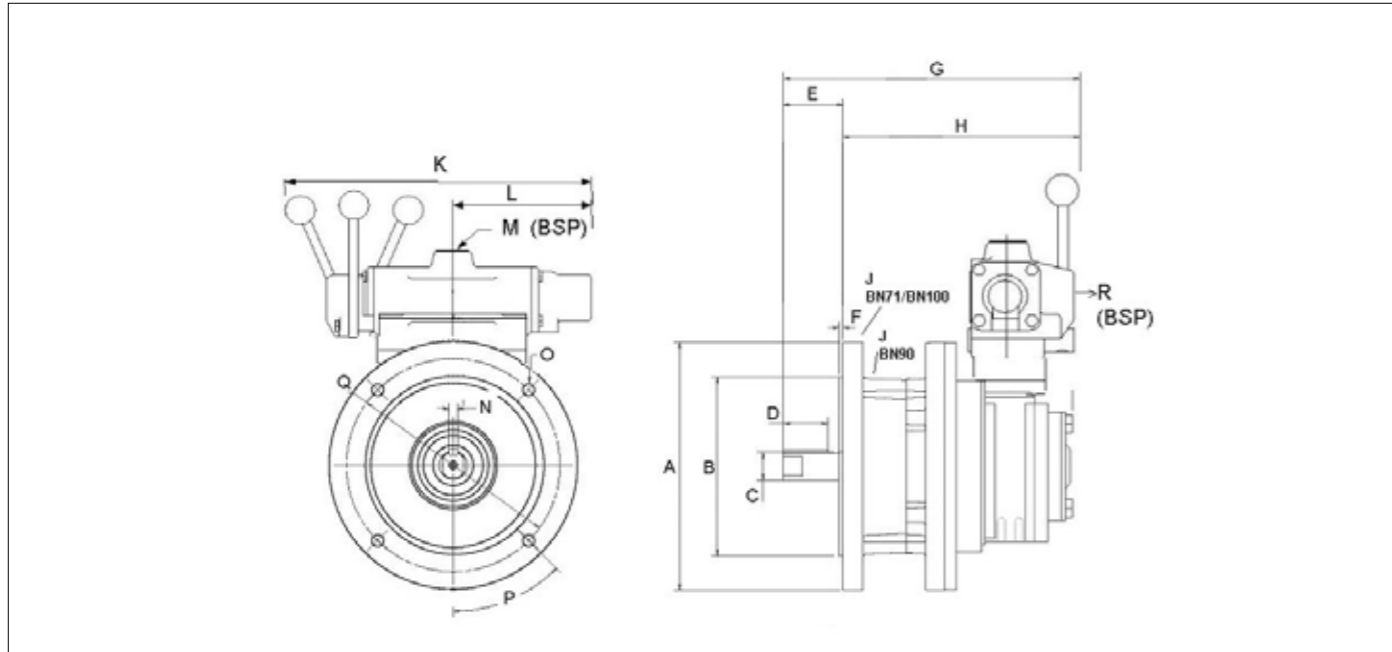
GLOBE has developed specially for winch and hoist applications a braked air motor set. The unit has a robust GLOBE vane motor with an fail safe BN brake and a proportional directional control valve.

The vane motor is of robust design and very good for harsh conditions. The BN brake is a spring loaded, air release failsafe brake. The holding torque is 1,5 to 2 times the maximum torque of the motor.

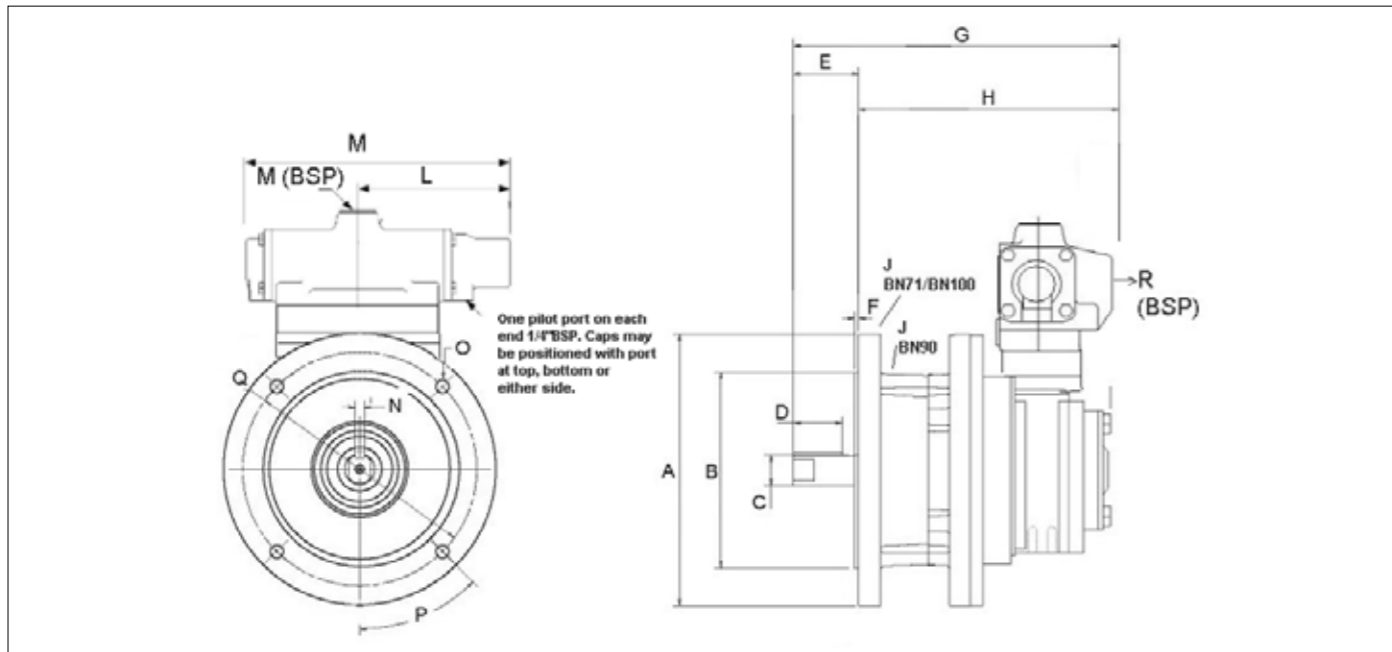
On top of the motor a proportional control valve is mounted. It can be a proportional remote control valve or a proportional hand control valve. The proportional valve controls the direction and speed of the motor. The brake is released with pipelines from the proportional control valve. The unit is designed that the motor is under pressure before the brake is released.

As standard the proportional valves can be supplied with either Equal Power or Biased Power spools, the latter is suitable for hoisting applications. The motor will have maximum power in lifting and reduced power in lowering. Because of the biased valve the load will not pull the motor in over speed in lowering direction.

The air motor unit confirms to European Standard NEN-EN 13463-1 for non-electrical equipment for explosive atmospheres ATEX GROUP II cat 2 GDc T3.



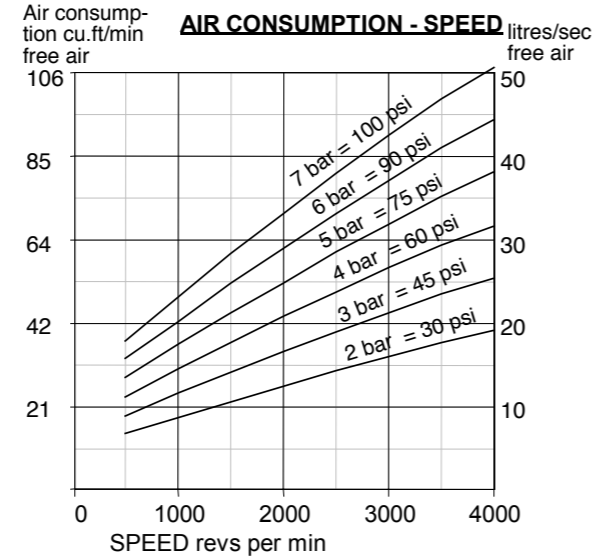
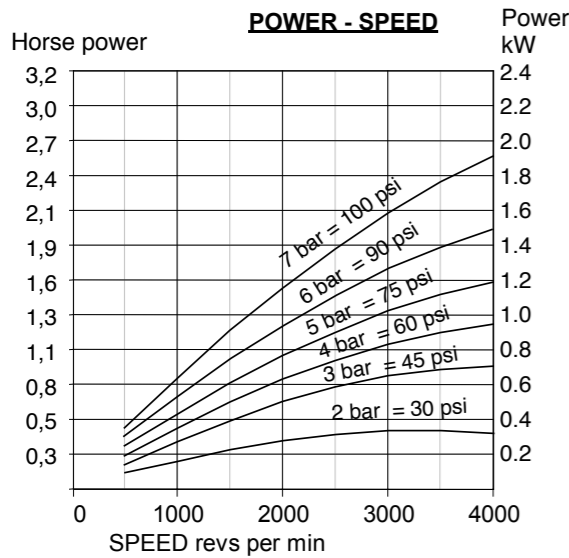
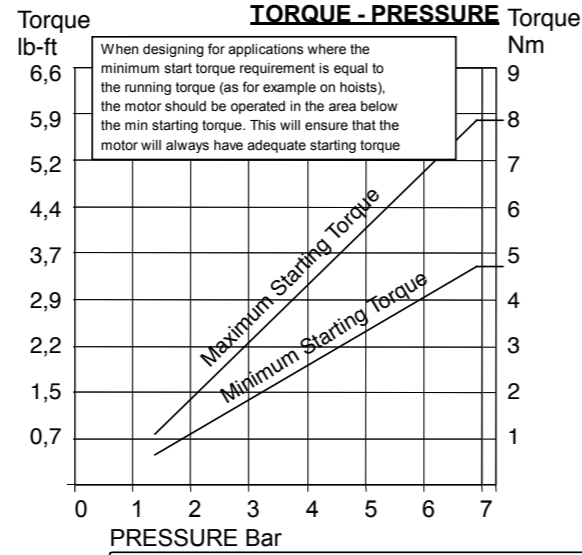
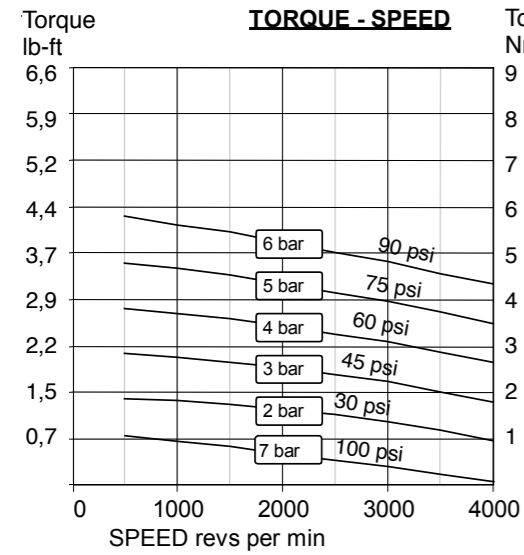
Motor with Brake with Hand Control, including valve and piping to control brake (not displayed).



Motor with Brake with Remote Control, including valve and piping to control brake (not displayed).

| | A | B | C | D | E | F | G | H | J | K |
|--|----------------|----------------|---------------|---------------|---------------|----------------|-----------------|-----------------|-----|-----------------|
| VS4BN71H2 VS4BN71R2 | 160 (6.29") | 110 (4.33") | 14 (0.55") | 20 (0.78") | 30 (1.18") | 3.5 (0.13") | 240 (9.45") | 210 (8.26") | 1/8 | 270 (10.62") |
| VS6BN90H2 VS6BN90R2 | 200 (7.87") | 130 (5.12") | 24 (0.94") | 30 (1.18") | 50 (1.96") | 3.5 (0.13") | 347 (13.66") | 297 (11.69") | 1/8 | 270 (10.62") |
| VS8BN90H3 VS8BN90R3 | 200 (7.87") | 130 (5.12") | 24 (0.94") | 30 (1.18") | 50 (1.96") | 3.5 (0.13") | 350 (13.78") | 300 (11.81") | 1/8 | 365 (14.37") |
| VS10BN100H4 VS10BN100R4 | 250 (7.87") | 180 (7.08") | 28 (1.10") | 50 (1.96") | 60 (2.36") | 4 (0.16") | 459 (18.07") | 399 (15.71") | 1/8 | 365 (14.37") |

| | L | M | N | O Ø | P | Q | R |
|--|----------------|-------|---------------|---------------|-----|------------------|-------|
| VS4BN71H2 VS4BN71R2 | 118 (4.64") | 3/4 | 5 (0.19") | 10 (0.39") | 45° | 110h7 (4.33") | 3/4 |
| VS6BN90H2 VS6BN90R2 | 118 (4.64") | 3/4 | 8 (0.31") | 12 (0.47") | 45° | 130h7 (5.12") | 3/4 |
| VS8BN90H3 VS8BN90R3 | 160 (6.29") | 1 | 8 (0.31") | 12 (0.47") | 45° | 130h7 (5.12") | 1 |
| VS10BN100H4 VS10BN100R4 | 160 (6.29") | 1 1/4 | 10 (0.39") | 14 (0.55") | 45° | 180h7 (7.08") | 1 1/4 |



Muffler supplied with motor.

Motor is reversible.

ATTITUDE

The motor can be operated in all positions.

Maximum temperature -20°C to +80°C (-4°F to +176°F).

Max. Overhung Force on motor shaft 170n (40 lbf.)

Axial loads should be kept to a minimum.

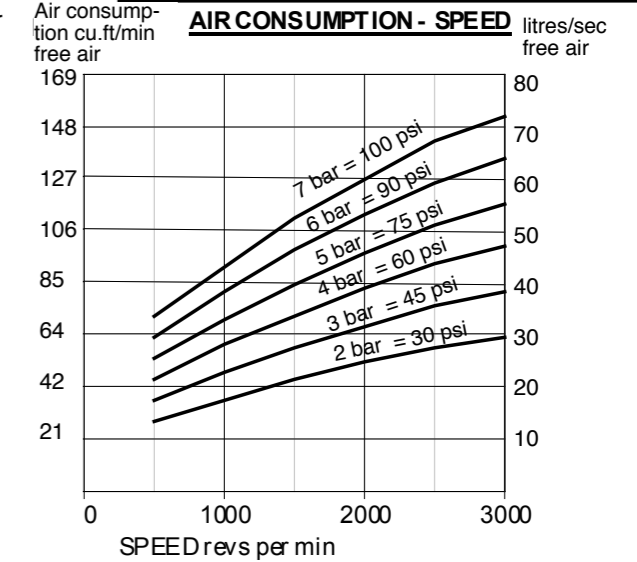
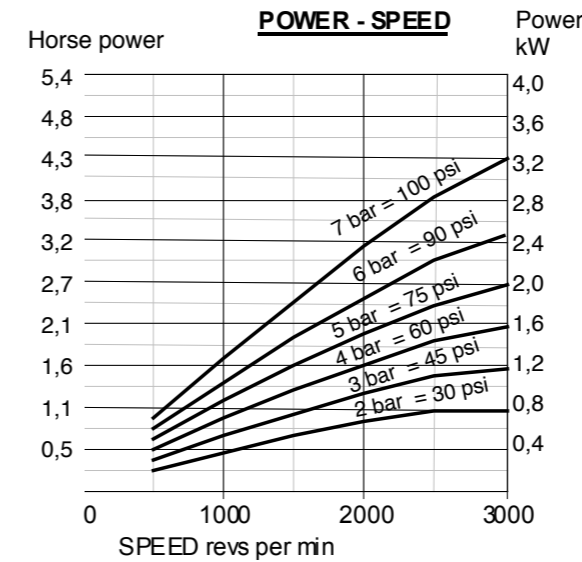
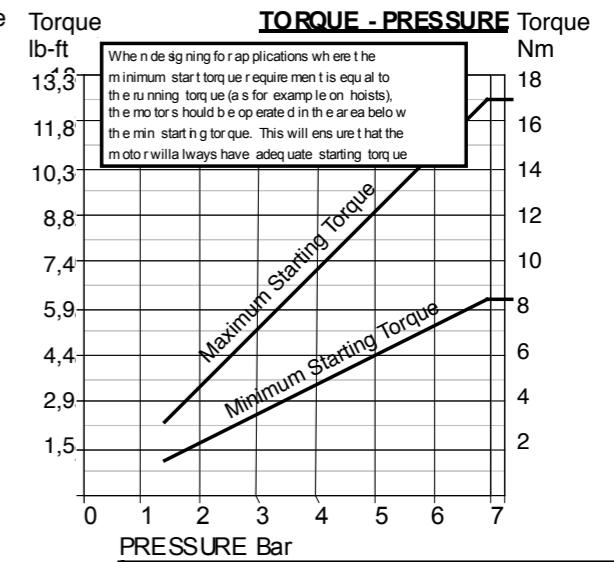
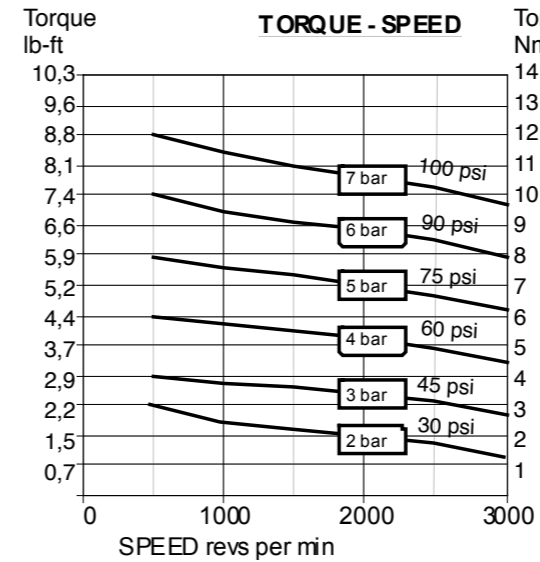
AIRLINE FILTRATION AND LUBRICATION

Use 64 micron filtration or better. Choose a lubricator suitable for the flow required. Prior to initial start-up, inject oil into the inlet port.

Lubricator drop rate 4-5 drops/minute continuous operation

Lubricator drop rate 9-12 drops/minute intermittent operation

MAXIMUM CONTINUOUS SPEED 4000 RPM



Muffler supplied with motor.

Motor is reversible.

ATTITUDE

The motor can be operated in all positions.

Maximum temperature -20°C to +80°C (-4°F to +176°F).

Max. Overhung Force on motor shaft 300n (70 lbf.)

Axial loads should be kept to a minimum.

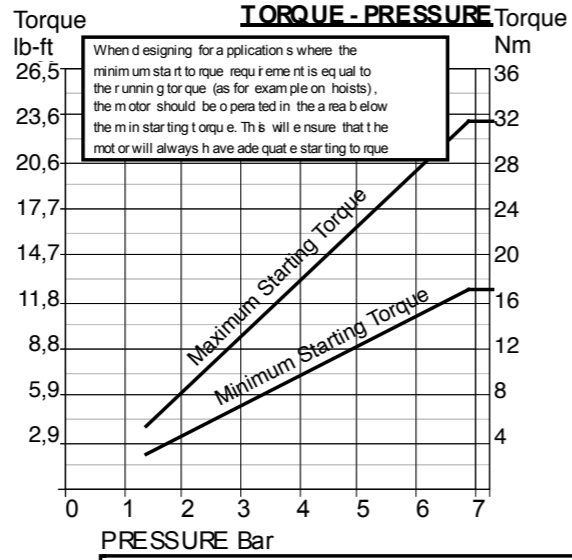
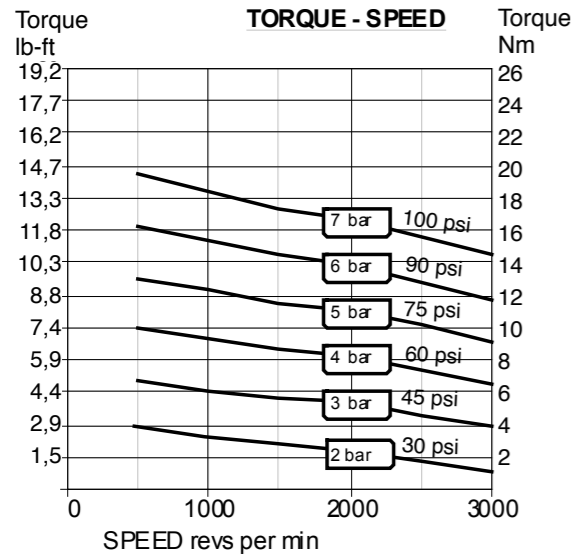
AIRLINE FILTRATION AND LUBRICATION

Use 64 micron filtration or better. Choose a lubricator suitable for the flow required. Prior to initial start-up, inject oil into the inlet port.

Lubricator drop rate 5-6 drops/minute continuous operation

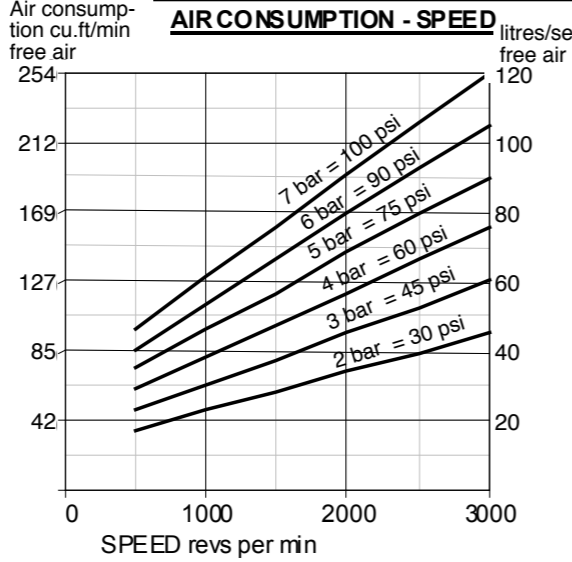
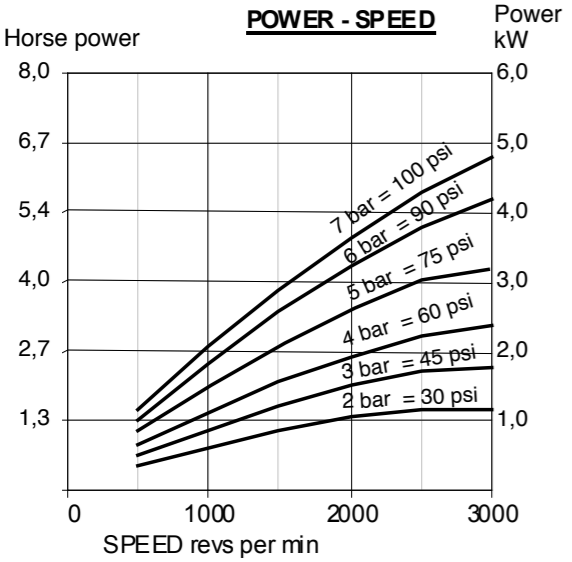
Lubricator drop rate 10-12 drops/minute intermittent operation

MAXIMUM CONTINUOUS SPEED 3000 RPM



When designing for applications where the minimum starting torque requirement is equal to the running torque (as for example on hoists), the motor should be operated in the area below the minimum starting torque. This will ensure that the motor will always have adequate starting torque.

A pressure regulator should be used to control the air pressure to the motor, to limit the maximum output torque applied to the driven assembly.



Muffler supplied with motor.

Motor is reversible.

ATTITUDE

The motor can be operated in all positions.

Maximum temperature -20°C to +80°C (-4°F to +176°F).

Max. Overhung Force on motor shaft 620N (140 lbf.)

Axial loads should be kept to a minimum.

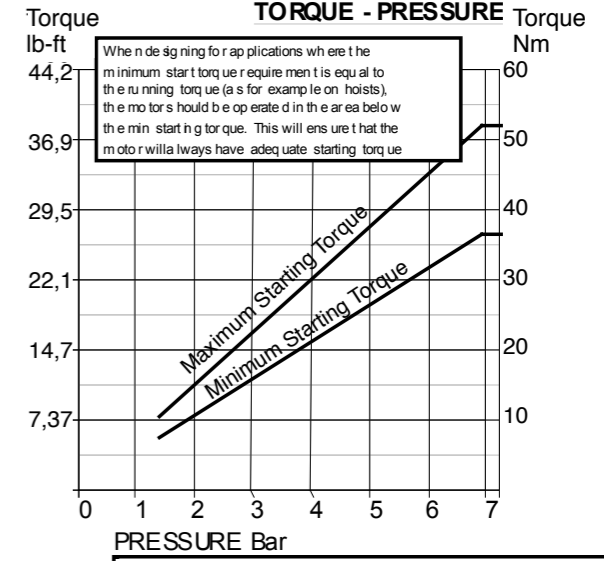
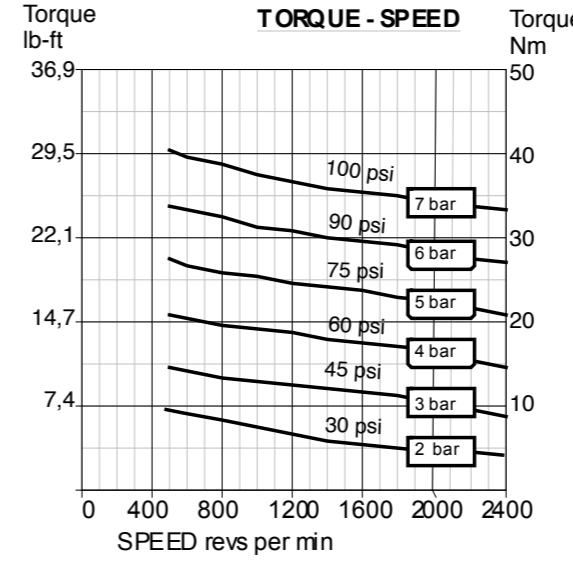
AIRLINE FILTRATION AND LUBRICATION

Use 64 micron filtration or better. Choose a lubricator suitable for the flow required. Prior to initial start-up, inject oil into the inlet port.

Lubricator drop rate 6-7 drops/minute continuous operation

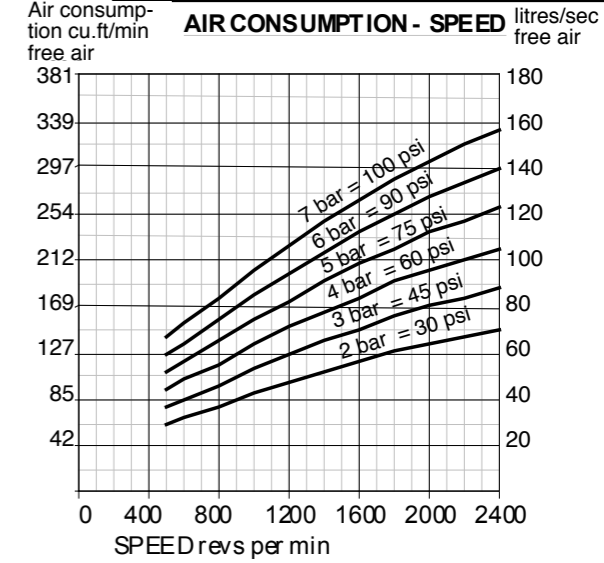
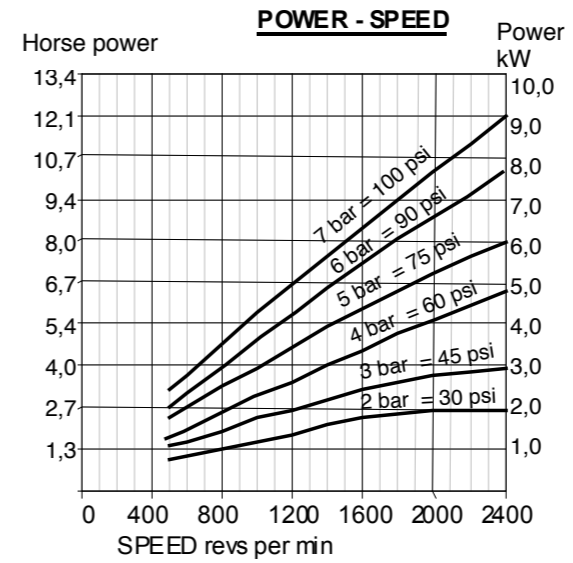
Lubricator drop rate 12-15 drops/minute intermittent operation

MAXIMUM CONTINUOUS SPEED 3000 RPM



When designing for applications where the minimum starting torque requirement is equal to the running torque (as for example on hoists), the motor should be operated in the area below the minimum starting torque. This will ensure that the motor will always have adequate starting torque.

A pressure regulator should be used to control the air pressure to the motor, to limit the maximum output torque applied to the driven assembly.



Muffler supplied with motor.

Motor is reversible.

ATTITUDE

The motor can be operated in all positions.

Maximum temperature -20°C to +80°C (-4°F to +176°F).

Max. Overhung Force on motor shaft 1750N (400 lbf.)

Axial loads should be kept to a minimum.

AIRLINE FILTRATION AND LUBRICATION

Use 64 micron filtration or better. Choose a lubricator suitable for the flow required. Prior to initial start-up, inject oil into the inlet port.

Lubricator drop rate 8-10 drops/minute continuous operation

Lubricator drop rate 14-16 drops/minute intermittent operation

MAXIMUM CONTINUOUS SPEED 2400 RPM



COMPACT VANE AIR MOTORS

ADVANTAGES

GLOBE-ARCHIMEDES compact vane air motors are motors with incorporated reduction units. They offer a unique form of drive with advantages including:

- Simple and inexpensive variable speed and torque control with a flow control valve and/or pressure regulator.
- Intrinsically safe for explosion proof environments. All GLOBE-ARCHIMEDES compact vane air motors are certified according to the European Explosion Directive ATEX II cat. 2 G&D T5.
- Stalling under load. Air motors will not overheat or burn out.
- Instantly reversible, operated with a simple control valve.
- Control over a wide speed range.
- Resistant to warm, dirty and damp conditions.
- Cool running caused by the expanding air.
- High reliability thanks to the low number of moving parts.
- Compact and light weight compared to equivalent electric motors.
- No shock start up which improves the life span of your equipment.
- Available in stainless steel

WHY CHOOSE A GLOBE-ARCHIMEDES COMPACT VANE AIR MOTOR

- Stainless steel models available for use in aggressive environments and foodstuffs industry.
- Mounting via flange, threads on the front or on the motor housing.
- High torques and low speeds of rotation possible in application with limited mounting space.
- Small size for hand held machinery.
- Motors can be supplied directly coupled to a wide range of gearboxes for higher torques.

AIR SUPPLY

AIR QUALITY

To insure optimal working conditions for the GLOBE ARCHIMEDES compact vane air motors, the air supply must be dry, filtered and lubricated. A 5 micron filter is recommended. The air motors should be lubricated sufficiently.

AIR LINE RESTRICTIONS

Air line restrictions on the inlet side of the motor will result in performance loss. Therefore it is important to make sure that the desired air pressure is available at the motor during operation. The pressure reading at the compressor or pressure regulator may be different then the pressure available at the motor.

Performance loss can also occur by an exhaust restriction generating back pressure on the outlet side of the motor. An insufficiently sized silencer, valve or coupling is usually the cause.



ORDERING CODES

| Motor type | Starting Torque |
|------------|--|
| 01 | 0,27 kW / 0,36 hp 0,4 NM / 0,3 lb-ft |
| 02 | 0,27 kW / 0,36 hp 2 NM / 1,5 lb-ft |
| 12 | 0,27 kW / 0,36 hp 12 NM / 8,8 lb-ft |
| 02R | 0,24 kW / 0,32 hp 2 NM / 1,5 lb-ft |
| 05R | 0,24 kW / 0,32 hp 5 NM / 3,7 lb-ft |
| 10R | 0,24 kW / 0,32 hp 10 NM / 7,4 lb-ft |

* R = Reversible

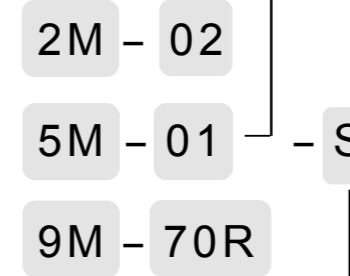
| Motor type | Starting Torque |
|------------|--|
| 01 | 0,67 kW / 0,90 hp 1,5 NM / 1,1 lb-ft |
| 43 | 0,67 kW / 0,90 hp 43 NM / 31,7 lb-ft |
| 05R | 0,61 kW / 0,82 hp 5 NM / 3,7 lb-ft |
| 34R | 0,61 kW / 0,82 hp 34 NM / 25,1 lb-ft |

* R = Reversible

| Motor type | Starting Torque |
|------------|---------------------------------------|
| 70R | 1,0 kW / 1,34 hp 70 NM / 51,6 lb-ft |

*R = Reversible

Motor type
Stainless steel

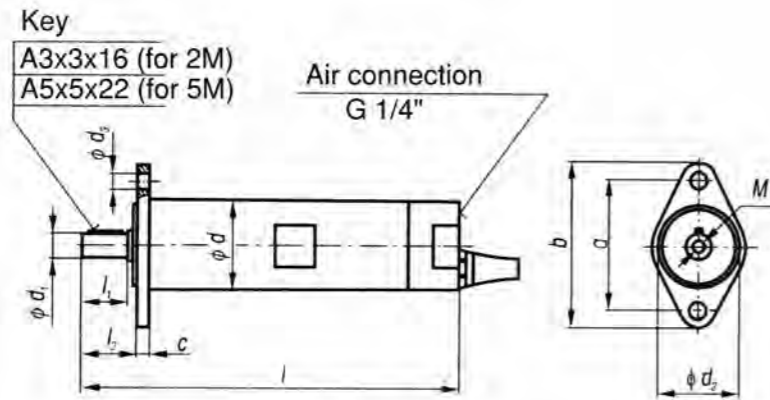


Use the ordering codes to create the GLOBE Archimedes Vane Air motor you want.

For example: 5M43 or 2M05RS.

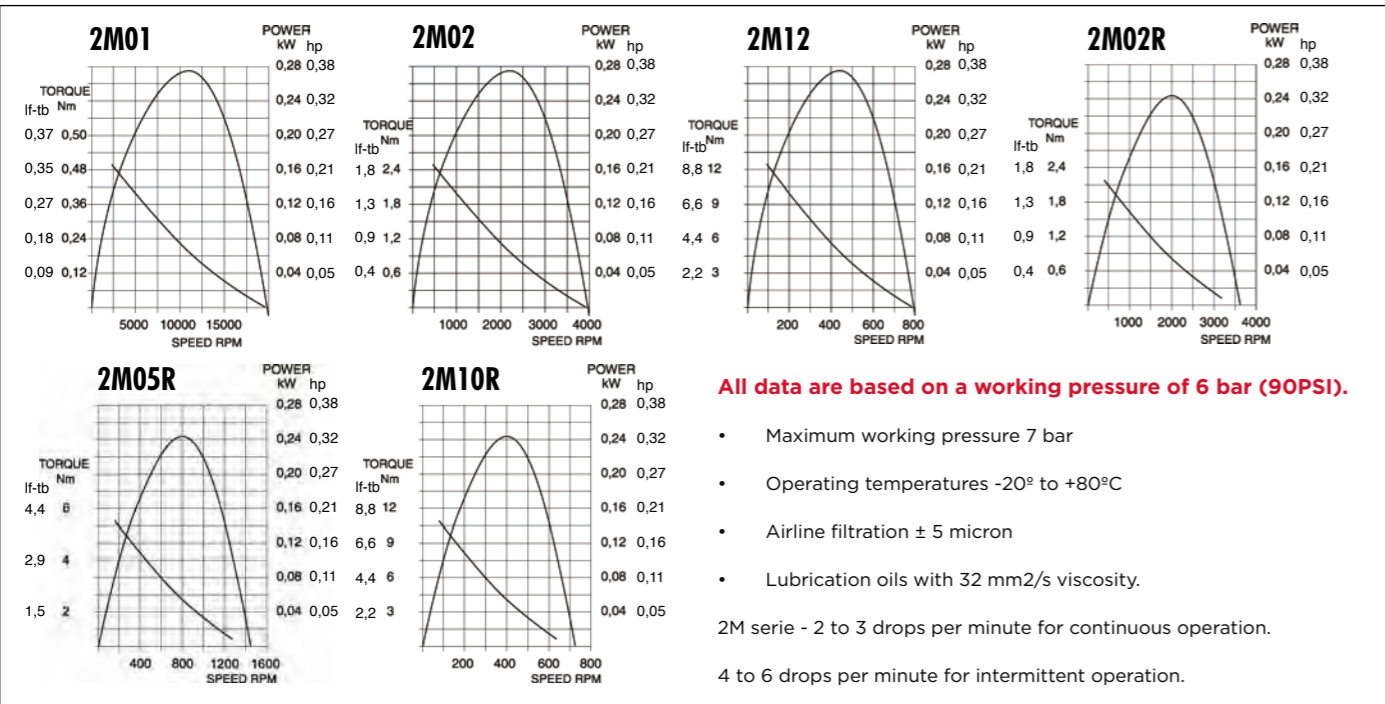
DIMENSIONS 2M

| Type | a | b | c | l | l1 | l2 | M | d | d1 | d2 | d3 |
|-------|---------------|---------------|--------------|-------------|---------------|---------------|----|-----------------|-----------------|-----------------|----------------|
| 2M01 | 52 (2.05") | 64 (2.52") | 5 (0.20") | 160 (6.30") | 20 (0.79") | 25 (0.98") | M4 | 40h9 (1.57") | 10h6 (0.39") | 36h9 (1.42") | 6.5 (0.26") |
| 2M02 | | | | 160 (6.30") | | | | | | | |
| 2M12 | | | | 190 (7.48") | | | | | | | |
| 2M02R | | | | 160 (6.30") | | | | | | | |
| 2M05R | | | | 190 (7.48") | | | | | | | |
| 2M10R | | | | 190 (7.48") | | | | | | | |



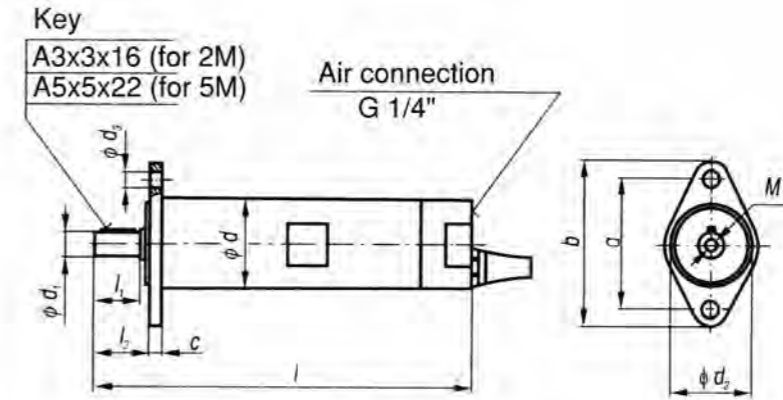
PERFORMANCES 2M

| TYPE | POWER KW (HP) | MAX FREE SPEED | NOMINAL SPEED RPM | NOMINAL TORQUE NM (lb-ft) | MIN STARTING TORQUE Nm (lb-ft) | ROTATION | AIR CONSUMPTION (M3/min) | GEAR RATIO | WEIGHT Kg (lb) | |
|-------|----------------|----------------|-------------------|---------------------------|--------------------------------|----------------------|--------------------------|------------|----------------|-----------|
| 2M01 | 0.27 (0.36) | 19.000 | 11.000 | 0,18 (0,13) | 0.4 (0.29) | Counter Clockwise | 0,5 | 1 | 0.9 (1.9) | |
| 2M02 | | 3700 | 2200 | 0,9 (0,66) | 2 (1.47) | | | 5 | 0.9 (1.9) | |
| 2M12 | | 710 | 450 | 4,5 (3,31) | 12 (8.84) | | | 25 | 1.1 (2.4) | |
| 2M02R | 0.24 (0.32) | 3100 | 2000 | 0,8 (0,58) | 2 (1.47) | Reversible | | 0,6 | 5 | 0.9 (1.9) |
| 2M05R | | 1600 | 800 | 2,6 (1,91) | 5 (3.69) | | | | 12 | 1.1 (2.4) |
| 2M10R | | 600 | 400 | 4 (2,94) | 10 (7.37) | | | | 25 | 1.1 (2.4) |



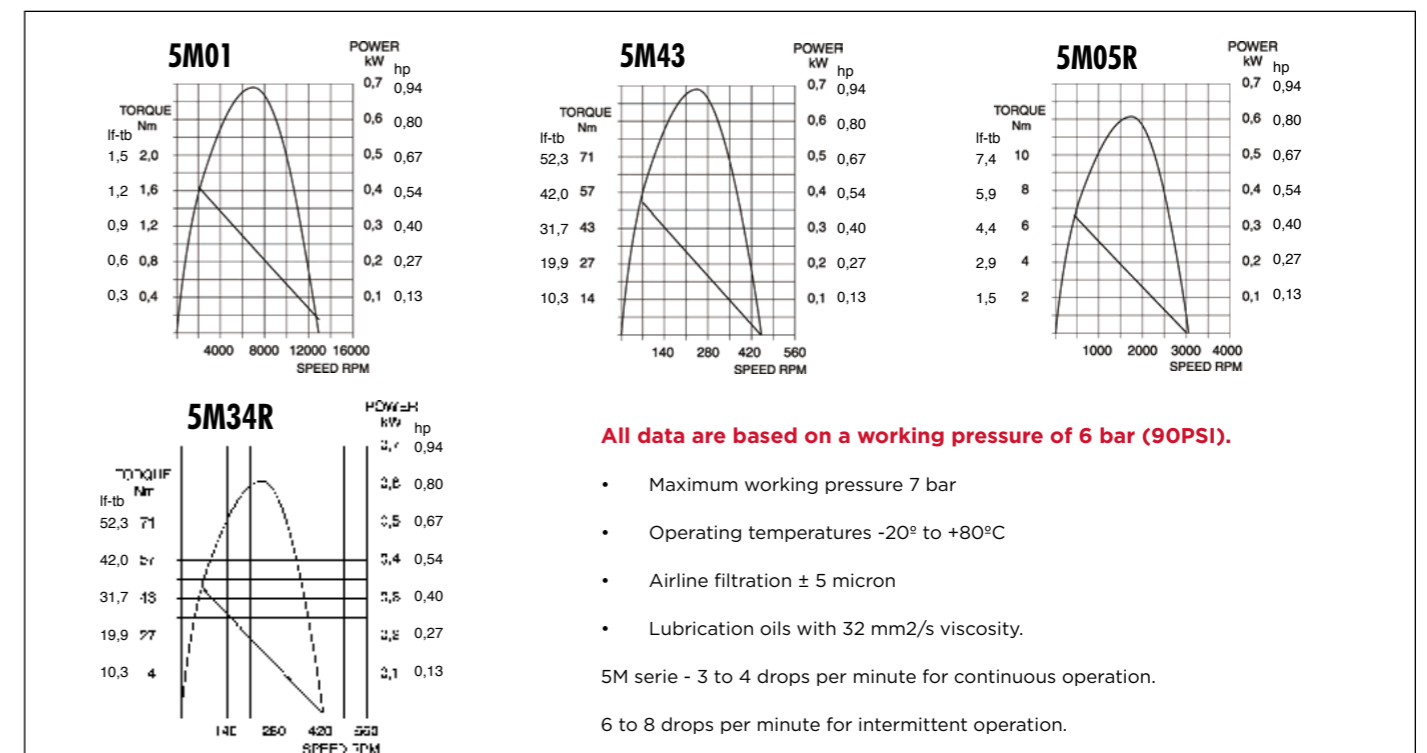
DIMENSIONS 5M

| Type | a | b | c | l | l1 | l2 | M | d | d1 | d2 | d3 |
|-------|---------------|---------------|--------------|-------------|---------------|---------------|----|-----------------|----------------|-----------------|---------------|
| 5M01 | 75 (2.95") | 95 (3.74") | 6 (0.24") | 185 (7.28") | 30 (1.18") | 35 (1.38") | M6 | 55h9 (2.17") | 14h6 (0.55) | 52h9 (2.05") | 11 (0.43") |
| 5M43 | | | | 230 (9.06") | | | | | | | |
| 5M05R | | | | 185 (7.28") | | | | | | | |
| 5M34R | | | | 230 (9.06") | | | | | | | |



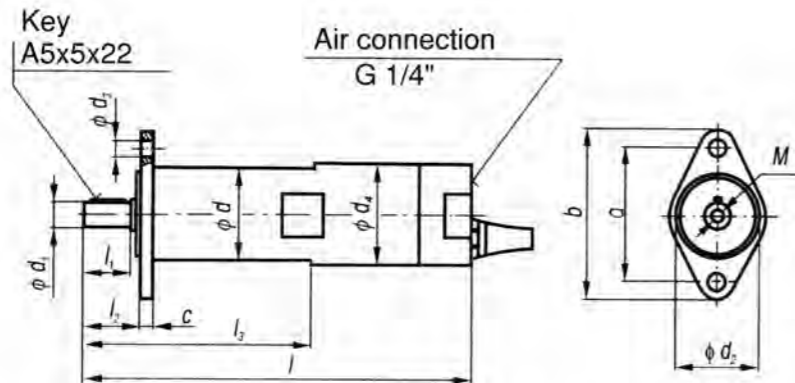
PERFORMANCES 5M

| TYPE | POWER KW (HP) | MAX FREE SPEED | NOMINAL SPEED RPM | NOMINAL TORQUE NM (lb-ft) | MIN STARTING TORQUE Nm (lb-ft) | ROTATION | AIR CONSUMPTION (M3/min) | GEAR RATIO | WEIGHT Kg (lb) | |
|-------|----------------|----------------|-------------------|---------------------------|--------------------------------|----------------------|--------------------------|------------|----------------|-----------|
| 5M01 | 0.67 (0.90) | 14.000 | 7000 | 0,9 (0,66) | 1.5 (1.1) | Counter Clockwise | 0,8 | 1 | 2.0 (4.4) | |
| 5M43 | | 450 | 250 | 27 (19,89) | 43 (31.7) | | | 36 | 2.4 (5.3) | |
| 5M05R | 0.61 (0.82) | 3000 | 1750 | 3 (2,21) | 5 (3.7) | Reversible | | 0,83 | 5 | 2.0 (4.4) |
| 5M34R | | 420 | 250 | 20,5 (15,10) | 34 (25.1) | | | | 36 | 2.4 (5.3) |



DIMENSIONS 9M

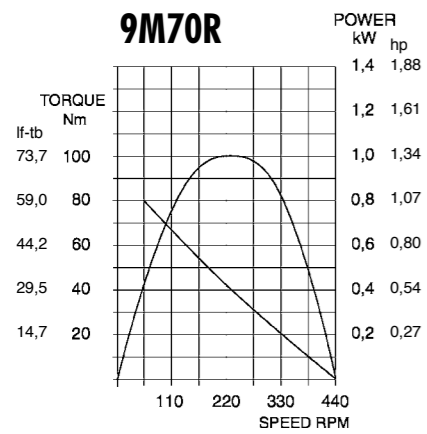
| Type | a | b | c | l | l1 | l2 | l3 | M | d | d1 | d2 | d3 | d4 |
|--------------|---------------|---------------|--------------|-----------------|---------------|---------------|----------------|----|-----------------|-----------------|-----------------|---------------|---------------|
| 9M70R | 75 (2.95") | 95 (3.74") | 6 (0.24") | 270 (10.63") | 30 (1.18") | 35 (1.38") | 110 (4.33") | M4 | 55h9 (2.17") | 16h9 (0.63") | 52h9 (2.05") | 11 (0.43") | 62 (2.44") |



PERFORMANCES 9M

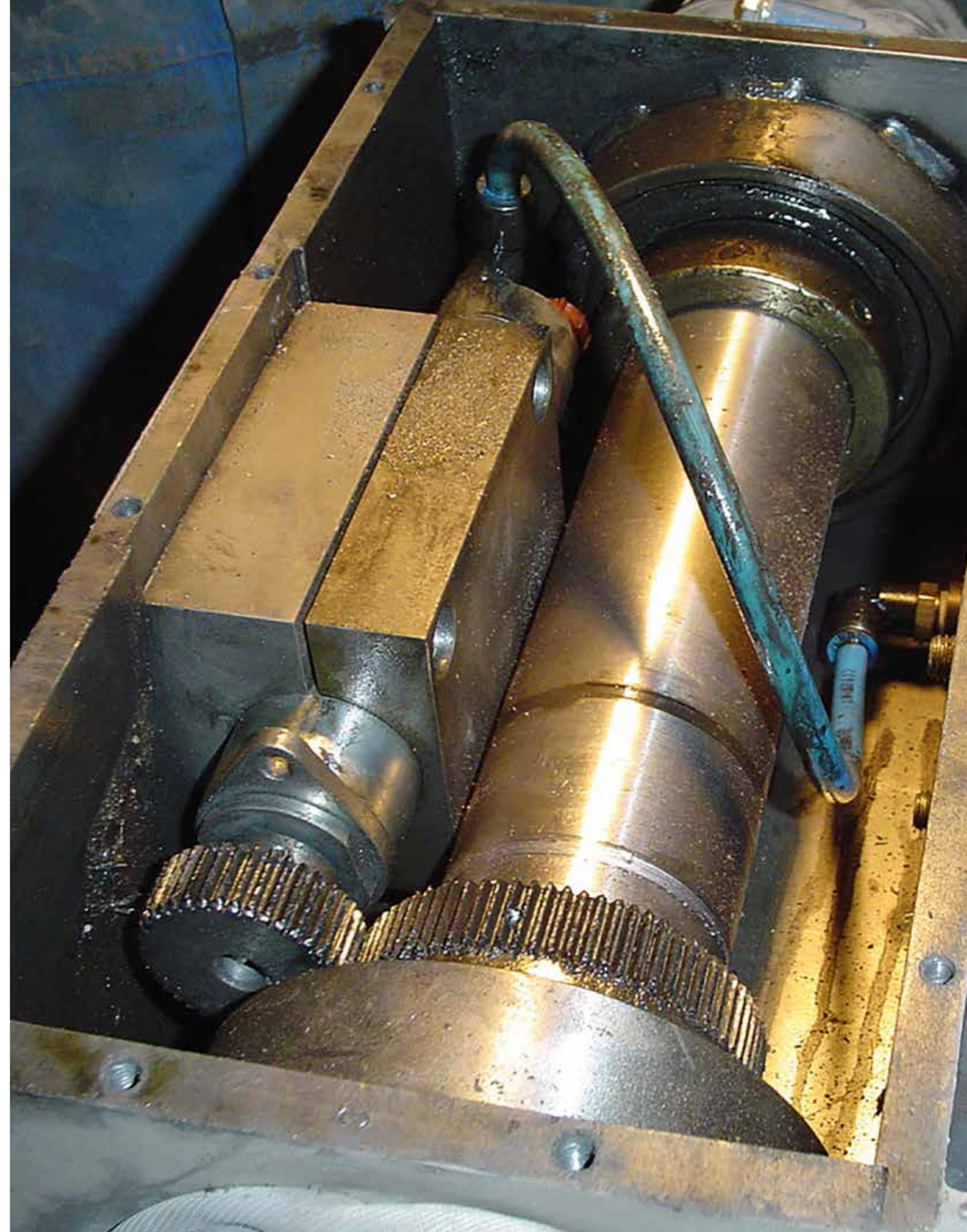
| TYPE | POWER KW (HP) | MAX FREE SPEE | NOMINAL SPEED RPM | NOMINAL TORQUE NM (lb-ft) | MIN STARTING TORQUE Nm (lb-ft) | ROTATION | AIR CONSUMPTION (M3/min) | GEAR RATIO | WEIGHT Kg (lb) |
|--------------|---------------|---------------|-------------------|---------------------------|--------------------------------|------------|--------------------------|------------|----------------|
| 9M70R | 1.0 (1.34) | 440 | 220 | 40 (29,48) | 70 (51.6) | Reversible | 1.36 | 36 | 3.3 (7.26) |

9M70R

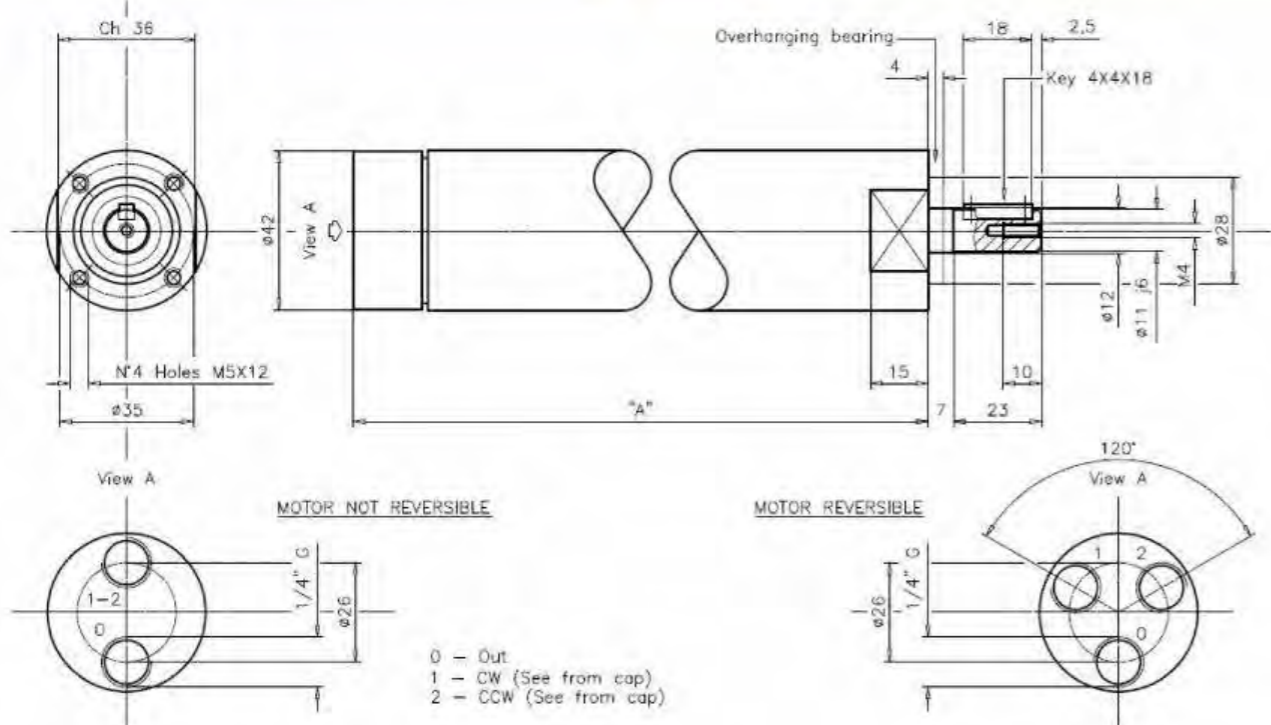


All data are based on a working pressure of 6 bar (90PSI).

- Maximum working pressure 7 bar
 - Operating temperatures -20° to +80°C
 - Airline filtration \pm 5 micron
 - Lubrication oils with 32 mm²/s viscosity.
- 2M serie - 2 to 3 drops per minute for continuous operation.
4 to 6 drops per minute for intermittent operation.



GLOBE COMPACT VANE MOTORS SERIES M53



PNEUMATIC GLOBE COMPACT VANE MOTORS M53 SERIES | HP 0,53 KW 0,38

ATTITUDE:

The motors of the M53 series are standard with case and end plate in AISI 303 stainless steel, and the possibility, upon request, of also supplying the shaft in AISI 303 stainless steel by adding "051" after the M53 code.

necessary. To achieve this, all motors may be assembled with a protruding bearing. To order the motor with this modification, add "019" after the code.

The M53 offers reversible and uni directional motors. Non reversible motors are furnished with standard counterclockwise rotation (counter clockwise facing the shaft). Non reversible motors are delivered with a standard CCW rotation (counter clock wise) while looked upon shaft. To order them with a CW rotation (clock wise) add "015" after the code. There is often the need to mount the motor to other equipment or simply to an interfacing flange, in this case safe alignment is

The single-stage, two-stage and three-stage models may also be internally equipped with a brake device that prevents the exit shaft to rotate when the motor is in static condition. To order the motor with this devise, add "102" after the code.

The entire line is in accordance to European Directive for products destined to be uses in potentially explosive atmospheres ATEX II cat.2 G&D T3.

| Model | Free speed r/min | | | Speed at max power r/min | | | Torque max. power Kgm | | | Starting torque NM | | | Torque NM | | | Quote "A" mm | Weight Kg. | N° Reduction gear | | |
|--------|------------------|----------------|-------|--------------------------|-------|-------|-----------------------|-------|-------|--------------------|-------|-------|-----------|-------|-------|--------------|------------|-------------------|-----|---|
| | Reversible | Not Reversible | | 7 bar | 5 bar | 3 bar | 7 bar | 5 bar | 3 bar | 7 bar | 5 bar | 3 bar | 7 bar | 5 bar | 3 bar | | | | | |
| M53R0 | M53N0 | | 15000 | 13400 | 11800 | 7500 | 6700 | 5900 | 0,5 | 0,3 | 0,1 | 0,6 | 0,4 | 0,2 | 0,9 | 0,6 | 0,3 | 118 | 0,9 | 0 |
| M53R1A | M53N1A | | 3800 | 3400 | 3000 | 1900 | 1700 | 1500 | 1,9 | 1,4 | 0,7 | 2,9 | 1,8 | 1,0 | 3,9 | 2,8 | 1,4 | 118 | 0,9 | 1 |
| M53R1B | M53N1B | | 2800 | 2550 | 2250 | 1400 | 1275 | 1125 | 2,6 | 1,9 | 0,9 | 3,9 | 2,8 | 1,3 | 5,2 | 3,8 | 1,8 | 118 | 0,9 | 1 |
| M53R1C | M53N1C | | 2400 | 2180 | 1930 | 1200 | 1090 | 965 | 3,0 | 2,2 | 1,1 | 4,5 | 3,3 | 1,6 | 6,0 | 4,4 | 2,2 | 118 | 0,9 | 1 |
| M53R1D | M53N1D | | 2100 | 1900 | 1690 | 1050 | 850 | 845 | 3,5 | 2,4 | 1,2 | 5,2 | 4,2 | 1,8 | 7,0 | 5,6 | 2,4 | 118 | 0,9 | 1 |
| M53R2 | M53N2 | | 1200 | 1000 | 900 | 600 | 500 | 450 | 6,3 | 4,8 | 2,3 | 9,6 | 6,0 | 3,3 | 13 | 9,3 | 4,7 | 135 | 1,0 | 2 |
| M53R2A | M53N2A | | 900 | 755 | 670 | 450 | 377 | 335 | 8,0 | 6,3 | 3,1 | 12 | 9,4 | 4,6 | 16 | 13 | 6,2 | 135 | 1,0 | 2 |
| M53R2B | M53N2B | | 630 | 565 | 500 | 315 | 282 | 230 | 11 | 8,4 | 4,2 | 17 | 13 | 6,3 | 23 | 17 | 8,4 | 135 | 1,0 | 2 |
| M53R2C | M53N2C | | 540 | 485 | 430 | 270 | 242 | 215 | 13 | 10 | 4,9 | 19 | 15 | 7,3 | 26 | 20 | 9,8 | 135 | 1,0 | 2 |
| M53R2D | M53N2D | | 480 | 425 | 375 | 240 | 212 | 187 | 15 | 11 | 5,6 | 22 | 16 | 8,4 | 30 | 22 | 11 | 135 | 1,0 | 2 |
| M53R3 | M53N3 | | 270 | 220 | 200 | 135 | 110 | 100 | 27 | 20 | 10 | 40 | 31 | 15 | 53 | 41 | 21 | 157 | 1,2 | 3 |
| M53R3A | M53N3A | | 190 | 168 | 150 | 85 | 84 | 75 | 42 | 28 | 14 | 63 | 42 | 21 | 84 | 56 | 28 | 157 | 1,2 | 3 |
| M53R3B | M53N3B | | 140 | 126 | 110 | 70 | 63 | 55 | 51 | 38 | 19 | 75 | 57 | 28 | 102 | 76 | 38 | 157 | 1,2 | 3 |
| M53R3C | M53N3C | | 120 | 108 | 95 | 60 | 54 | 48 | 60 | 44 | 22 | 90 | 66 | 33 | 120 | 88 | 44 | 157 | 1,2 | 3 |
| M53R3D | M53N3D | | 110 | 95 | 83 | 55 | 47 | 42 | 65 | 50 | 25 | 97 | 75 | 37 | 130 | 100 | 50 | 157 | 1,2 | 3 |
| M53R4 | M53N4 | | 60 | 50 | 45 | 30 | 25 | 22 | 140 | 93 | 47 | 210 | 140 | 70 | 280 | 185 | 93 | 175 | 1,3 | 4 |
| M53R4A | M53N4A | | 46 | 37 | 33 | 23 | 19 | 16 | 157 | 125 | 65 | 235 | 187 | 97 | 315 | 250 | 130 | 175 | 1,3 | 4 |
| M53R4B | M53N4B | | 32 | 28 | 24 | 16 | 14 | 12 | 230 | 170 | 87 | 345 | 255 | 145 | 460 | 340 | 194 | 175 | 1,3 | 4 |
| M53R4C | M53N4C | | 26 | 24 | 21 | 13 | 12 | 10 | 277 | 198 | 105 | 410 | 297 | 157 | 550 | 396 | 210 | 175 | 1,3 | 4 |
| M53R4D | M53N4D | | 23 | 21 | 18 | 11 | 10 | 9 | 328 | 238 | 117 | 485 | 357 | 175 | 650 | 476 | 234 | 175 | 1,3 | 4 |

| | | | | | |
|------------|--------------------|--------------------|-------------------|-------------------|-------------------|
| Air consum | a 6 bar 13,5 l/sec | a 5 bar 11,6 l/sec | a 4 bar 9,6 l/sec | a 3 bar 7,7 l/sec | a 2 bar 5,7 l/sec |
|------------|--------------------|--------------------|-------------------|-------------------|-------------------|

ATTENTION
The M53 air motors cannot be used over 60Nm torque. The figures shown in the green colored area should be considered purely as an indication.

LUBRICATION: 2-3 gocce/1' continuous operation
4-6 gocce/1' intermittent operation
FILTRATION: Use 64 micron filtration or better
RADIAL LOAD: 2000 N max.
AXIAL LOAD: Not admitted
OPERATIVE TEMPERATURE: da -20°C a +80°C

STAINLESS STEEL COMPACT VANE AIR MOTORS

Each type of the GLOBE-Archimedes compact vane air motors are also available in stainless steel models. The

stainless steel models have the same performances and dimensions as the standard versions.





RADIAL PISTON (RM) AIR MOTORS

The GLOBE RM air motors are a series of heavy duty radial piston air motors offering an exceptional range of control valve and output options. The motors are four or five cylinder radial piston design with oil bath lubrication and are designed to develop greater power than other motors of equivalent size.

RM motors are most suitable for heavy duty applications and can be supplied direct coupled to gearboxes.

A variety of operating conditions can be achieved by utilisation of pressure regulators and flow control valves.

Natural gas and other gases can also be used. Please consult our Applications Department.

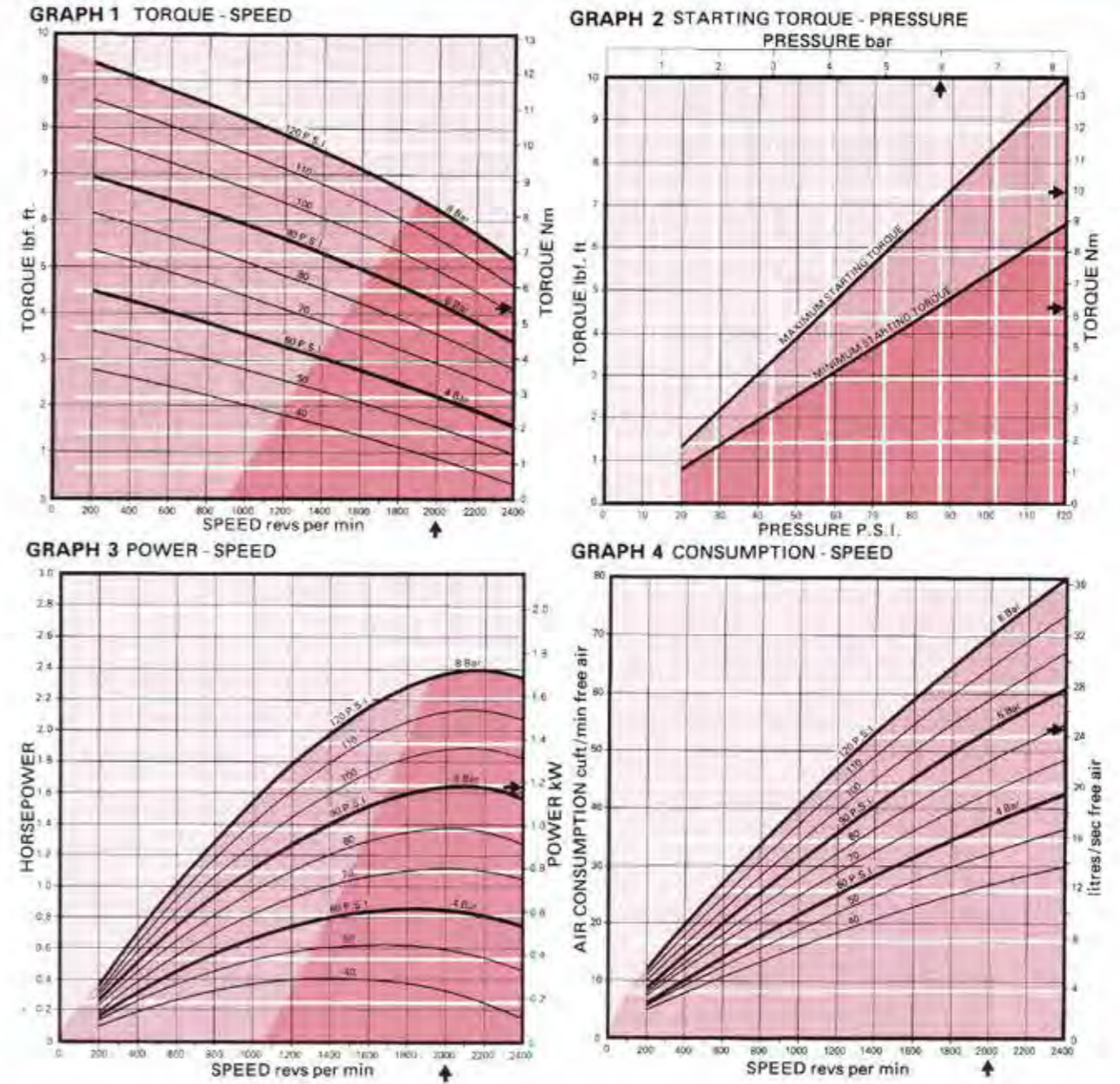
ADVANTAGES INCLUDE:

- Modular motor, brake, gearbox and control valve options
- Relatively inexpensive variable speed control
- Intrinsically safe in hazardous environments (e.g. mines, petro-chemical etc.)
- Instantly reversible
- Resistant to dirty, damp conditions
- Positive start
- Rugged design
- Variety of mountings
- NEMA and S.A.E. interfaces:
RM210, RM310, RM410, RM510, and RM610 motors can be supplied in configurations approximating to NEMA interfaces.
RM410, RM510 and RM610 are also available with S.A.E. pump drives.

| Type motor | | Direction of control valve | |
|------------|------------------|----------------------------|-------------------|
| 110 | 1,7 kW / 2,3 hp | - | Equal power |
| 210 | 4 kW / 5,4 hp | CW | Clockwise |
| 310 | 7,5 kW / 10,1 hp | CCW | Counter Clockwise |
| 410 | 14 kW / 18,8 hp | | |
| 510 | 22 kW / 29,5 hp | | |
| 610 | 23 kW / 30,8 hp | | |

| Type of control valve | |
|-----------------------|----------------------|
| RCV | Remote control valve |
| HCV | Hand control valve |

RM - 210 RCV CW Brake



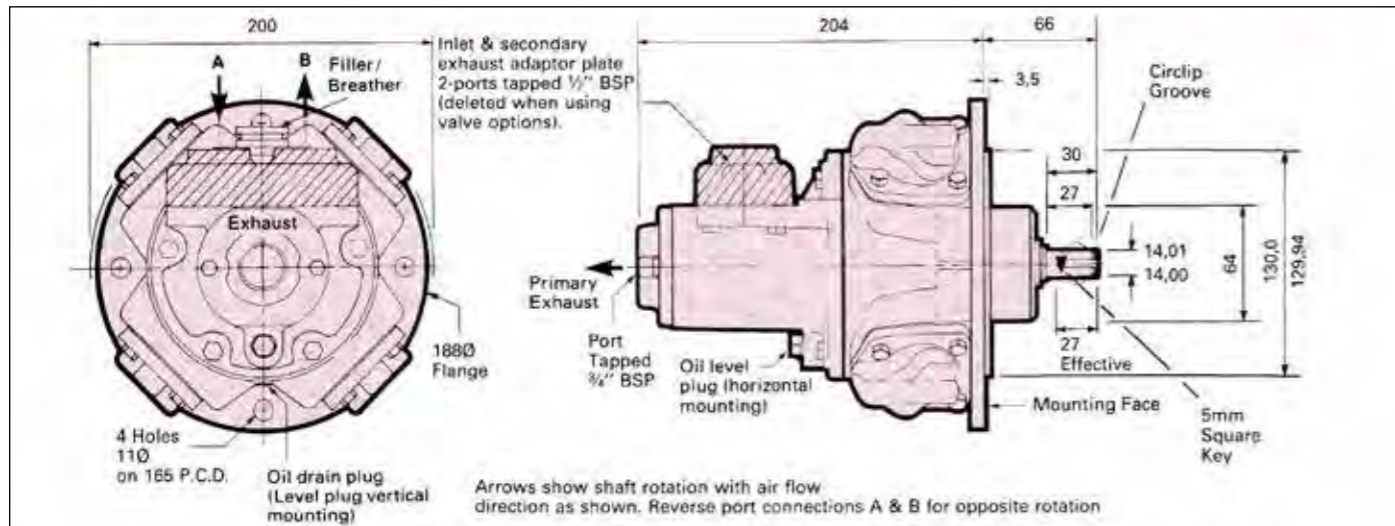
Reading graphs - Scales have been adjusted to enable bar and p.s.i. to be read from a common curve. Therefore only read p.s.i. with the left hand axis and bar with the right hand axis.

MOTOR SELECTION

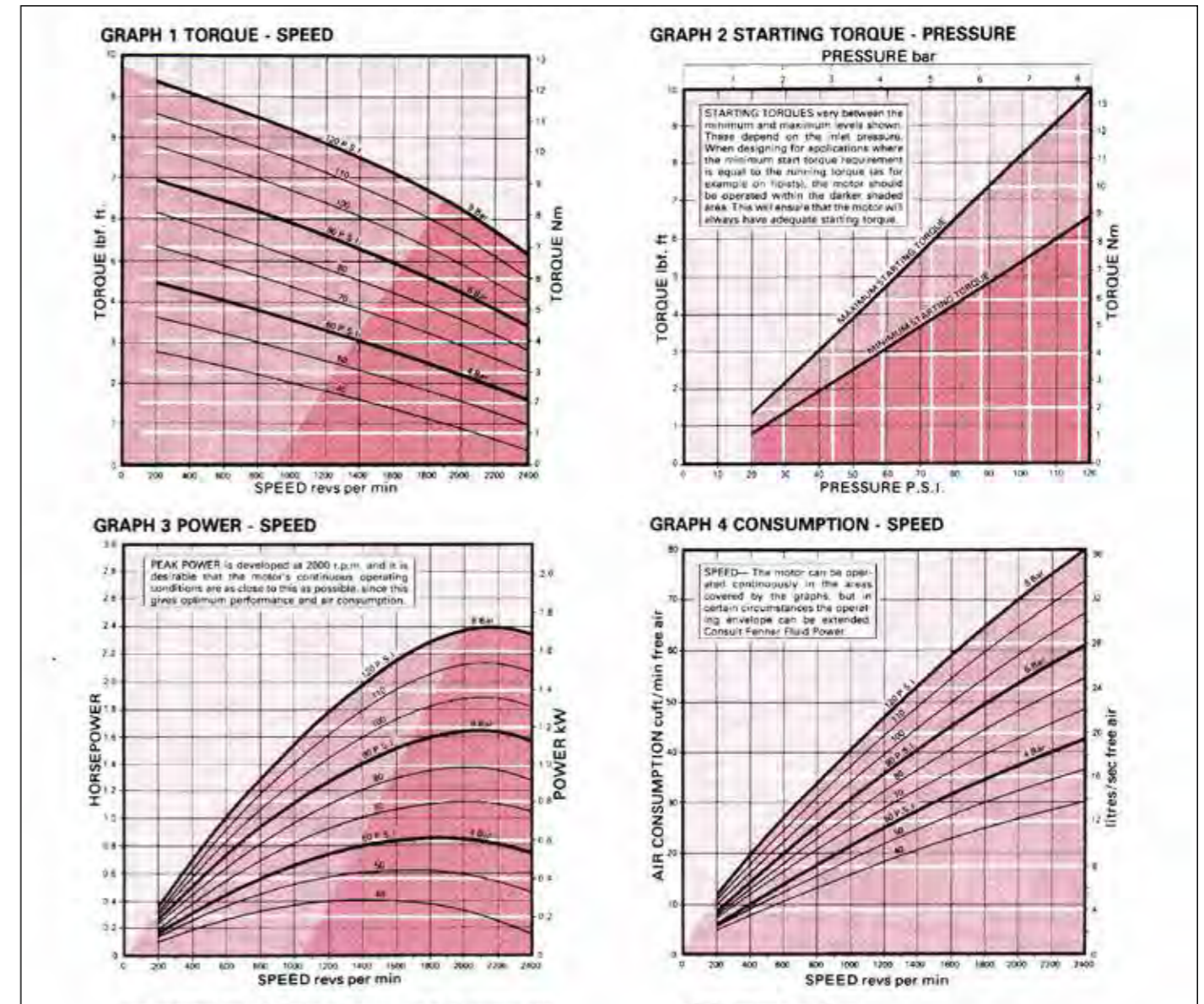
Motor performance can be derived from the above graphs as in the examples shown. Where motors are not required to start under load, such as fan drives, selection may be made using either Graph 1 or Graph 3 using the required running torque or power only. For applications where the motor starts under load, such as hoists, winches or track drives, the starting torque in Graph 2

must also be considered. Starting torque varies between the maximum and minimum values shown, depending on the angular position of the output shaft.

1. Running torque example RM110 at 6 bar gives 5,5 Nm torque at 2000 r.p.m.
2. Starting torque example: RM110 at 6 bar gives between 6,2 and 10 Nm at start depending on output shaft position.
3. Output power example: RM110 at 6 bar gives 1,19 kW at 2000 r.p.m.
4. Air consumption exaple: RM110 at 6 bar and 2000 r.p.m. requires 24,2 l/sec. free air.



Reading graphs - Scales have been adjusted to enable bar and p.s.i. to be read from a common curve. Therefore only read p.s.i. with the left hand axis and bar with the right hand axis.



LUBRICATING OIL CAPACITIES

Horizontal 75 ml. Vertical 150ml.
Use a good quality hydraulic oil with a viscosity of around 100cSt (460SSU) at 40°C.

AIRLINE FILTRATION AND LUBRICATION

Use 64 micron filtration or better. Choose a lubricator suitable for the flow required. Prior to initial start-up, inject oil into the inlet port.

Lubricator drop rate: 3-4 drops / minute continuous operation.

Lubricator drop rate: 6-10 drops / minute intermittent operation.

MASS (MOTOR ONLY)

13 kg

MOMENT OF INERTIA

of rotating parts 0,01 gm²

MAX OVERHUNG FORCE SHAFT

445 N.

TEMPERATURE RANGE

-20°C to +80°C

RM110 GEARED MOTOR INSTALLATION DETAILS

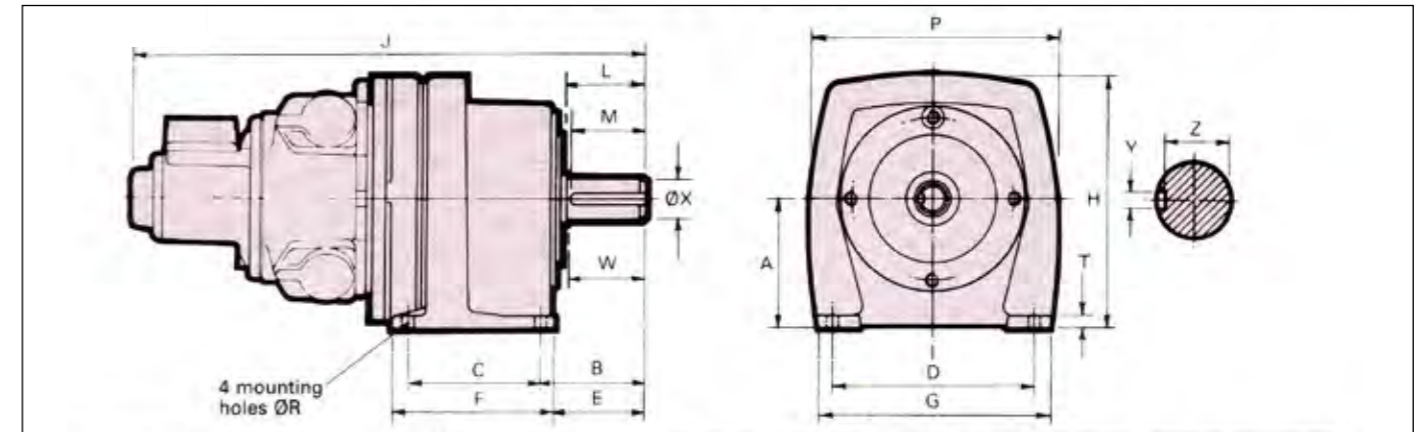
Maximum performance details listed below at 6 bar (90 psi). The performance under different conditions can be obtained by using the curves on page 150. A typical minimum gearbox efficiency of 90% can be expected. For higher pressures consult the manufacturer or their

distributors. The maximum overhung force is assumed acting midway along the output shaft; for other positions or higher loads on intermittent applications; consult the manufacturer of their distributors.

PERFORMANCE SUMMARY

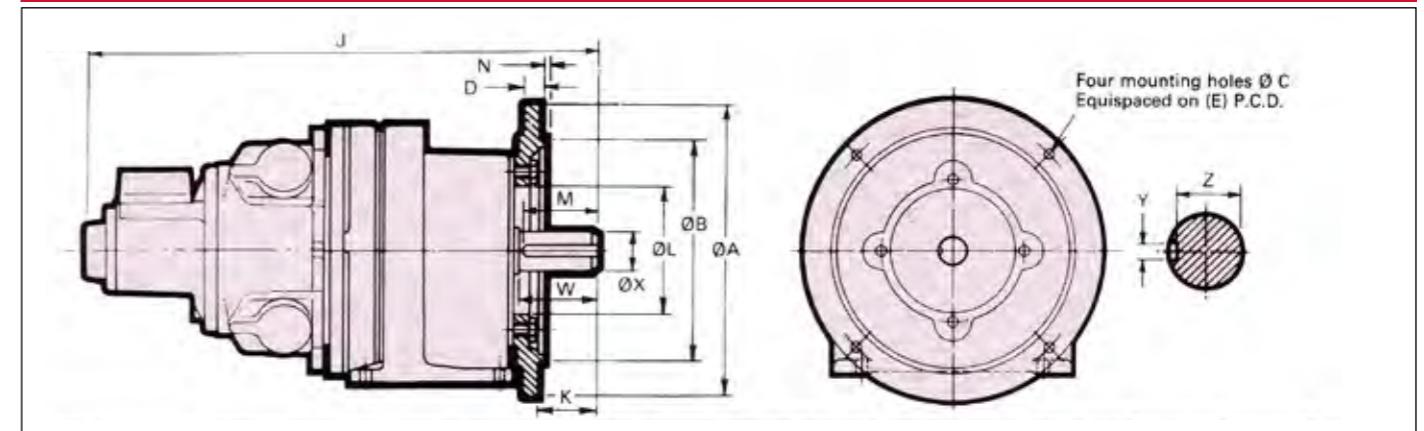
| Gearbox Ratio | Maximum Power Conditions | | | | Approx. Min. Start Torque | | Max. Cont. rpm | Max. Overhung Force | | |
|---------------|--------------------------|-----|-----|--------|---------------------------|-----|----------------|---------------------|------|------|
| | Kw | hp | rpm | Torque | | N | | lbf. | | |
| | | | | Nm | lbf. ft. | | | | | |
| 2,8 | 1,1 | 1,5 | 758 | 14 | 10 | 17 | 13 | 866 | 970 | 218 |
| 5,1 | 1,1 | 1,5 | 415 | 25 | 19 | 30 | 23 | 474 | 1050 | 236 |
| 7,6 | 1,1 | 1,5 | 278 | 37 | 28 | 45 | 35 | 317 | 1110 | 250 |
| 9,1 | 1,1 | 1,5 | 231 | 45 | 34 | 54 | 42 | 264 | 1210 | 272 |
| 14 | 1,1 | 1,5 | 156 | 67 | 51 | 81 | 62 | 178 | 1320 | 297 |
| 22 | 1,1 | 1,5 | 94 | 110 | 84 | 133 | 102 | 108 | 2025 | 456 |
| 30 | 1,1 | 1,5 | 69 | 149 | 114 | 181 | 138 | 79 | 2180 | 491 |
| 60 | 1,1 | 1,4 | 35 | 280 | 213 | 339 | 259 | 40 | 4540 | 1020 |
| 88 | 1,1 | 1,4 | 24 | 414 | 316 | 501 | 382 | 27 | 4810 | 1080 |

BASE MOUNTED GEARBOX

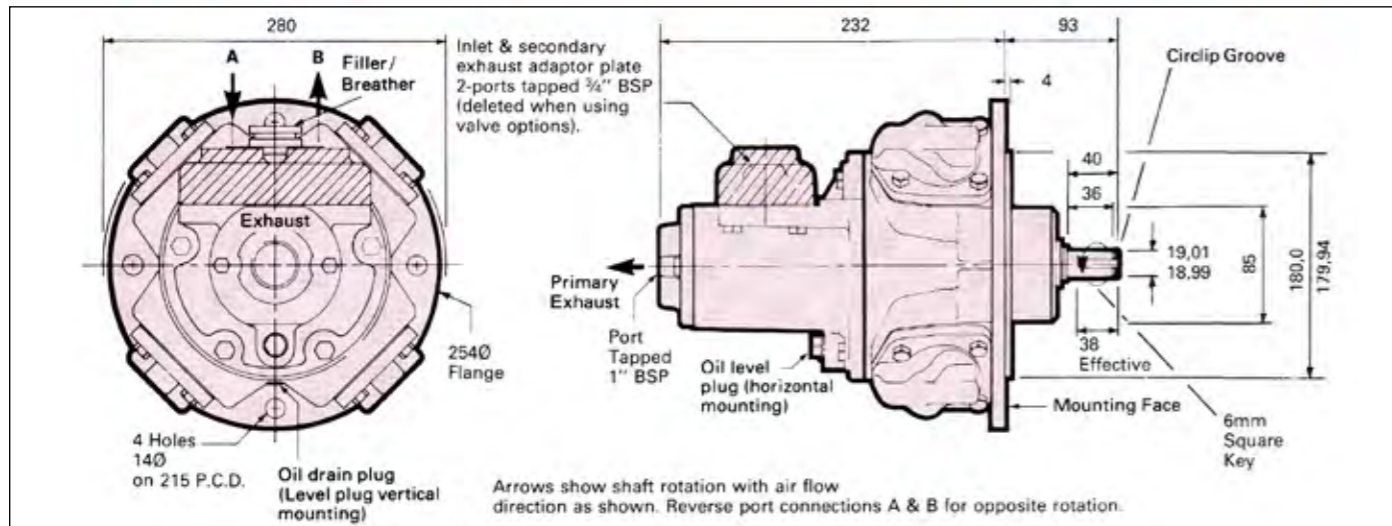


| RATIO | A | B | C | D | E | F | G | H | J | L | M | P | R | T | W | X | Y | Z | MASS |
|----------------------|-----|----|-----|-----|------|-----|-----|-----|-----|----|----|-----|----|----|----|--------|-------|------|---------|
| 2,8 to 14:1 | 100 | 80 | 105 | 140 | 65 | 135 | 170 | 195 | 405 | 53 | 45 | 188 | 11 | 13 | 50 | 24,009 | 7,964 | 20,0 | 23,6 kg |
| | | | | | | | | | | | | | | | | 23,996 | 8,000 | 19,8 | |
| 22:1 | 125 | 90 | 125 | 170 | 75 | 155 | 200 | 240 | 421 | 62 | 55 | 200 | 14 | 15 | 60 | 28,009 | 7,964 | 24,0 | 29,5 kg |
| | | | | | | | | | | | | | | | | 27,996 | 8,000 | 23,8 | |
| 30:1 | 112 | 63 | 115 | 170 | 50,5 | 140 | 195 | 212 | 473 | 51 | 45 | 202 | 9 | 13 | 50 | 24,009 | 7,964 | 20,0 | 39 kg |
| | | | | | | | | | | | | | | | | 23,996 | 8,000 | 19,8 | |
| 60 & 88:1 | 132 | 83 | 135 | 205 | 68 | 165 | 235 | 257 | 505 | 63 | 55 | 252 | 12 | 14 | 60 | 28,009 | 7,964 | 24,0 | 65 kg |
| | | | | | | | | | | | | | | | | 27,996 | 8,000 | 23,8 | |

FLANGE MOUNTED GEARBOX

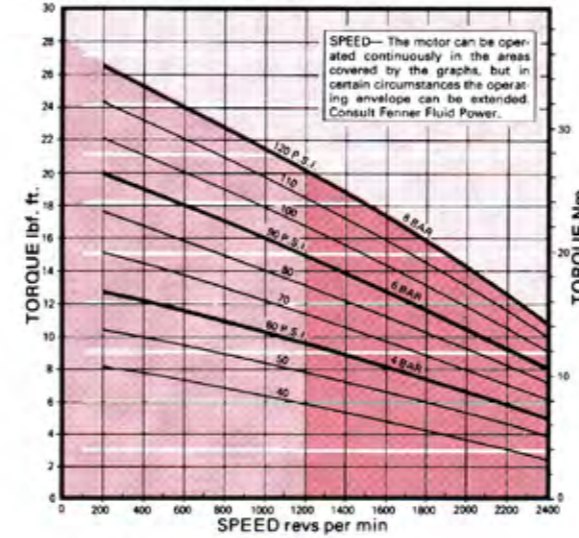


| RATIO | A | B | C | D | E | J | K | L | M | N | W | X | Y | Z | MASS |
|----------------------|-----|---------|----|----|-----|-----|------|------|----|-----|----|--------|-------|------|---------|
| 2,8 to 14:1 | 200 | 130,000 | 12 | 11 | 165 | 405 | 50 | N.A. | 45 | 3,5 | 50 | 24,009 | 7,964 | 20,0 | 23,6 kg |
| | | 129,937 | | | | | | | | | | 23,996 | 8,000 | 19,8 | |
| 22:1 | 250 | 180,000 | 15 | 11 | 215 | 421 | 60 | N.A. | 55 | 4,0 | 60 | 28,009 | 7,964 | 24,0 | 29,5 kg |
| | | 179,937 | | | | | | | | | | 27,996 | 8,000 | 23,8 | |
| 30:1 | 250 | 180,000 | 14 | 12 | 215 | 473 | 34,5 | 70 | 45 | 3,0 | 50 | 24,009 | 7,964 | 20,0 | 42 kg |
| | | 179,937 | | | | | | | | | | 23,996 | 8,000 | 19,8 | |
| 60 & 88:1 | 300 | 230,000 | 14 | 16 | 265 | 505 | 41 | 130 | 55 | 5,0 | 60 | 28,009 | 7,964 | 24,0 | 69 kg |
| | | 229,928 | | | | | | | | | | 27,996 | 8,000 | 23,8 | |

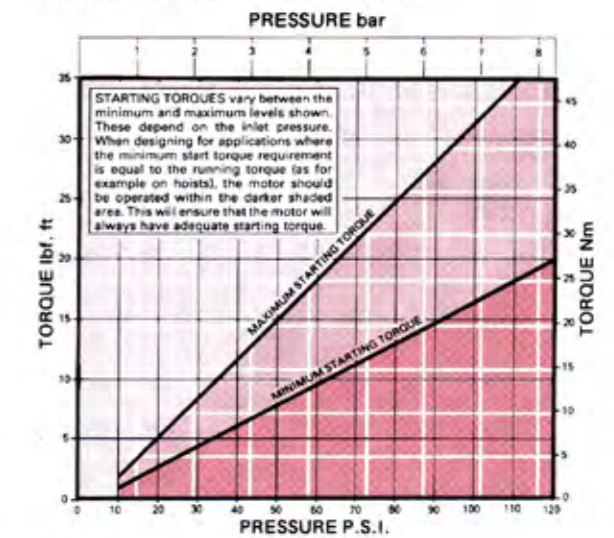


Reading graphs - Scales have been adjusted to enable bar and p.s.i. to be read from a common curve. Therefore only read p.s.i. with the left hand axis and bar with the right hand axis.

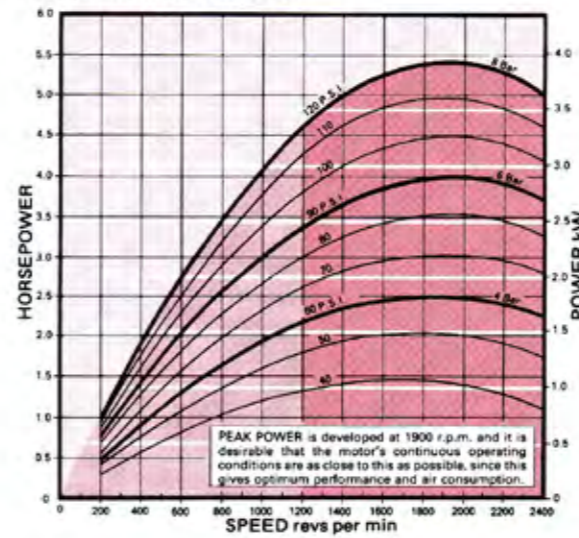
GRAPH 1 TORQUE - SPEED



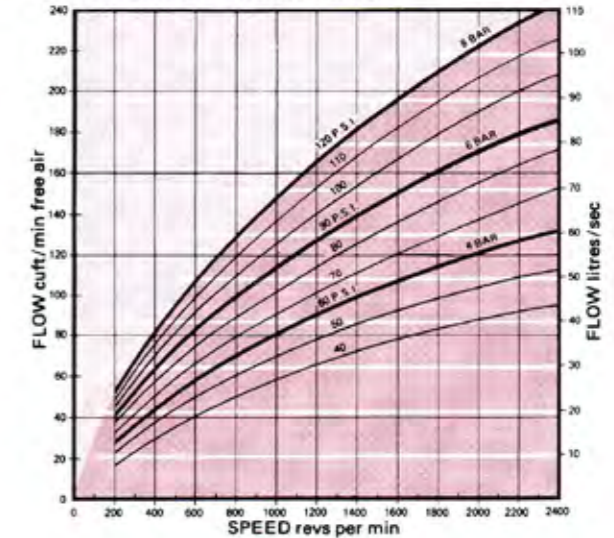
GRAPH 2 STARTING TORQUE - PRESSURE



GRAPH 3 POWER - SPEED



GRAPH 4 CONSUMPTION - SPEED



LUBRICATING OIL CAPACITIES

Horizontal 330 ml. Vertical 450ml.

Use a good quality hydraulic oil with a viscosity of around 100cSt (460SSU) at 40°C.

AIRLINE FILTRATION AND LUBRICATION

Use 64 micron filtration or better. Choose a lubricator suitable for the flow required. Prior to initial start-up, inject oil into the inlet port.

Lubricator drop rate: 3-4 drops / minute continuous operation.

Lubricator drop rate: 6-10 drops / minute intermittent operation.

MASS (MOTOR ONLY)

26 kg

MOMENT OF INERTIA

of rotating parts 0,56 gm²

MAX OVERHUNG FORCE SHAFT

890 N.

TEMPERATURE RANGE

-20°C to +80°C

RM210 GEARED MOTOR INSTALLATION DETAILS

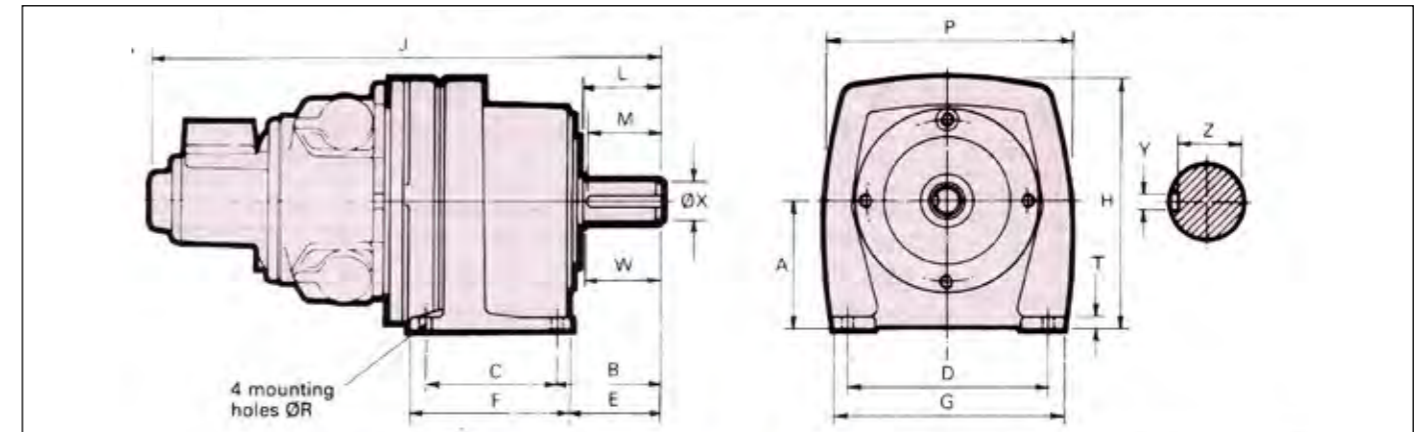
Maximum performance details listed below at 6 bar (90 psi). The performance under different conditions can be obtained by using the curves on page 154. A typical minimum gearbox efficiency of 90% can be expected. For higher pressures consult the manufacturer or their

distributors. The maximum overhung force is assumed acting midway along the output shaft; for other positions or higher loads on intermittent applications; consult the manufacturer of their distributors.

PERFORMANCE SUMMARY

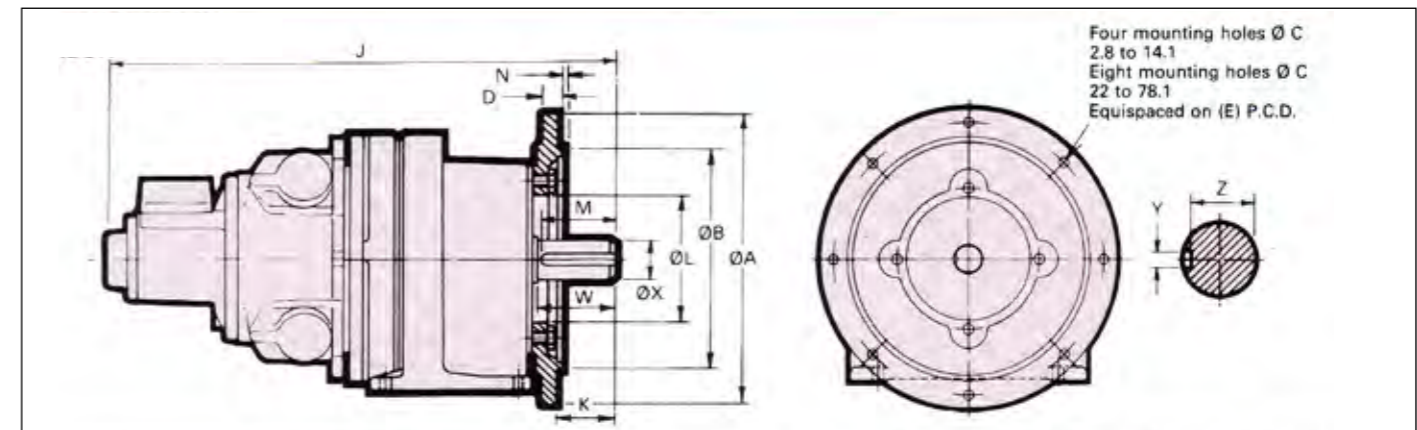
| Gearbox Ratio | Maximum Power Conditions | | | | | Approx. Min. Start Torque | | Max. Cont. | Max. Overhung Force | |
|---------------|--------------------------|-----|-----|--------|----------|---------------------------|----------|------------|---------------------|------|
| | Kw | hp | rpm | Torque | | Nm | lbf. ft. | rpm | N | lbf. |
| | | | | Nm | lbf. ft. | | | | | |
| 2,7 | 2,8 | 3,8 | 720 | 36 | 27 | 49 | 37 | 886 | 1200 | 270 |
| 4,9 | 2,8 | 3,8 | 401 | 65 | 49 | 88 | 67 | 494 | 1470 | 331 |
| 7,6 | 2,8 | 3,8 | 256 | 101 | 77 | 137 | 105 | 315 | 1650 | 371 |
| 9,1 | 2,8 | 3,8 | 214 | 121 | 93 | 165 | 126 | 263 | 1760 | 396 |
| 13 | 2,8 | 3,8 | 146 | 178 | 136 | 242 | 184 | 179 | 1850 | 416 |
| 22 | 2,8 | 3,8 | 87 | 297 | 226 | 403 | 307 | 108 | 6140 | 1382 |
| 32 | 2,7 | 3,6 | 62 | 399 | 304 | 541 | 413 | 76 | 6590 | 1480 |
| 58 | 2,7 | 3,6 | 34 | 730 | 557 | 991 | 756 | 41 | 11100 | 2490 |
| 78 | 2,7 | 3,6 | 25 | 989 | 754 | 1342 | 1023 | 31 | 11100 | 2490 |

BASE MOUNTED GEARBOX

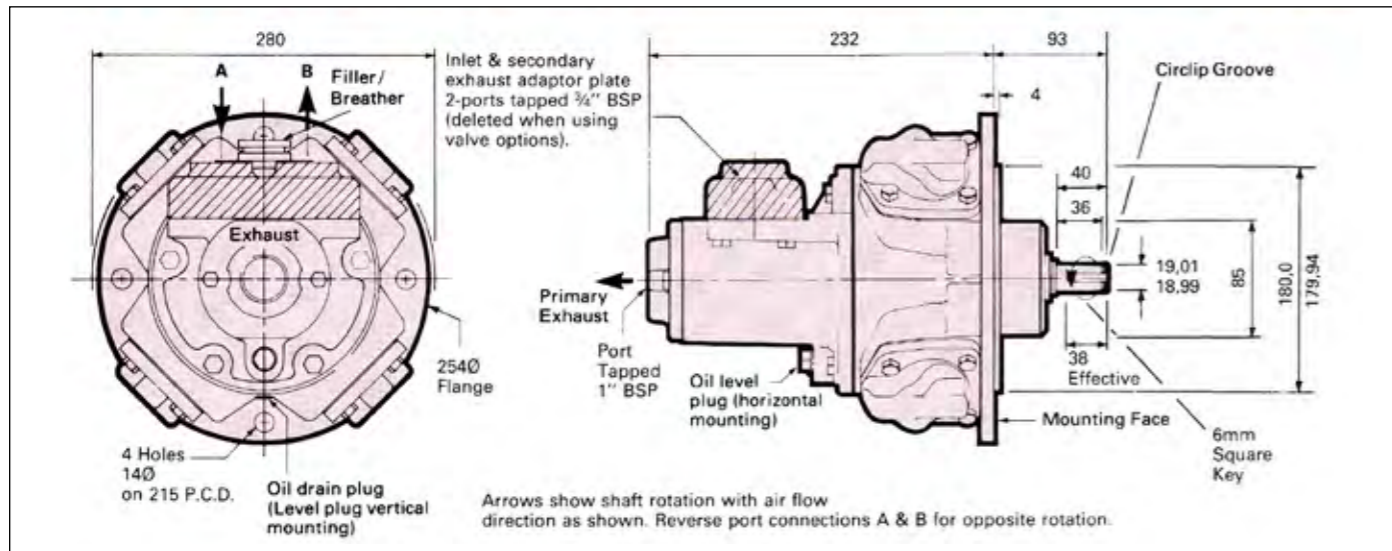


| RATIO | A | B | C | D | E | F | G | H | J | L | M | P | R | T | W | X | Y | Z | MASS |
|----------------------|-----|-----|-----|-----|----|-----|-----|-----|-----|----|----|-----|----|----|----|--------|--------|------|---------|
| 2,7 to 13:1 | 125 | 90 | 125 | 170 | 75 | 155 | 200 | 252 | 476 | 62 | 55 | 254 | 14 | 15 | 50 | 28,009 | 7,964 | 24,0 | 50,6 kg |
| | | | | | | | | | | | | | | | | 27,996 | 8,000 | 23,8 | |
| 22 to 32:1 | 170 | 106 | 160 | 230 | 91 | 190 | 290 | 320 | 615 | 83 | 75 | 302 | 12 | 16 | 80 | 32,018 | 9,964 | 27,0 | 100 kg |
| | | | | | | | | | | | | | | | | 32,009 | 10,000 | 26,8 | |
| 58 & 78:1 | 170 | 118 | 170 | 240 | 94 | 218 | 290 | 320 | 648 | 83 | 75 | 302 | 14 | 18 | 80 | 38,018 | 9,964 | 33,0 | 106 kg |
| | | | | | | | | | | | | | | | | 38,002 | 10,000 | 32,8 | |

FLANGE MOUNTED GEARBOX

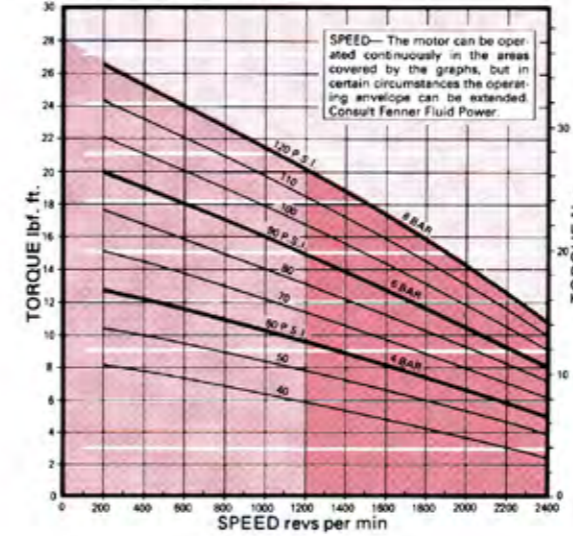


| RATIO | A | B | C | D | E | J | K | L | M | N | W | X | Y | Z | MASS |
|----------------------|-----|---------|----|----|-----|-----|----|------|----|---|----|--------|--------|------|---------|
| 2,7 to 13:1 | 250 | 180,000 | 15 | 11 | 215 | 476 | 60 | N.A. | 55 | 4 | 60 | 28,009 | 7,964 | 24,0 | 50,6 kg |
| | | 179,937 | | | | | | | | | | 27,996 | 8,000 | 23,8 | |
| 22 & 32:1 | 350 | 250,000 | 18 | 18 | 300 | 615 | 59 | 130 | 75 | 5 | 80 | 32,018 | 9,964 | 27,0 | 112 kg |
| | | 249,928 | | | | | | | | | | 32,009 | 10,000 | 26,8 | |
| 58 & 78:1 | 350 | 250,000 | 18 | 18 | 300 | 648 | 59 | 130 | 75 | 5 | 80 | 38,018 | 9,964 | 33,0 | 118 kg |
| | | 249,928 | | | | | | | | | | 38,002 | 10,000 | 32,8 | |

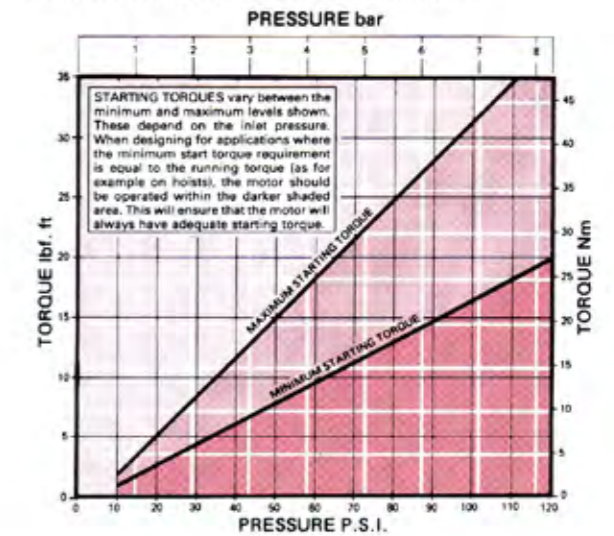


Reading graphs - Scales have been adjusted to enable bar and p.s.i. to be read from a common curve. Therefore only read p.s.i. with the left hand axis and bar with the right hand axis.

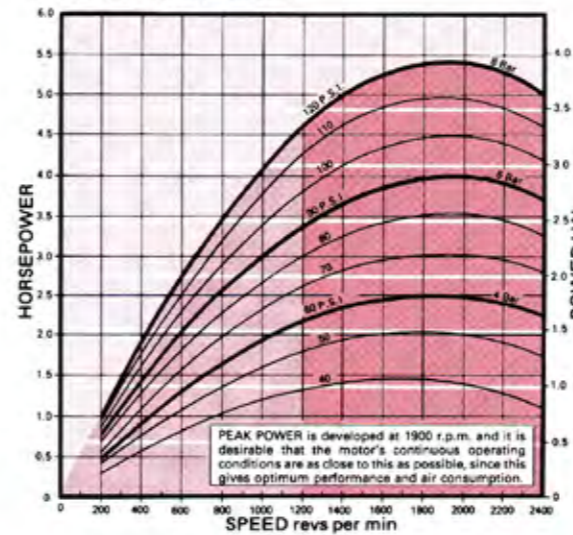
GRAPH 1 TORQUE - SPEED



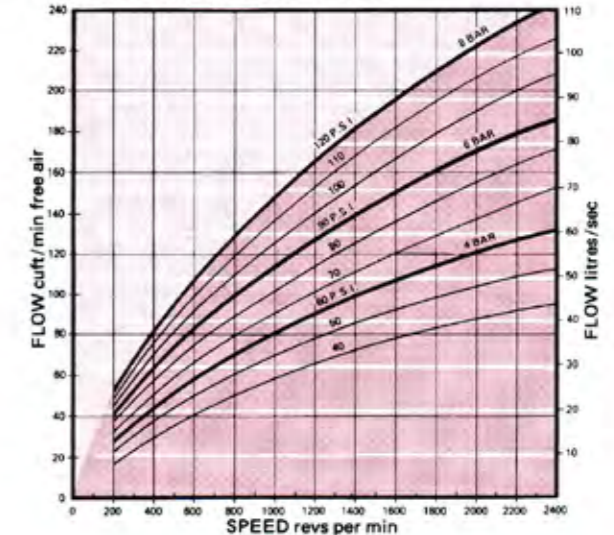
GRAPH 2 STARTING TORQUE - PRESSURE



GRAPH 3 POWER - SPEED



GRAPH 4 CONSUMPTION - SPEED



LUBRICATING OIL CAPACITIES

Horizontal 330 ml. Vertical 450ml.

Use a good quality hydraulic oil with a viscosity of around 100cSt (460SSU) at 40°C.

AIRLINE FILTRATION AND LUBRICATION

Use 64 micron filtration or better. Choose a lubricator suitable for the flow required. Prior to initial start-up, inject oil into the inlet port.

Lubricator drop rate: 3-4 drops / minute continuous operation.

Lubricator drop rate: 6-10 drops / minute intermittent operation.

MASS (MOTOR ONLY)

26 kg

MOMENT OF INERTIA

of rotating parts 0,56 gm²

MAX OVERHUNG FORCE SHAFT

890 N.

TEMPERATURE RANGE

-20°C to +80°C

RM310 GEARED MOTOR INSTALLATION DETAILS

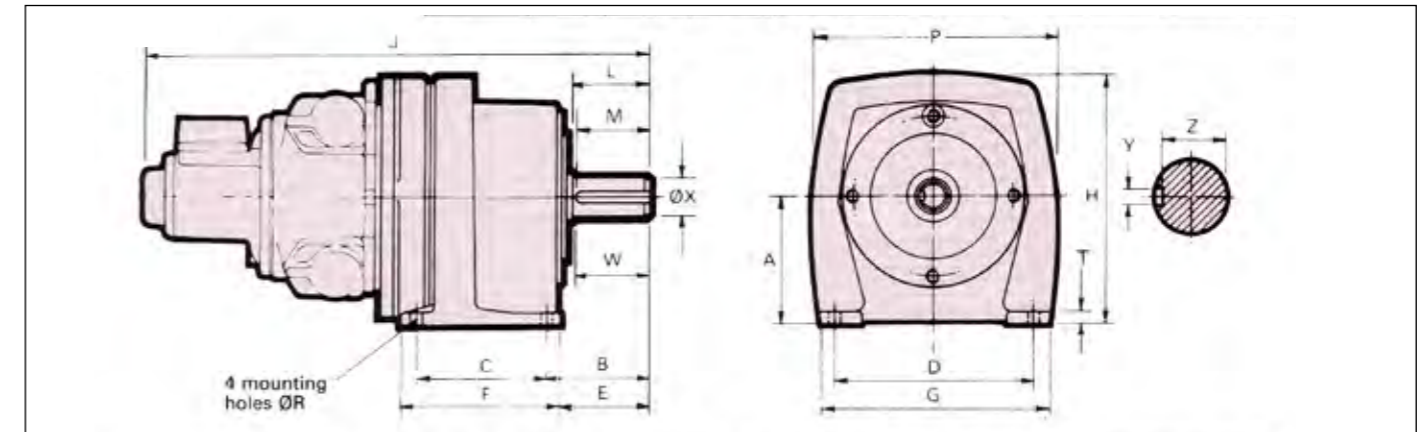
Maximum performance details listed below at 6 bar (90 psi). The performance under different conditions can be obtained by using the curves on page 158. A typical minimum gearbox efficiency of 90% can be expected. For higher pressures consult the manufacturer or their

distributors. The maximum overhung force is assumed acting midway along the output shaft; for other positions or higher loads on intermittent applications; consult the manufacturer of their distributors.

PERFORMANCE SUMMARY

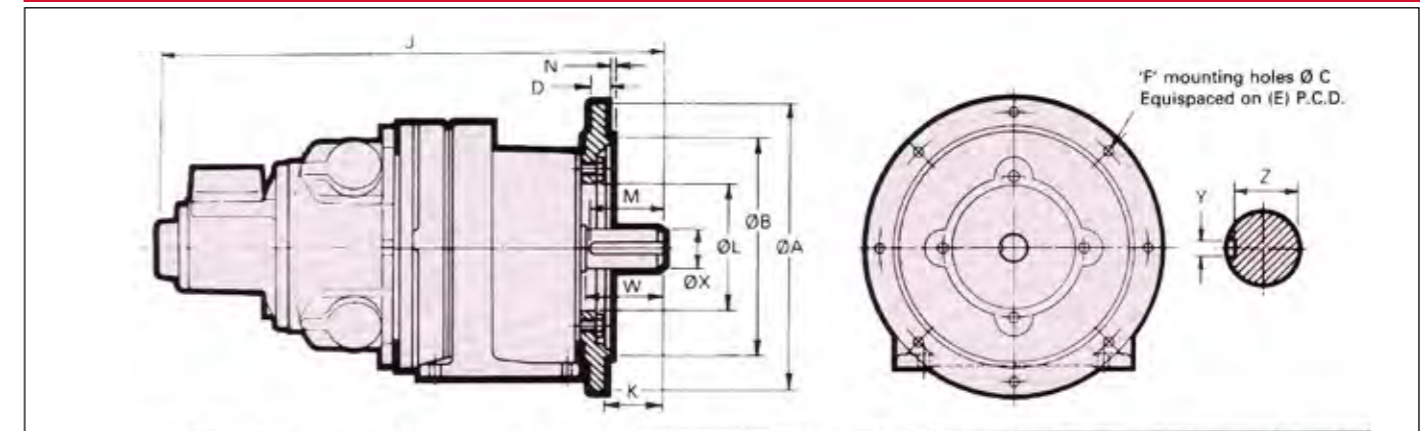
| Gearbox Ratio | Maximum Power Conditions | | | | | Approx. Min. Start Torque | | Max. Cont. | Max. Overhung Force | |
|---------------|--------------------------|-----|-----|--------|----------|---------------------------|----------|------------|---------------------|------|
| | Kw | hp | rpm | Torque | | Nm | lbf. ft. | rpm | N | lbf. |
| | | | | Nm | lbf. ft. | | | | | |
| 2,8 | 6,1 | 8,2 | 647 | 87 | 66 | 90 | 68 | 863 | 1270 | 286 |
| 5,0 | 6,1 | 8,2 | 358 | 158 | 120 | 162 | 124 | 477 | 1490 | 335 |
| 7,1 | 6,1 | 8,2 | 253 | 223 | 170 | 230 | 175 | 337 | 1690 | 380 |
| 8,9 | 6,1 | 8,2 | 203 | 278 | 212 | 287 | 219 | 270 | 1770 | 398 |
| 13 | 6,1 | 8,2 | 136 | 414 | 316 | 427 | 325 | 182 | 1860 | 419 |
| 21 | 5,8 | 7,8 | 86 | 624 | 476 | 643 | 490 | 114 | 8010 | 1800 |
| 31 | 5,8 | 7,8 | 57 | 931 | 710 | 959 | 732 | 77 | 10200 | 2290 |
| 56 | 5,8 | 7,8 | 32 | 1674 | 1277 | 1725 | 1316 | 43 | 12900 | 2900 |
| 85 | 5,8 | 7,8 | 21 | 2512 | 1916 | 2588 | 1974 | 28 | 21400 | 4810 |

BASE MOUNTED GEARBOX

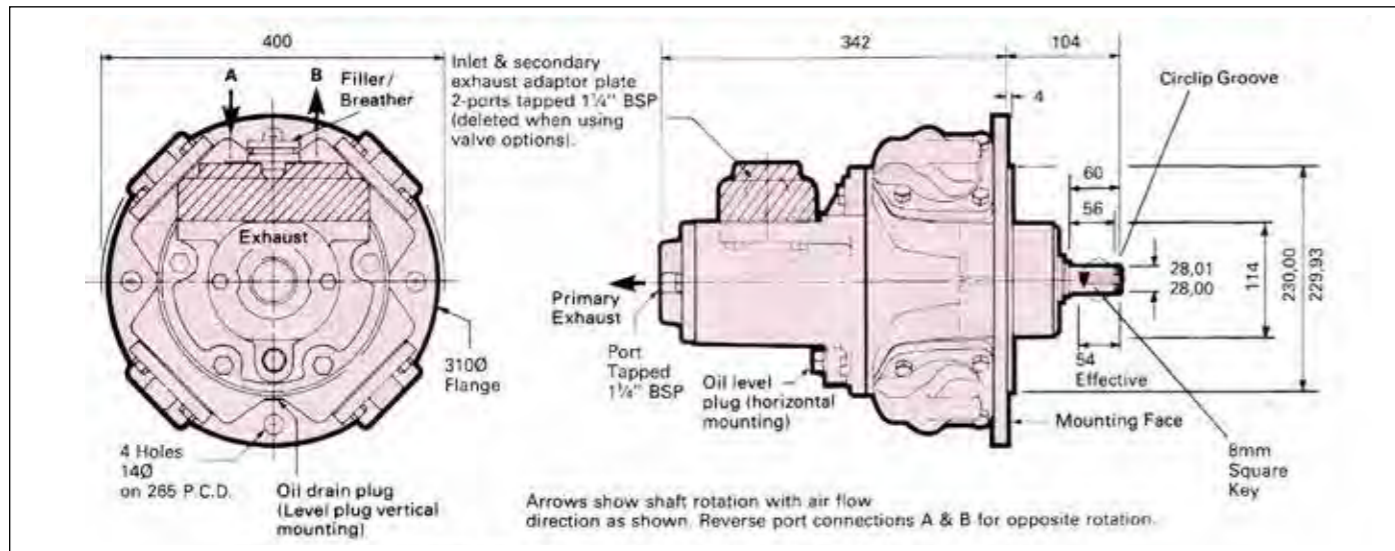


| RATIO | A | B | C | D | E | F | G | H | J | L | M | P | R | T | W | X | Y | Z | MASS |
|----------------------|-----|-----|-----|-----|-----|-----|-----|-----|-----|-----|-----|-----|----|----|-----|--------|--------|------|---------|
| 2,8 to 13:1 | 155 | 115 | 165 | 210 | 95 | 205 | 250 | 308 | 600 | 83 | 75 | 305 | 14 | 25 | 80 | 38,018 | 9,964 | 33,0 | 85,5 kg |
| | | | | | | | | | | | | | | | | 38,002 | 10,000 | 32,8 | |
| 21 & 31:1 | 170 | 118 | 170 | 240 | 94 | 218 | 290 | 320 | 702 | 83 | 75 | 305 | 14 | 18 | 80 | 38,018 | 9,964 | 33,0 | 130 kg |
| | | | | | | | | | | | | | | | | 38,002 | 10,000 | 32,8 | |
| 56:1 | 190 | 150 | 195 | 275 | 123 | 247 | 320 | 365 | 710 | 114 | 100 | 350 | 22 | 22 | 114 | 45,018 | 13,957 | 39,5 | 145 kg |
| | | | | | | | | | | | | | | | | 45,002 | 14,000 | 39,3 | |
| 85:1 | 225 | 155 | 265 | 335 | 133 | 312 | 390 | 425 | 778 | 124 | 120 | 400 | 22 | 25 | 124 | 55,030 | 15,597 | 49,0 | 200 kg |
| | | | | | | | | | | | | | | | | 55,011 | 16,000 | 49,8 | |

FLANGE MOUNTED GEARBOX

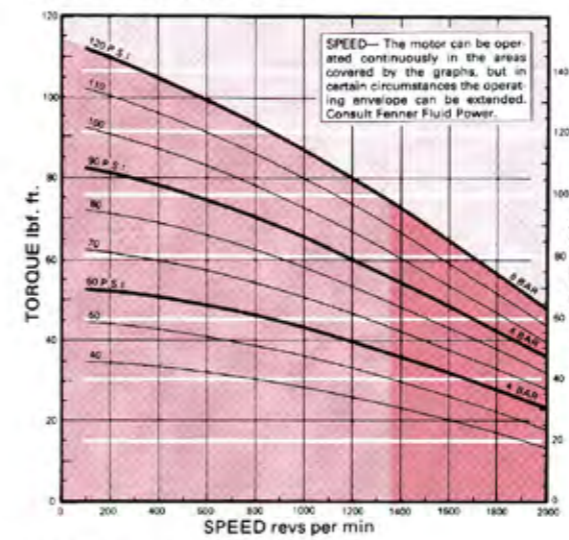


| RATIO | A | B | C | D | E | F | J | K | L | M | N | W | X | Y | Z | MASS |
|----------------------|-----|---------|----|----|-----|---|-----|----|------|-----|---|-----|--------|--------|------|---------|
| 2,8 to 13:1 | 300 | 230,000 | 15 | 15 | 265 | 4 | 600 | 80 | N.A. | 75 | 4 | 80 | 38,018 | 9,964 | 33,0 | 85,5 kg |
| | | 229,928 | | | | | | | | | | | 38,002 | 10,000 | 32,8 | |
| 21 & 31:1 | 350 | 250,000 | 18 | 18 | 300 | 4 | 702 | 59 | 130 | 75 | 5 | 80 | 38,018 | 9,964 | 33,0 | 138 kg |
| | | 249,928 | | | | | | | | | | | 38,002 | 10,000 | 32,8 | |
| 56:1 | 450 | 350,000 | 19 | 20 | 400 | 8 | 710 | 80 | 180 | 100 | 5 | 114 | 45,018 | 13,957 | 39,5 | 155 kg |
| | | 349,911 | | | | | | | | | | | 45,002 | 14,000 | 39,3 | |
| 85:1 | 550 | 450,000 | 19 | 22 | 500 | 8 | 778 | 85 | 230 | 120 | 5 | 124 | 55,030 | 15,597 | 49,0 | 212 kg |
| | | 449,903 | | | | | | | | | | | 55,011 | 16,000 | 48,8 | |

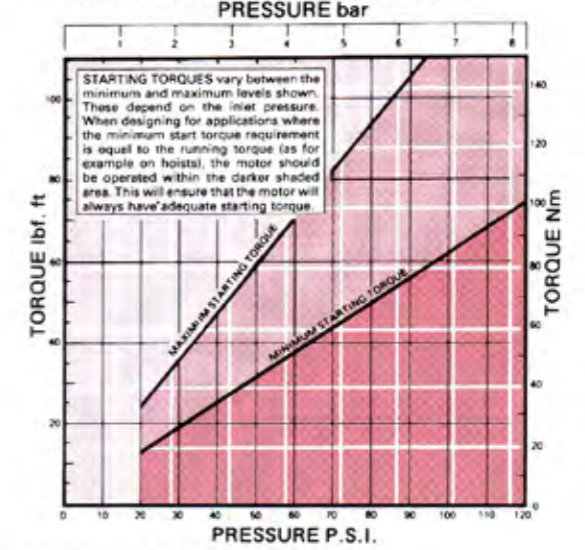


Reading graphs - Scales have been adjusted to enable bar and p.s.i. to be read from a common curve. Therefore only read p.s.i. with the left hand axis and bar with the right hand axis.

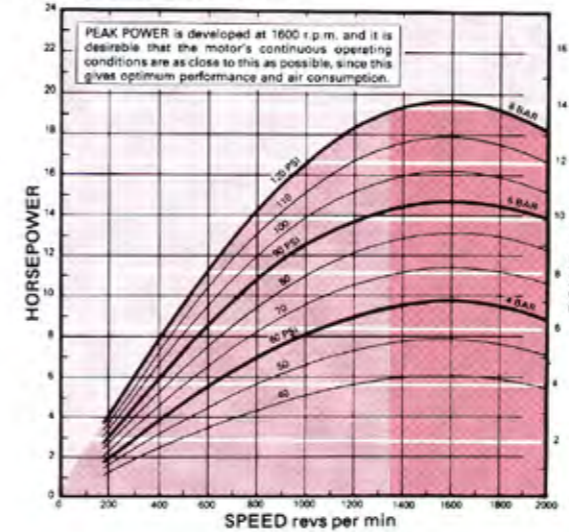
GRAPH 1 TORQUE - SPEED



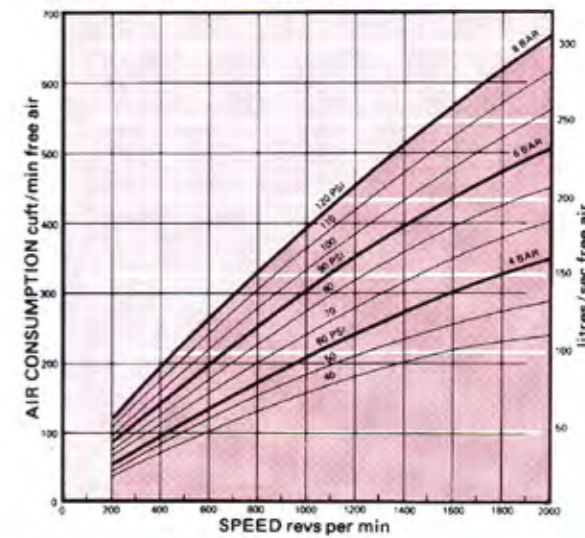
GRAPH 2 STARTING TORQUE - PRESSURE



GRAPH 3 POWER - SPEED



GRAPH 4 CONSUMPTION - SPEED



LUBRICATING OIL CAPACITIES

Horizontal 500 ml. Vertical 940ml.
Use a good quality hydraulic oil with a viscosity of around 100cSt (460SSU) at 40°C.

AIRLINE FILTRATION AND LUBRICATION

Use 64 micron filtration or better. Choose a lubricator suitable for the flow required. Prior to initial start-up, inject oil into the inlet port.

Lubricator drop rate: 3-4 drops / minute continuous operation.

Lubricator drop rate: 6-10 drops / minute intermittent operation.

MASS (MOTOR ONLY)

62 kg

MOMENT OF INERTIA

of rotating parts 4,1 gm²

MAX OVERHUNG FORCE SHAFT

1330 N.

TEMPERATURE RANGE

-20°C to +80°C

RM410 GEARED MOTOR INSTALLATION DETAILS

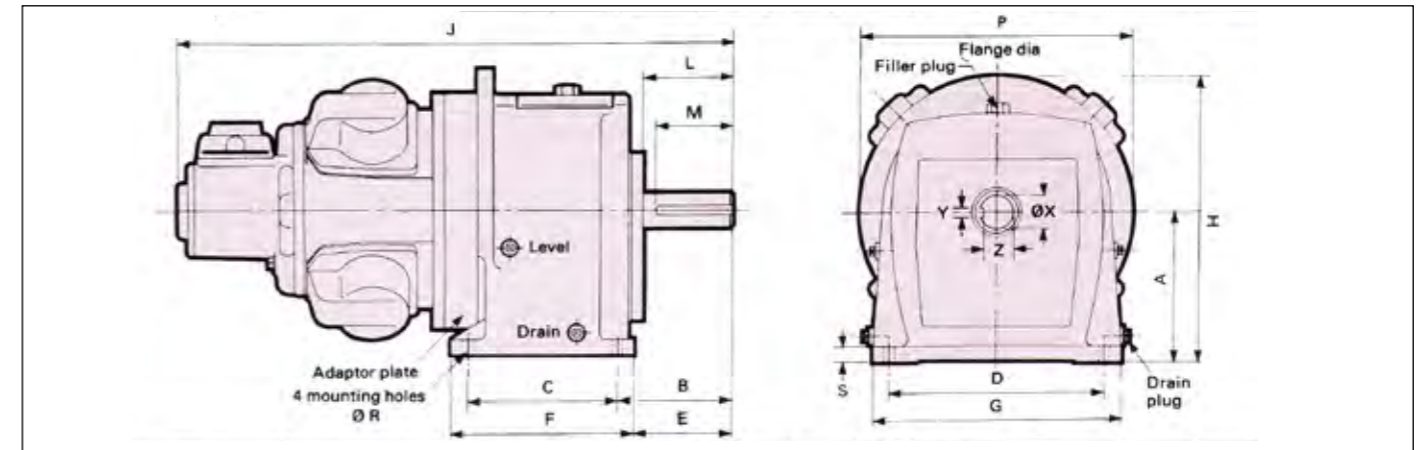
Maximum performance details listed below at 6 bar (90 psi). The performance under different conditions can be obtained by using the curves on page 162. A typical minimum gearbox efficiency of 90% can be expected. For higher pressures consult the manufacturer or their

distributors. The maximum overhung force is assumed acting midway along the output shaft; for other positions or higher loads on intermittent applications; consult the manufacturer of their distributors.

PERFORMANCE SUMMARY

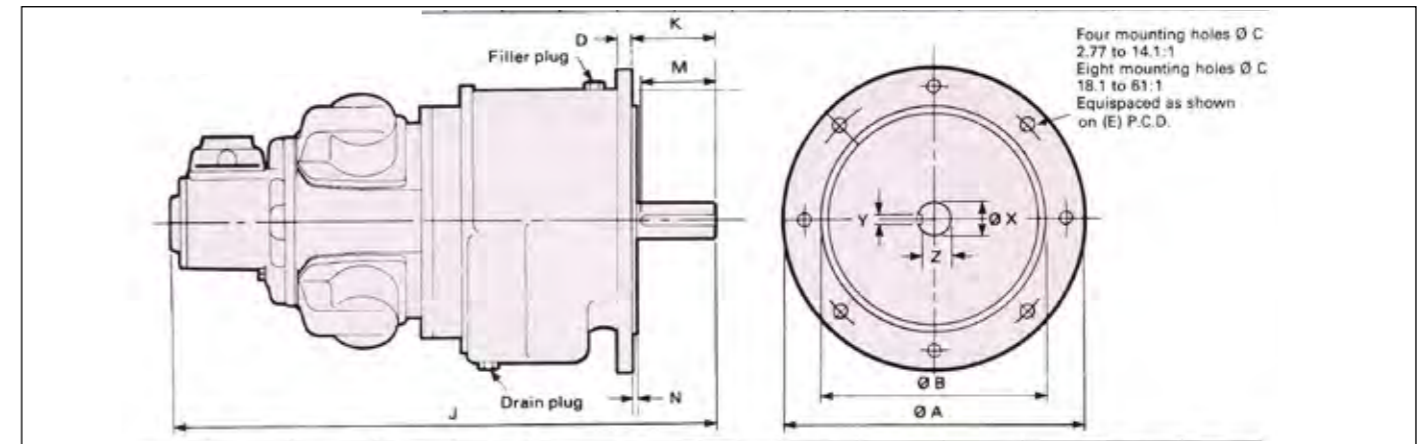
| Gearbox Ratio | Maximum Power Conditions | | | | | Approx. Min. Start Torque | | Max. Cont. | Max. Overhung Force | |
|---------------|--------------------------|------|-----|--------|----------|---------------------------|----------|------------|---------------------|------|
| | Kw | hp | rpm | Torque | | Nm | lbf. ft. | rpm | N | lbf. |
| | | | | Nm | lbf. ft. | | | | | |
| 2,8 | 10,5 | 14,1 | 578 | 168 | 128 | 189 | 145 | 722 | 6890 | 1550 |
| 4,5 | 10,5 | 14,1 | 360 | 271 | 206 | 304 | 232 | 449 | 7470 | 1680 |
| 7,2 | 10,5 | 14,1 | 222 | 438 | 334 | 493 | 376 | 277 | 8620 | 1940 |
| 11 | 10,5 | 14,1 | 148 | 656 | 500 | 738 | 563 | 185 | 9560 | 2150 |
| 14 | 10,5 | 14,1 | 113 | 857 | 654 | 964 | 736 | 142 | 10200 | 2300 |
| 18 | 10,0 | 13,4 | 88 | 1042 | 795 | 1172 | 894 | 111 | 16900 | 3800 |
| 24 | 10,0 | 13,4 | 67 | 1371 | 1046 | 1543 | 1177 | 84 | 17100 | 3850 |
| 28 | 10,0 | 13,4 | 57 | 1612 | 1230 | 1814 | 1383 | 71 | 18200 | 4100 |
| 37 | 10,0 | 13,4 | 44 | 2106 | 1607 | 2370 | 1807 | 55 | 20400 | 4600 |
| 61 | 10,0 | 13,4 | 26 | 3514 | 2680 | 3953 | 3015 | 33 | 24400 | 5500 |

BASE MOUNTED GEARBOX

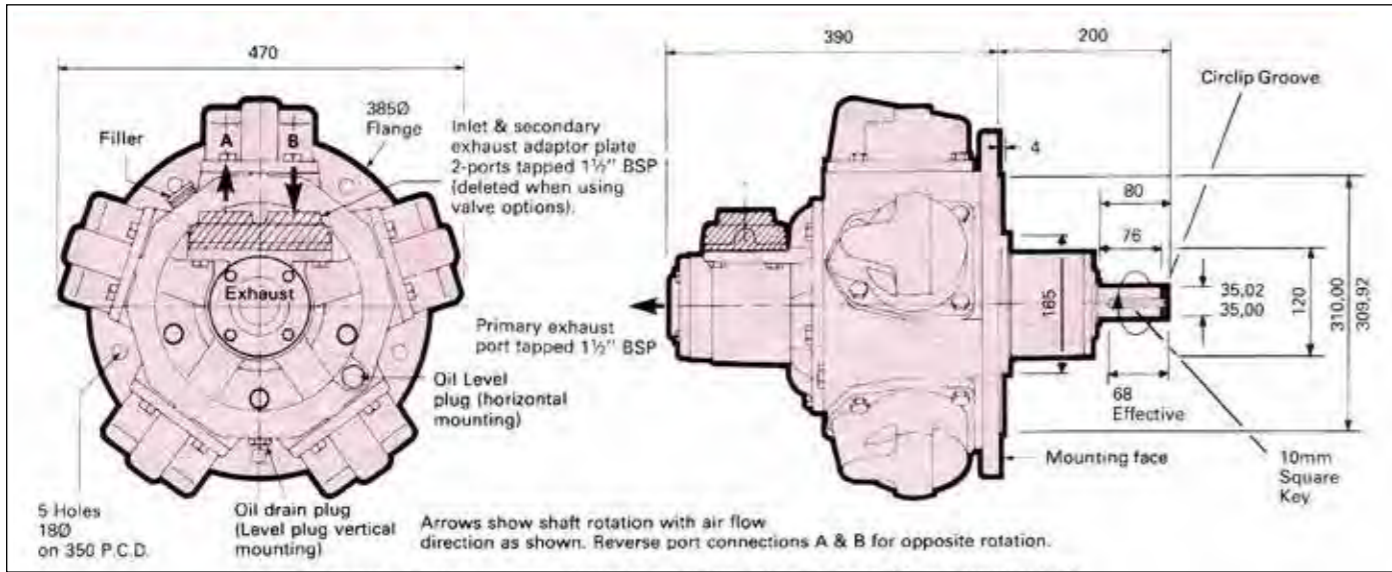


| RATIO | A | B | C | D | E | F | G | H | J | L | M | P | R | X | Y | Z | MASS |
|--------------------|-----|-----|-----|-----|-----|-----|-----|-----|-----|-----|-----|-----|----|-------|-------|------|--------|
| 2,8 to 14:1 | 190 | 151 | 195 | 275 | 125 | 246 | 320 | 365 | 716 | 105 | 100 | 350 | 14 | 45,02 | 13,98 | 39,5 | 146 kg |
| | | | | | | | | | | | | | | 45,00 | 39,3 | 39,3 | |
| 18 to 61:1 | 265 | 185 | 305 | 380 | 152 | 365 | 440 | 490 | 816 | 138 | 125 | 450 | 28 | 65,03 | 17,98 | 58,0 | 273 kg |
| | | | | | | | | | | | | | | 65,01 | 17,94 | 57,8 | |

FLANGE MOUNTED GEARBOX

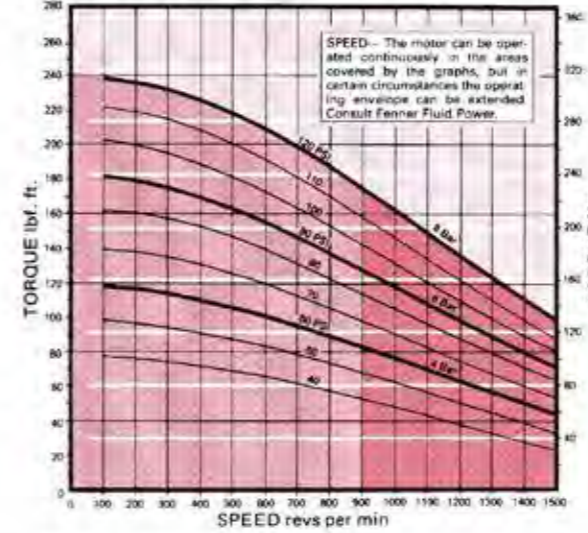


| RATIO | A | B | C | D | E | J | K | M | N | X | Y | Z | MASS |
|--------------------|-----|--------|--------|----|-----|-----|-----|-----|---|-------|-------|------|--------|
| 2,8 to 14:1 | 400 | 300,00 | 4 x 18 | 19 | 350 | 716 | 110 | 100 | 6 | 45,02 | 13,98 | 39,5 | 146 kg |
| | | 299,92 | | | | | | | | 45,00 | 13,94 | 39,3 | |
| 18 to 61:1 | 550 | 450,00 | 8 x 18 | 22 | 500 | 816 | 140 | 125 | 6 | 65,03 | 17,98 | 58,0 | 273 kg |
| | | 449,92 | | | | | | | | 65,01 | 17,94 | 57,8 | |

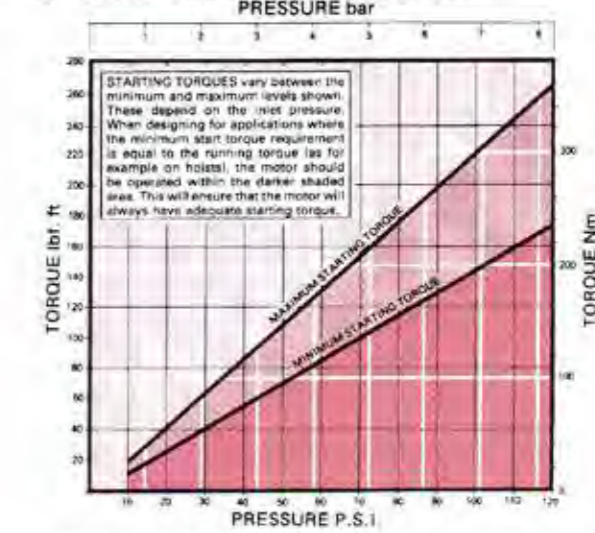


Reading graphs - Scales have been adjusted to enable bar and p.s.i. to be read from a common curve. Therefore only read p.s.i. with the left hand axis and bar with the right hand axis.

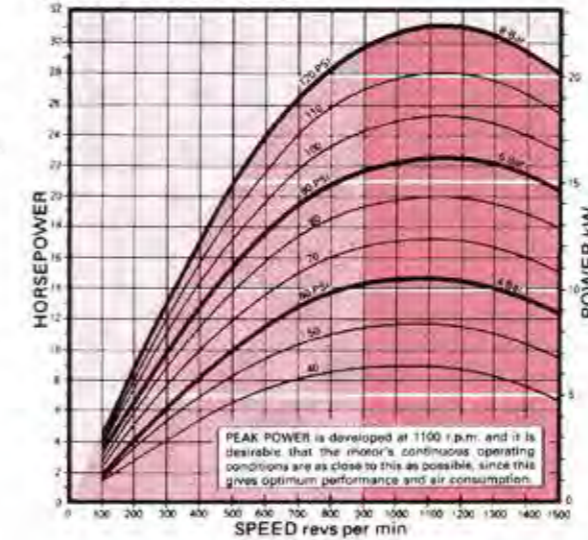
GRAPH 1 TORQUE - SPEED



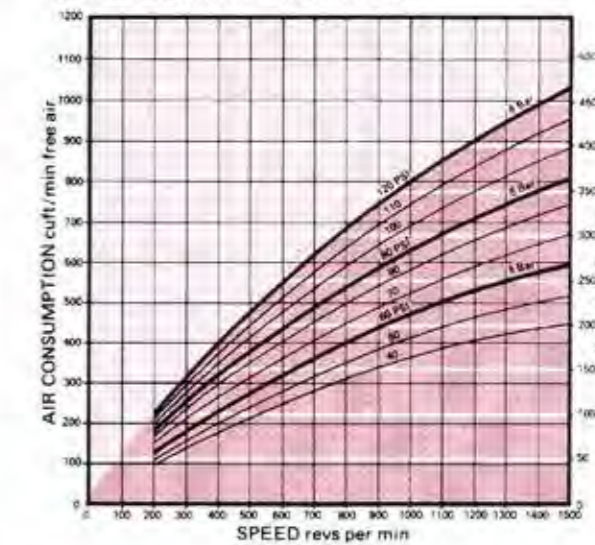
GRAPH 2 STARTING TORQUE - PRESSURE



GRAPH 3 POWER - SPEED



GRAPH 4 CONSUMPTION - SPEED



LUBRICATING OIL CAPACITIES

Horizontal 1,1 l. Vertical 2,1 l.

Use a good quality hydraulic oil with a viscosity of around 100cSt (460SSU) at 40°C.

AIRLINE FILTRATION AND LUBRICATION

Use 64 micron filtration or better. Choose a lubricator suitable for the flow required. Prior to initial start-up, inject oil into the inlet port.

Lubricator drop rate: 3-4 drops / minute continuous operation.

Lubricator drop rate: 6-10 drops / minute intermittent operation.

MASS (MOTOR ONLY)

115 kg

MOMENT OF INERTIA

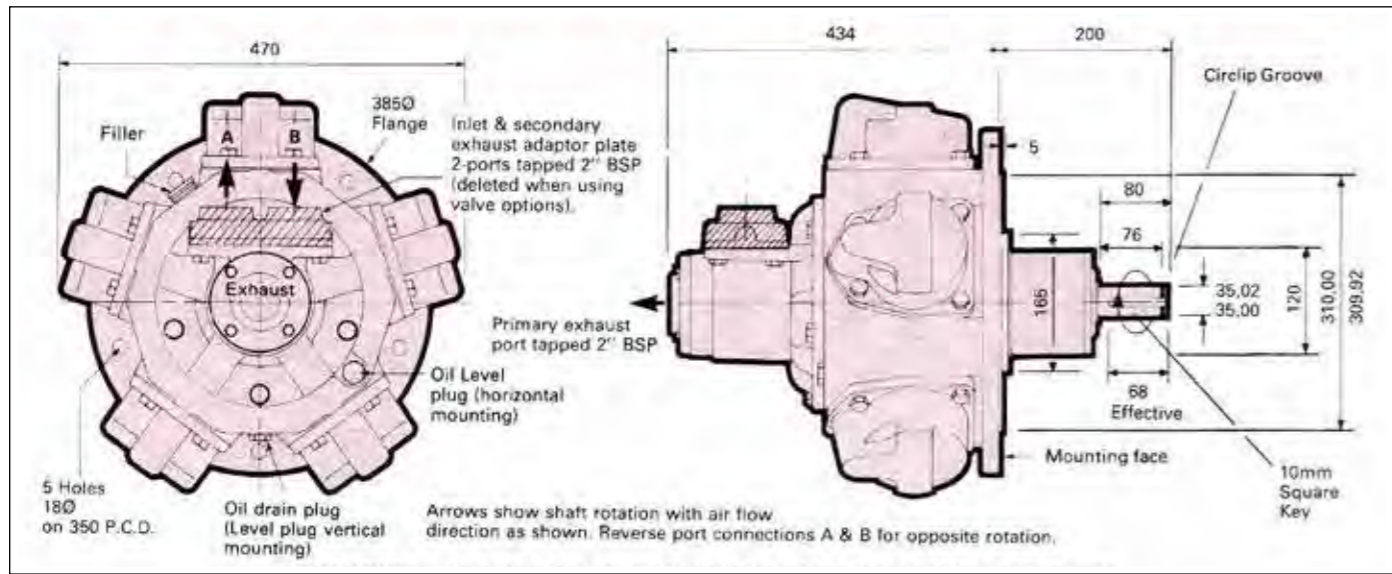
of rotating parts 14 gm²

MAX OVERHUNG FORCE SHAFT

6500 N.

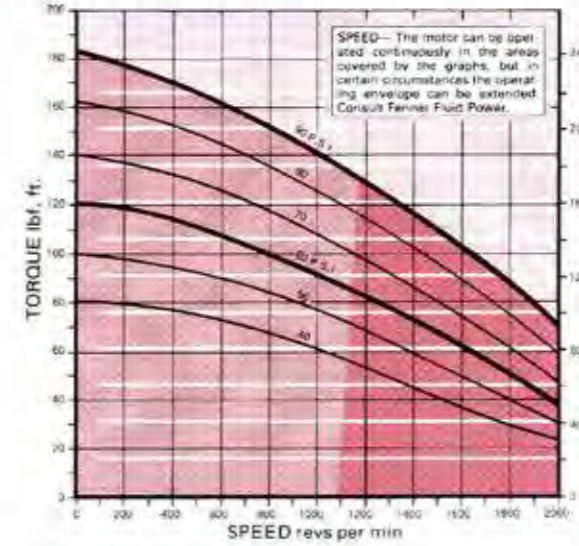
TEMPERATURE RANGE

-20°C to +80°C

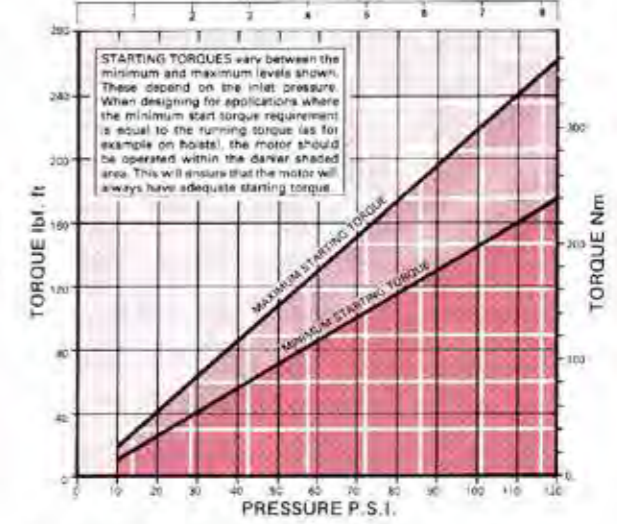


Reading graphs - Scales have been adjusted to enable bar and p.s.i. to be read from a common curve. Therefore only read p.s.i. with the left hand axis and bar with the right hand axis.

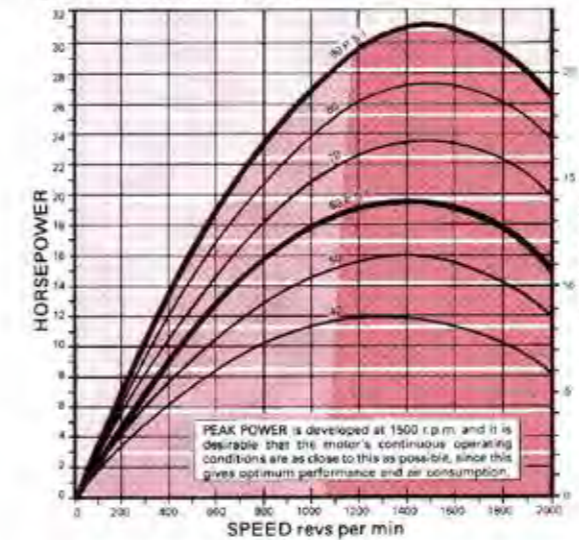
GRAPH 1 TORQUE - SPEED



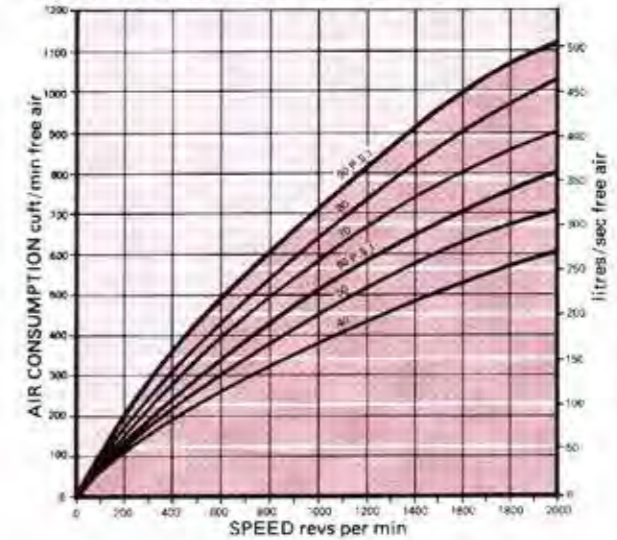
GRAPH 2 STARTING TORQUE - PRESSURE



GRAPH 3 POWER - SPEED



GRAPH 4 CONSUMPTION - SPEED



LUBRICATING OIL CAPACITIES

Horizontal 1,1 l. Vertical 2,1 l.

Use a good quality hydraulic oil with a viscosity of around 100cSt (460SSU) at 40°C.

AIRLINE FILTRATION AND LUBRICATION

Use 64 micron filtration or better. Choose a lubricator suitable for the flow required. Prior to initial start-up, inject oil into the inlet port.

Lubricator drop rate: 3-4 drops / minute continuous operation.

Lubricator drop rate: 6-10 drops / minute intermittent operation.

MASS (MOTOR ONLY)

125 kg

MOMENT OF INERTIA

of rotating parts 14 gm²

MAX OVERHUNG FORCE SHAFT

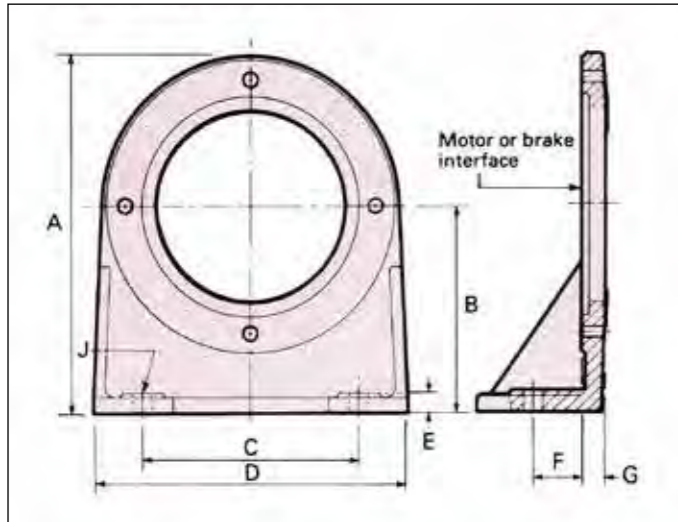
6500 N.

TEMPERATURE RANGE

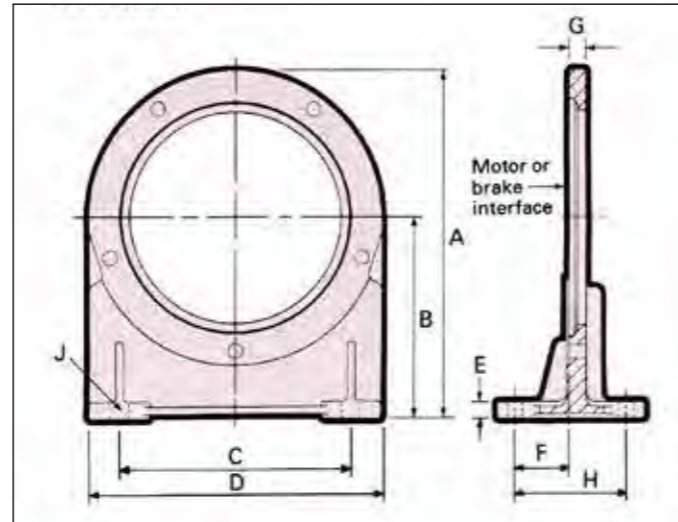
-20°C to +80°C

FOOT BRACKETS AND SILENCERS

FOOT BRACKET FOR RM- 050, 210, 310, 410



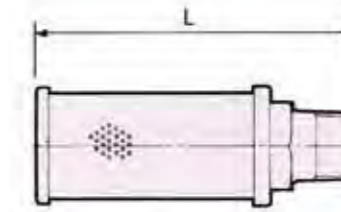
FOOT BRACKET FOR RM- 510, 610



| | 050 | 110 | 210 | 310 | 410 | 510 | 610 |
|----------|----------|----------|----------|----------|----------|----------|----------|
| A | 220 | 220 | 310 | 370 | 372 | 457 | 457 |
| B | 125 | 125 | 180 | 215 | 215 | 264 | 264 |
| | 124,5 | 124,5 | 179,5 | 214,5 | 214,5 | 263,5 | 263,5 |
| C | 140 | 140 | 190 | 228 | 228 | 305 | 305 |
| D | 203 | 203 | 280 | 330 | 330 | 386 | 386 |
| E | 10 | 10 | 20 | 19 | 21 | 22 | 22 |
| F | 32 | 32 | 42 | 52 | 52 | 70 | 70 |
| G | 16 | 16 | 19 | 22 | 22 | 22 | 22 |
| H | - | - | - | - | - | 146 | 146 |
| J | 2 x Ø 14 | 2 x Ø 14 | 2 x Ø 18 | 2 x Ø 20 | 2 x Ø 20 | 2 x Ø 22 | 2 x Ø 22 |

SILENCERS

Silencers screw directly into the primary and secondary exhaust ports. Note - control valves all have secondary exhaust ports. Please contact us for more information and possibilities regarding the silencers.



Normally supplied in kit form complete with fittings.



VALVE OPTIONS

This range of bolt on valves offers very sensitive speed and directional control. One frictionless matched spool and sleeve assembly is offered with two alternative means of actuation.

CONFIGURATION

As standard these valves can be supplied with either EQUAL POWER OR BAISED POWER spools, the latter is suitable for hoisting applications (normal power for lifting - reduced power for lowering). The direction of reduced power must be stated when ordering CW or CCW, when viewed on the output shaft of the motor or geared motor.

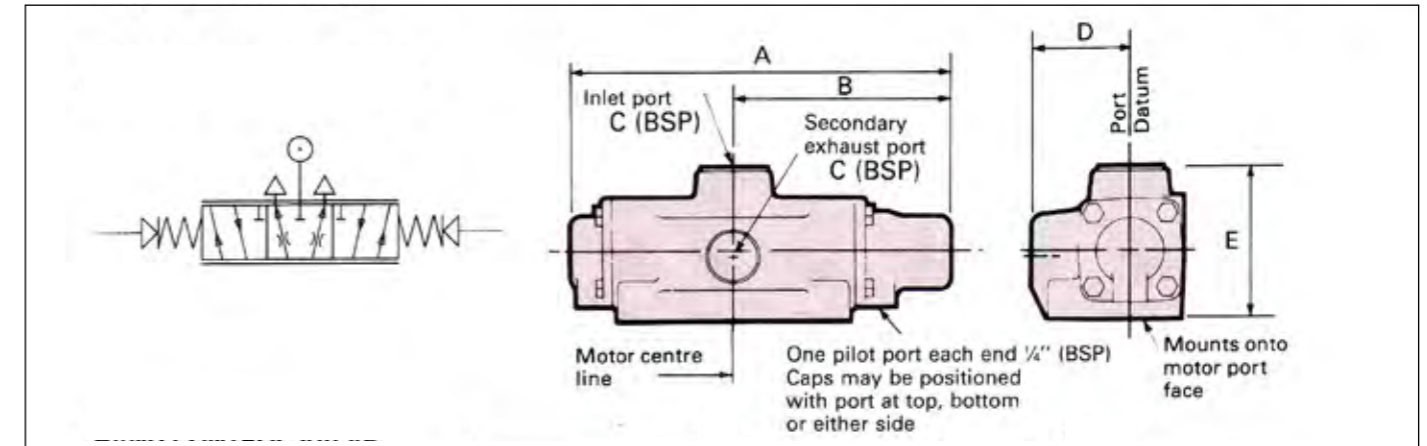
1. REMOTELY CONTROLLED (RCV) - This option is usually controlled from a remote position by one of the PC series or LC2 units shown opposite. A variable air pilot signal is applied to either end of the valve spool, depending on the required direction of motor rotation. The pilot pressure range is between 1.4 bar (20 psi) and 4.8 bar (70 psi), increased pilot pressure gives increased speed. The valve is spring centred to neutral.

2. HAND CONTROLLED (HCV) - The control valve spool is operated directly by a lever mechanism. Speed increase is obtained as the lever is moved in either direction from the centre (neutral) position.

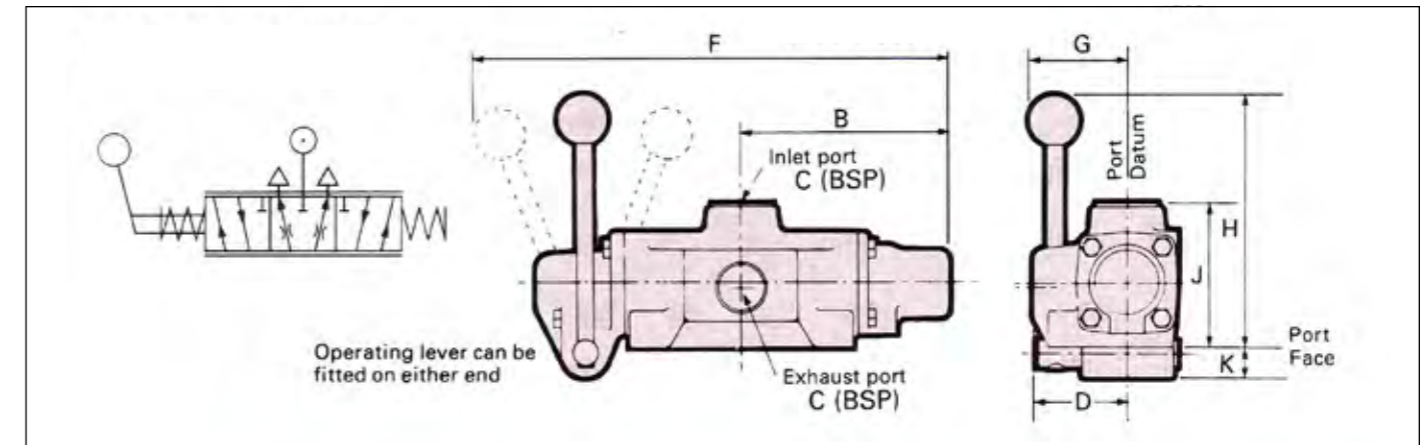
PRESSURE DROP

Minimal pressure drop will be experienced through the valves, having the effect of maintaining the output torque whilst reducing the motor output speed by approximately 10-15% at 6 bar (90 psi) at maximum power. The starting torque remains unaffected.

REMOTE CONTROL VALVE



HAND CONTROL VALVE



| Motors | A | B | C (BSP) | D | E | F | G | H | J | K |
|----------------------|-----|-----|---------|----|-----|-----|----|-----|-----|----|
| 050 & 110 | 210 | 118 | 1/2" | 61 | 84 | 270 | 61 | 162 | 84 | 21 |
| 210 | 210 | 118 | 3/4" | 61 | 84 | 270 | 61 | 162 | 84 | 21 |
| 310 | 280 | 160 | 1" | 72 | 103 | 365 | 75 | 193 | 103 | 27 |
| 410 | 280 | 160 | 1 1/4" | 72 | 114 | 365 | 75 | 198 | 112 | 22 |
| 510 | 355 | 197 | 1 1/2" | 97 | 137 | 413 | 90 | 190 | 137 | 27 |
| 610 | 355 | 197 | 2" | 97 | 137 | 413 | 90 | 190 | 137 | 27 |

PENDANT CONTROLS (PC2, 4 OR 6)

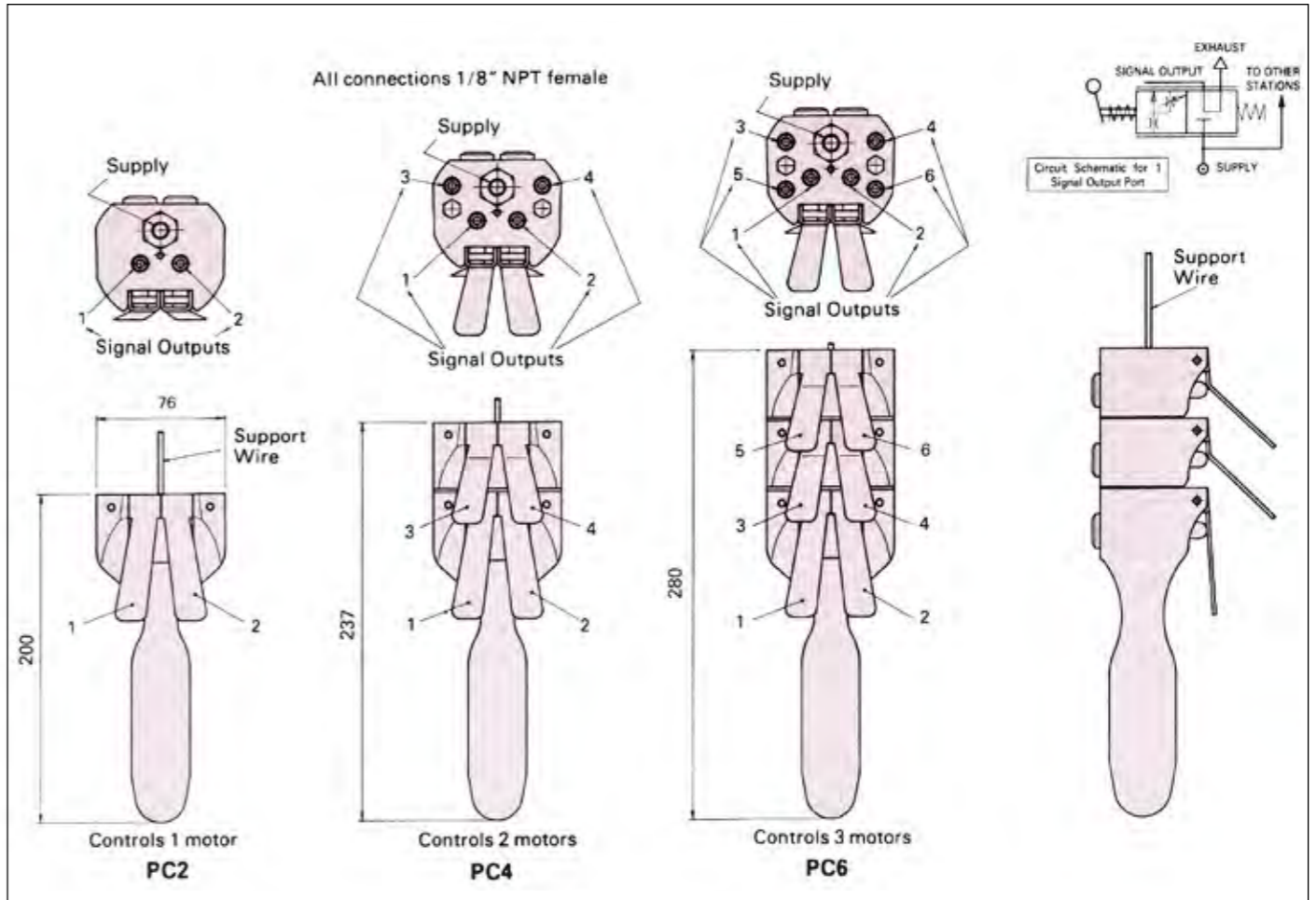
The PC2, 4 and 6 remote controllers are designed specifically for use with the RCV modules previous. They provide the correct range of pilot pressure required to operate the RCV units, and give excellent control of motor speed. The PC2 is used to control one (hoist) motor; the PC4 can control two motors independently (say hoist and long travel); the PC6 can control three motors independently (hoist, long travel, traverse). Motors of different sizes can be controlled from the same unit.

Control line lengths up to 36m (120ft) give excellent response. For distance in excess of this consult the manufacturer or distributors. The control lines are small bore eliminating the need for large capacity air supply lines between motor and controllers. If required, supply pressure can be taken from the port on the RCV.

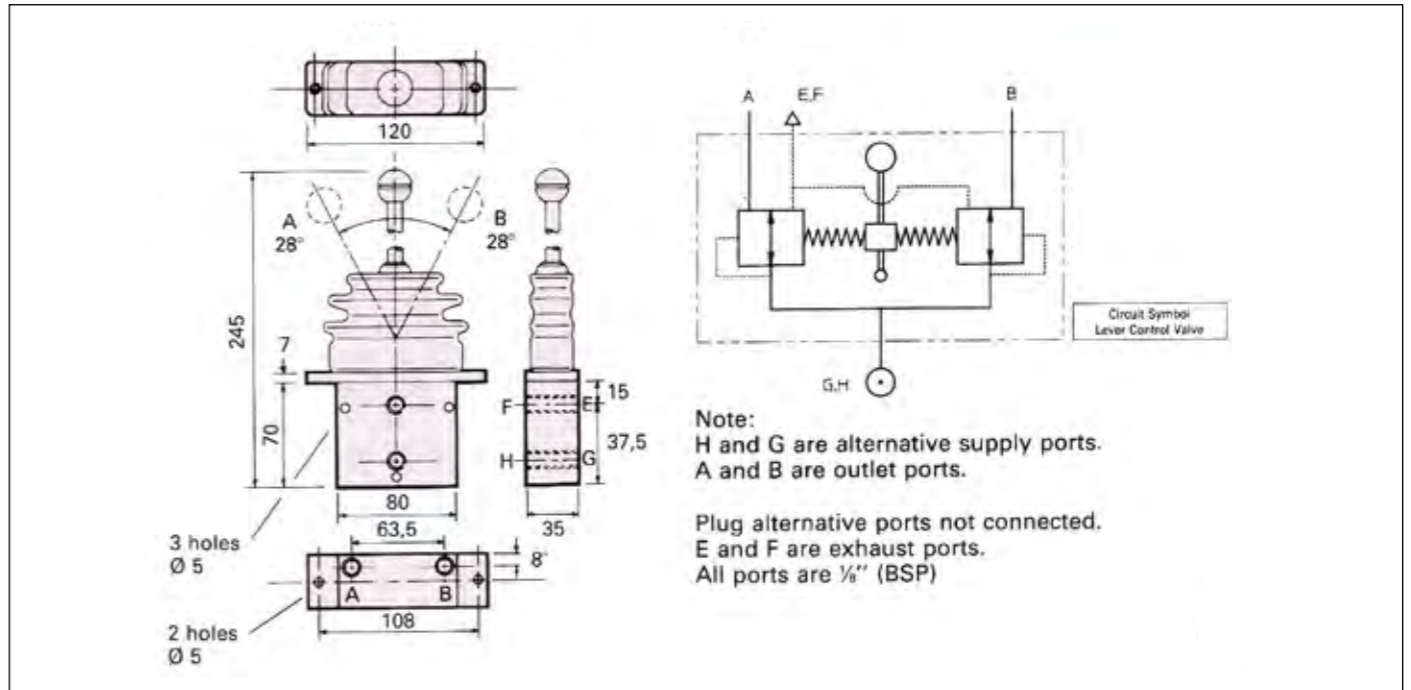
MARINE VERSIONS AVAILABLE. PC2M, PC4M OR PC6M



PENDANT CONTROLS



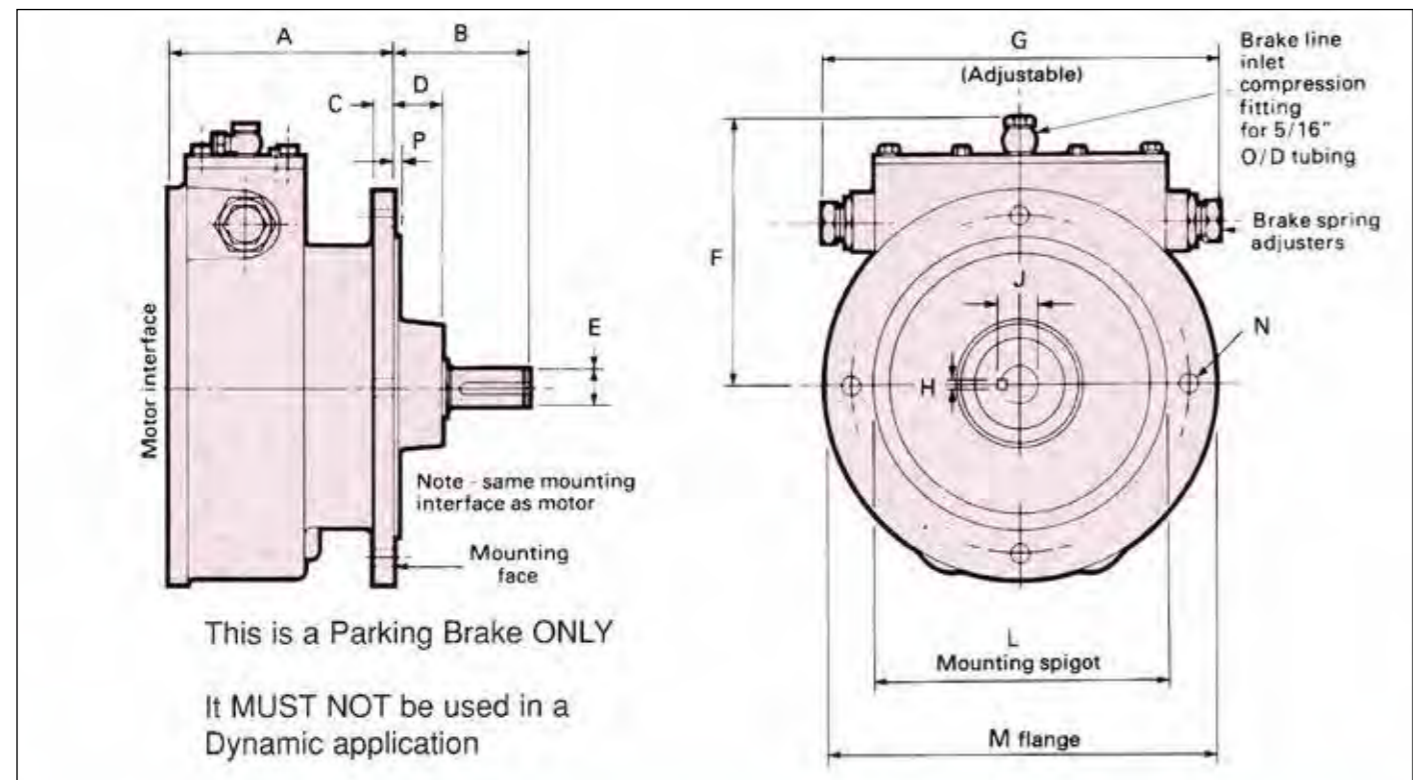
LEVER CONTROL (LC2) MARINE STYLE (LC2M)



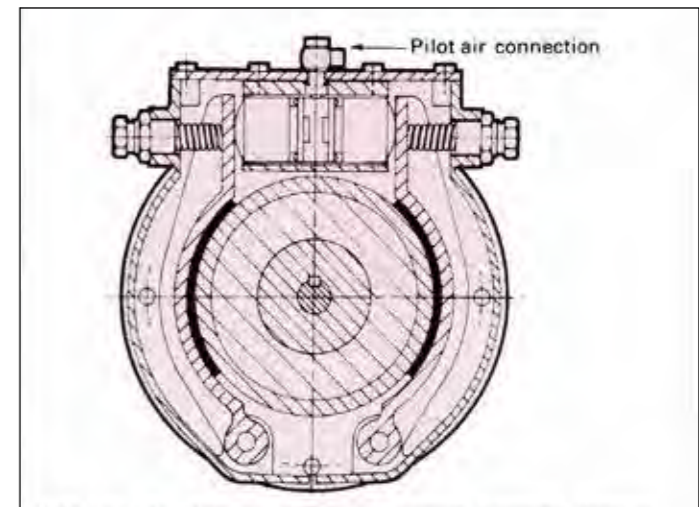
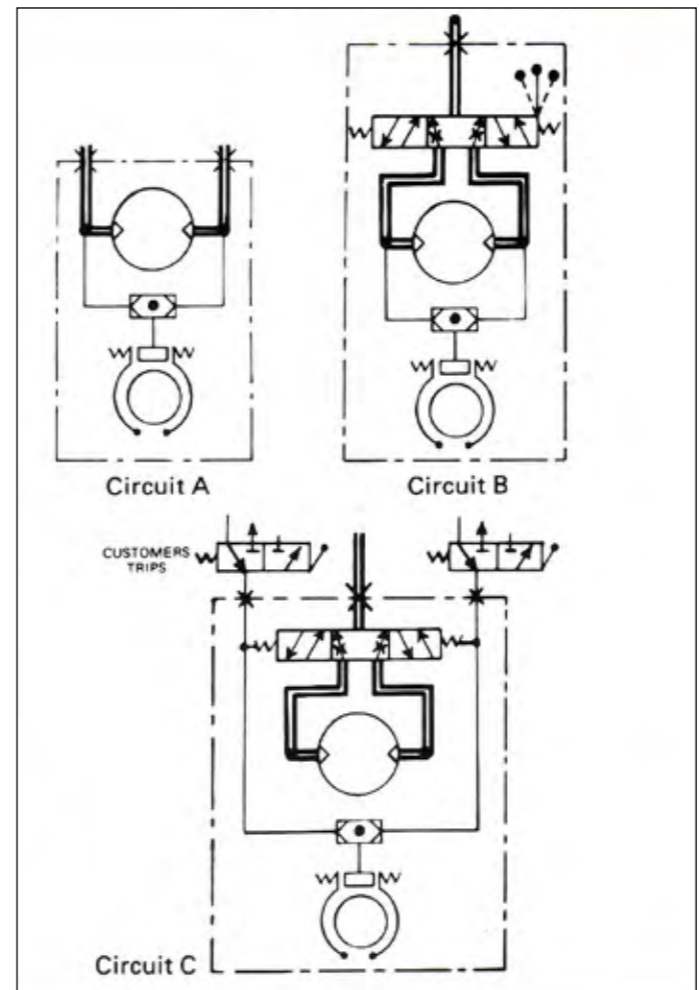
BRAKE INSTALLATION DETAILS

The brake module bolts directly into the motor mounting face and has exactly the same interface as the motor. As shown on the drawing below, the brake consists of two spring applied shoes pressed against a central hub. These shoes are released by applying air pressure to the cylinder/piston assembly. The brake torque can be varied

by means of two spring adjusters but it is normally set that a pilot pressure of 4.1 (60 p.s.i.) will fully release it. Pressures below this level will progressively reduce the braking torque available. The brakes are set at the factory but it may be necessary to make adjustments on site to suit the individual application.



| Motors | A | B | C | D | E | F | G | P |
|------------|-----|-----|----|----|----------------|-----|-----|-----|
| 050 | 100 | 66 | 8 | 30 | 14,01 14,00 | 126 | 210 | 3,6 |
| 110 | 100 | 66 | 8 | 30 | 14,01 14,00 | 126 | 210 | 3,6 |
| 210 | 115 | 93 | 11 | 46 | 19,01 18,99 | 129 | 235 | 4,0 |
| 310 | 140 | 104 | 15 | 46 | 22,01 21,99 | 160 | 270 | 4,0 |
| 410 | 175 | 104 | 16 | 37 | 28,01 28,00 | 206 | 340 | 4,0 |
| 510 | 172 | 96 | 16 | 16 | 35,02 35,00 | 268 | 450 | 5,1 |
| 610 | 172 | 96 | 16 | 16 | 35,02 35,00 | 268 | 450 | 5,1 |



CIRCUIT (A) - Applies to braked motors supplied without control valving. The unit will be fitted with a shuttle valve to allow brake operation for dual rotation.

CIRCUIT (B) - Units supplied with hand (HCV) controlled reversible valves. If trips are required they must be of the mechanical style (customers supply).

CIRCUIT (C) - Units supplied with remotely controlled valves. When override trips are required, they must be superimposed in the signal line close to the motor unit and be of the 3 way style. (Signal lines cut and exhausted in the tripped position).

| H | J | L | M | N-MOUNTING HOLES | | | |
|-------|-------|--------|-----|------------------|----|--------|-------------------|
| | | | | NO. | Ø | P.C.D. | BOLT LENGHT (MAX) |
| 5,00 | 16,00 | 130,00 | 188 | 4 | 11 | 165 | 28 |
| 4,97 | 15,87 | 129,94 | | | | | |
| 5,00 | 16,00 | 130,00 | 188 | 4 | 11 | 165 | 28 |
| 4,97 | 15,87 | 129,94 | | | | | |
| 6,00 | 21,50 | 180,00 | 254 | 4 | 14 | 215 | 25 |
| 5,97 | 21,27 | 179,94 | | | | | |
| 8,00 | 31,01 | 230,00 | 305 | 4 | 14 | 265 | 40 |
| 7,94 | 37,71 | 229,93 | | | | | |
| 10,00 | 38,00 | 310,00 | 385 | 5 | 18 | 350 | 35 |
| 9,96 | 37,71 | 309,92 | | | | | |
| 10,00 | 38,00 | 310,00 | 385 | 5 | 18 | 350 | 35 |
| 9,96 | 37,71 | 309,92 | | | | | |



COMPACT PISTON AIR MOTORS

WORKING PRINCIPLE

The compact radial piston air motor operates without rod or crank shaft. The radial arranged pistons travel along a curve and are controlled by the centre.

The static control shaft supplies the driving pistons with the necessary air. Air supply and release openings along the static shaft are periodically opened and closed by the rotation of the rotor to pressurize or release the pistons in an appropriate sequence.

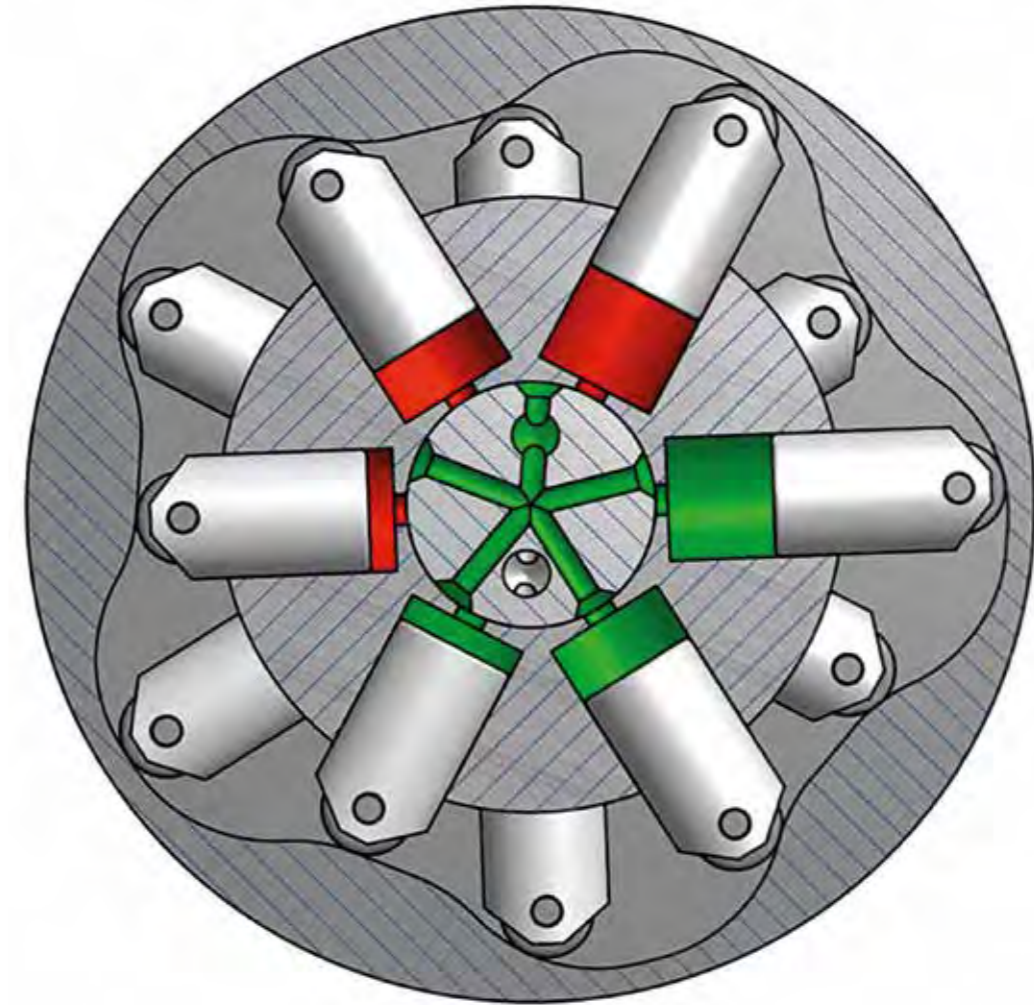
Six of the twelve driving pistons are actively contributing to the torque at any moment. Once reaching the highest point on the curve, the air driving the piston is released by the control unit and the piston is forced into its lowermost position. This operating principle is equivalent with the one of a simple cylinder.

The compact piston air motor's high torque is due to the power transmission of the pistons along the large external diameter of the curve. The friction connected with the travel along the curve is low due to the installation of rollers at the tip of the pistons. This results in high lifetime of the drive.

Noise emissions were determined according to the noise measuring standards ISO 11202 and within the frame of the ISO 11200 standards. The measured noise levels were below 78 dB for the RM012 and RM024. The pneumatic drive thus fulfils the noise regulations without requirement for ear protection devices.

We recommend to operate the drive within a speed range of 50 - 350 R.P.M. shaft dimensions can be adapted according to the specific requirements of the client. Dimensions in millimetres.

CROSS SECTION COMPACT PISTON AIR MOTOR



WHY CHOOSE A COMPACT PISTON AIR MOTOR?

Within the air motor family the compact piston air motor takes a special place, because this motor is often used in applications where other air motors can not be used.

- High torque at low speed of rotation. Therefore most of the times a gearbox is not necessary.
- Highest torque at start-up. The compact piston air motor does not have a variable starting torque. This always guarantees the rated starting torque.
- Very low air consumption due the use of pistons, low internal friction and low internal air leakage.
- Low noise emission that fulfils the noise regulations without requiring ear protection.
- The compact piston air motors can be supplied directly coupled to a wide range of gearboxes such as planetary, helical bevel helical and worm gears.
- Due to the low speed of rotation the compact piston air motor is especially suitable for applications in which the air motor is constantly in stall.
- Compact construction made out of aluminium with steel shaft. Also available in a plastic housing with a stainless steel shaft.
- Integrated brake function. When both the inlet and outlet port are pressurised, the motor functions as a brake with a torque that is 50% of the starting torque.
- Able to run without lubrication. The compact piston air motors can operate with a minimum of lubrication. Complete oil-less operation is possible in certain applications. Consult GLOBE Airmotors BV or your local distributor for more information.

ADVANTAGES

Air motors offer a unique form of drive and incorporate advantages not found in other prime movers.

- Simple and inexpensive variable speed and torque control with a flow control valve and/or pressure regulator.
- Intrinsically safe for explosion proof environments. The compact piston air motors are certified according to the European explosion directive ATEX II cat. 2 G&D T5.
- Air motors can be stalled indefinitely under load. They will not overheat or burn out.
- Long lifetime because of low friction and a minimum of parts that are exposed to wear.
- Controllable over a wide speed range.
- Instantly reversible, operated with a simple control valve.
- Resistant to warm, dirty and damp conditions.
- No shock start up which improves the life span of the equipment.
- 12 pistons (7 pistons for the RM004) and smooth running.
- Improved design pistons for longer life time.
- Oil free running.
- Silicone free so very useful in mixing applications.
- Available with front flange, which incorporates an extra bearing.
- Small dimensions.
- Special version for food and chemical industry.

AIR SUPPLY**AIR QUALITY**

To insure optimal working conditions for the GLOBE piston air motors, the air supply must be dry, filtered and lubricated. A 5 micron filter or better is recommended. The GLOBE piston air motors should be lubricated sufficiently. Oilless operations are possible in certain applications.

AIR LINE RESTRICTIONS

Air line restrictions on the inlet side of the motor will result in performance loss. Therefore it is important to make sure that the desired air pressure is available at the motor during operation. The pressure reading at the compressor or pressure regulator may be different then the pressure available at the motor. Performance loss can also occur by an exhaust restriction generating back pressure on the outlet side of the motor. An insufficiently sized silencer, valve or coupling is usually the cause.

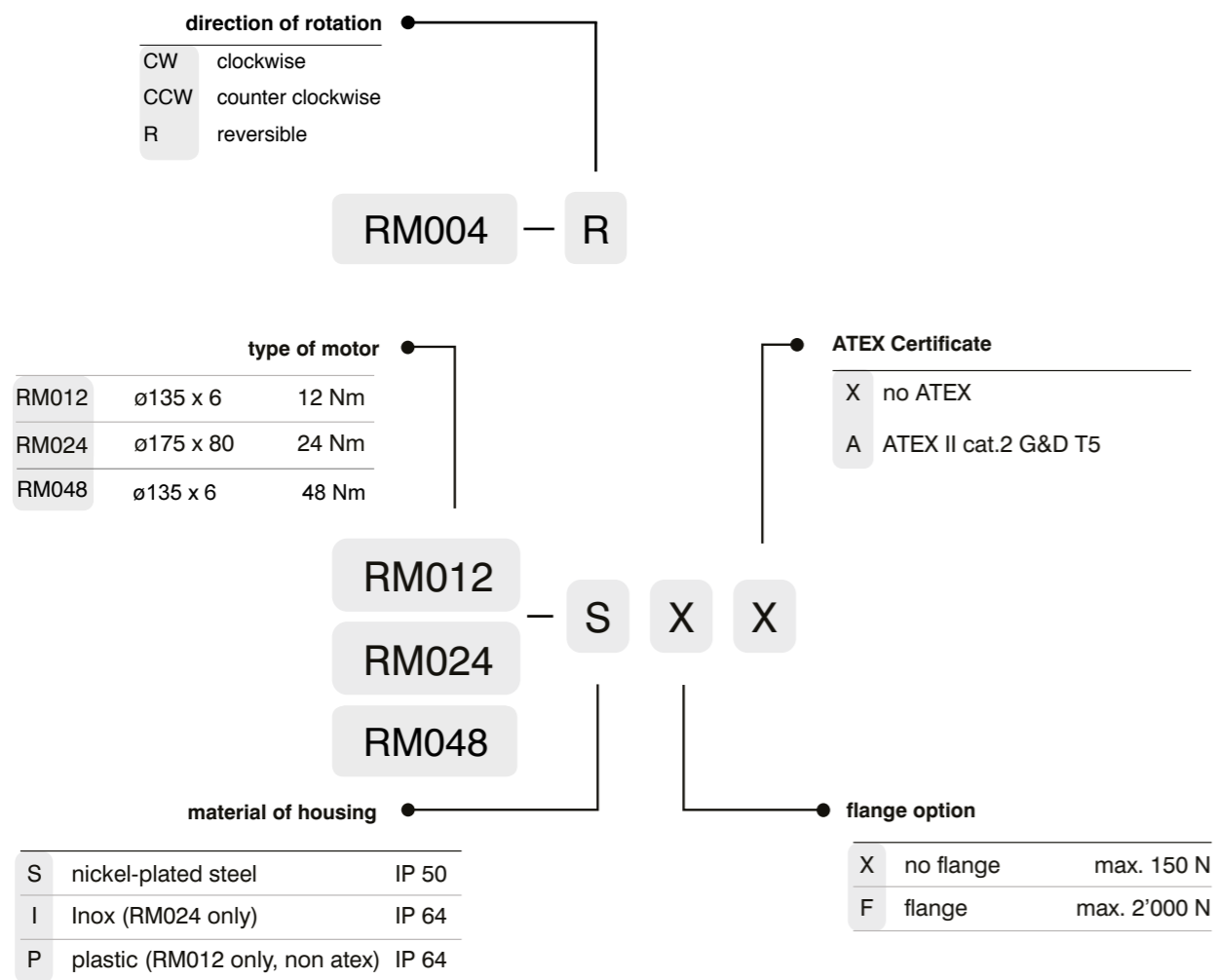
GEARED VANE AIR MOTORS

Although air motors can be adjusted over a wide range of speed and torque, the output characteristics are not always suitable for the application. To achieve the required output speed and torque a gearbox can be coupled directly to the air motor.

GLOBE Airmotors BV has a wide range of gear units such as planetary, helical, beval helical and worm gears in their program. Consult GLOBE Airmotors BV or your local distributor for more detailed information.



ORDERING CODES COMPACT PISTON AIR MOTOR

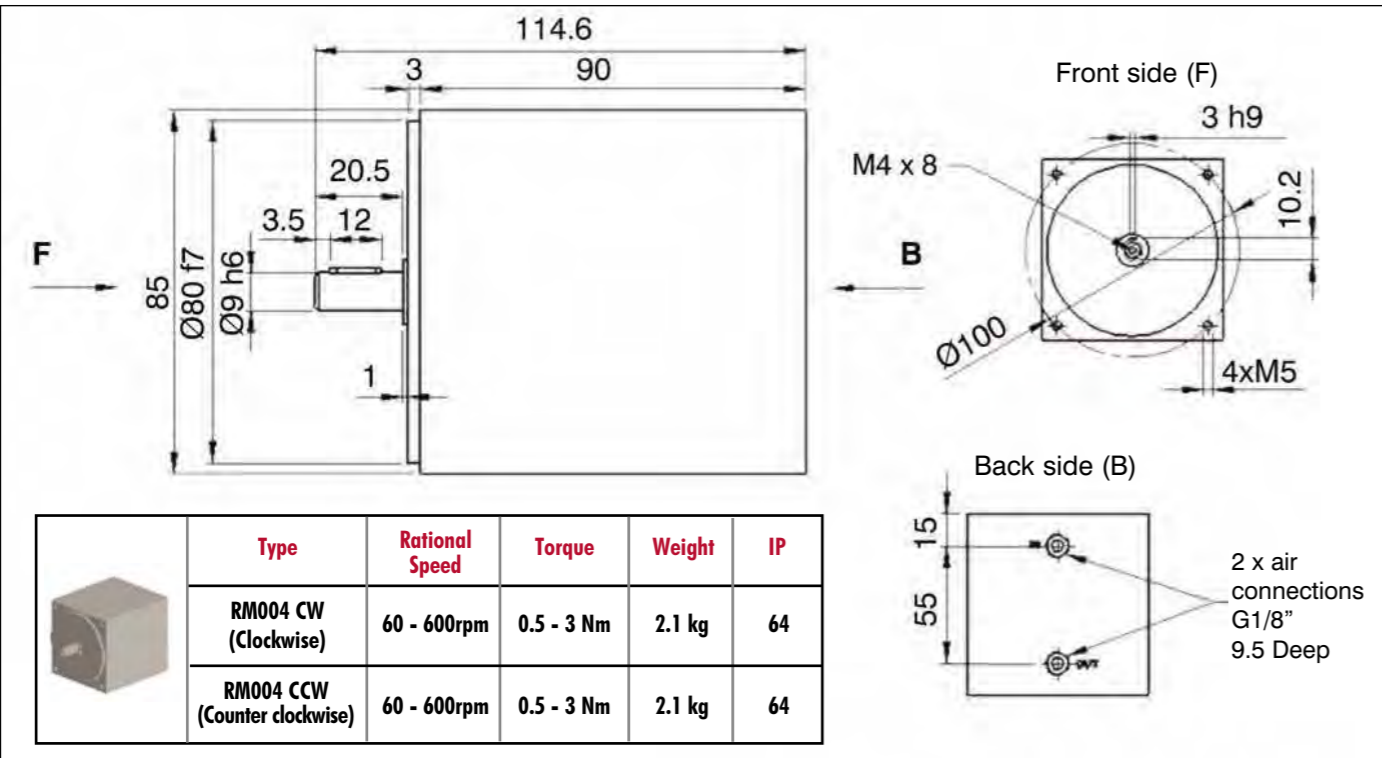


POSSIBLE TYPES

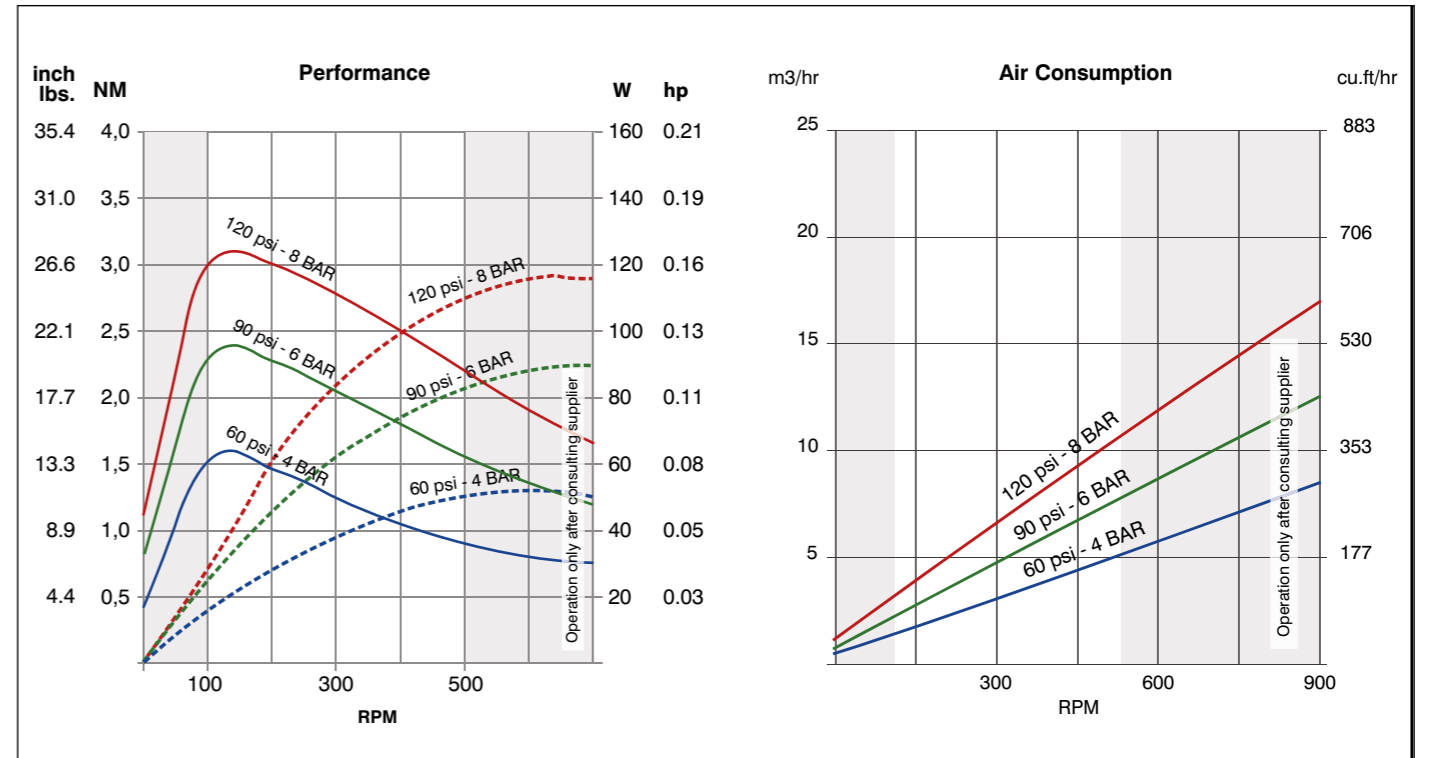
- RM004R / CW / CCW Steel housing
- RM012 / RM024 / RM048 -SXX Steel housing
- RM012 / RM024 / RM048 -SFX Steel housing and flange
- RM012 / RM024 / RM048 -SXA Steel housing ATEX
- RM012 / RM024 / RM048 -SFA Steel housing, flange, ATEX
- RM012 -PXX Plastic housing, water resistant, stainless shaft and covers
- RM012 -PFX Plastic housing, flange with extra bearing, water resistant, stainless shaft and covers
- RM024 / RM048 -IXX Inox housing, water resistant, stainless shaft and covers
- RM024 / RM048 -IFX Inox housing, flange, water resistant, stainless shaft and covers
- RM048 -IXA Stainless steel housing, water resistant, stainless shaft and covers, ATEX
- RM048 -IFA Stainless steel housing, water resistant, stainless shaft and covers, ATEX



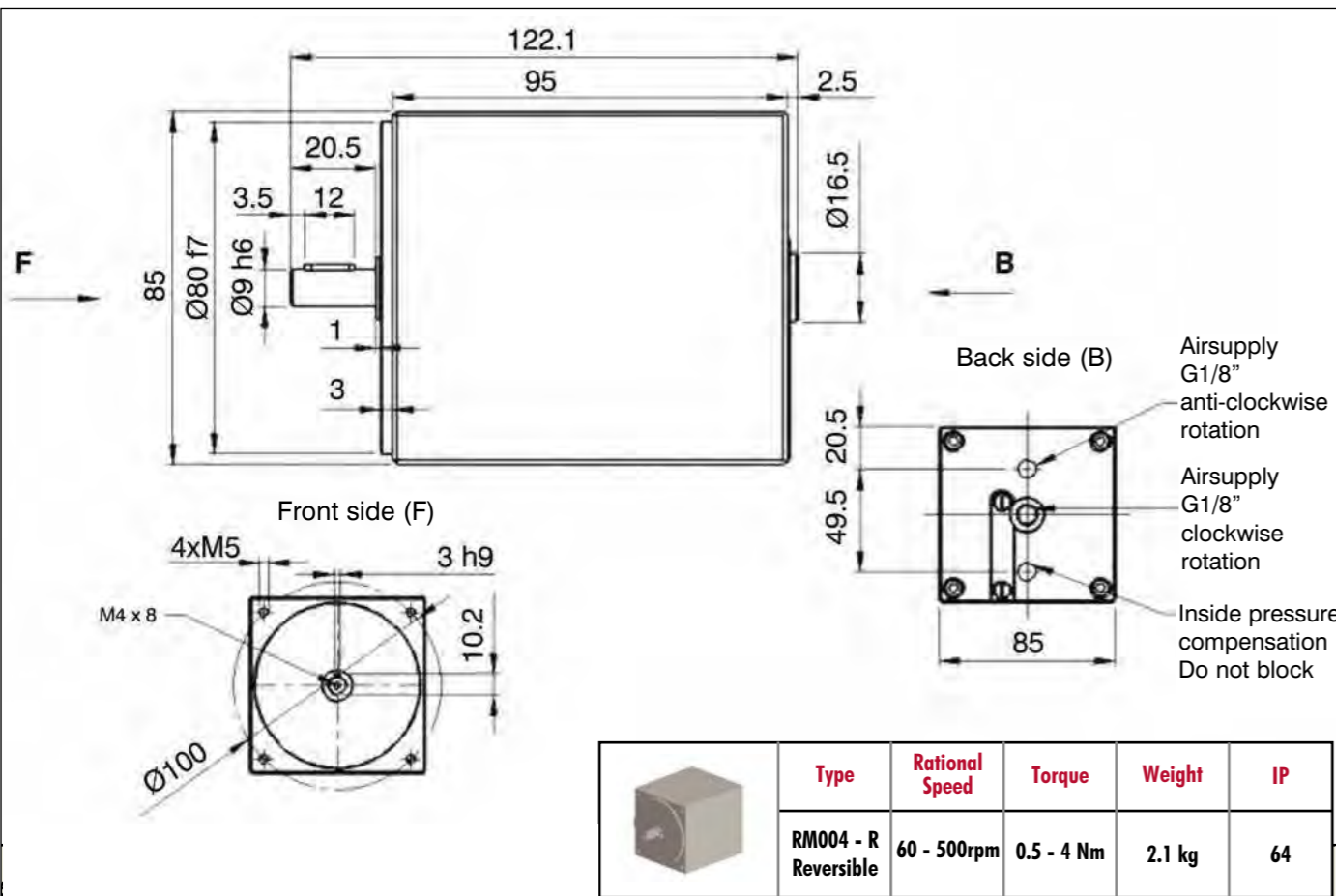
DIMENSIONS RM004 CW, CCW



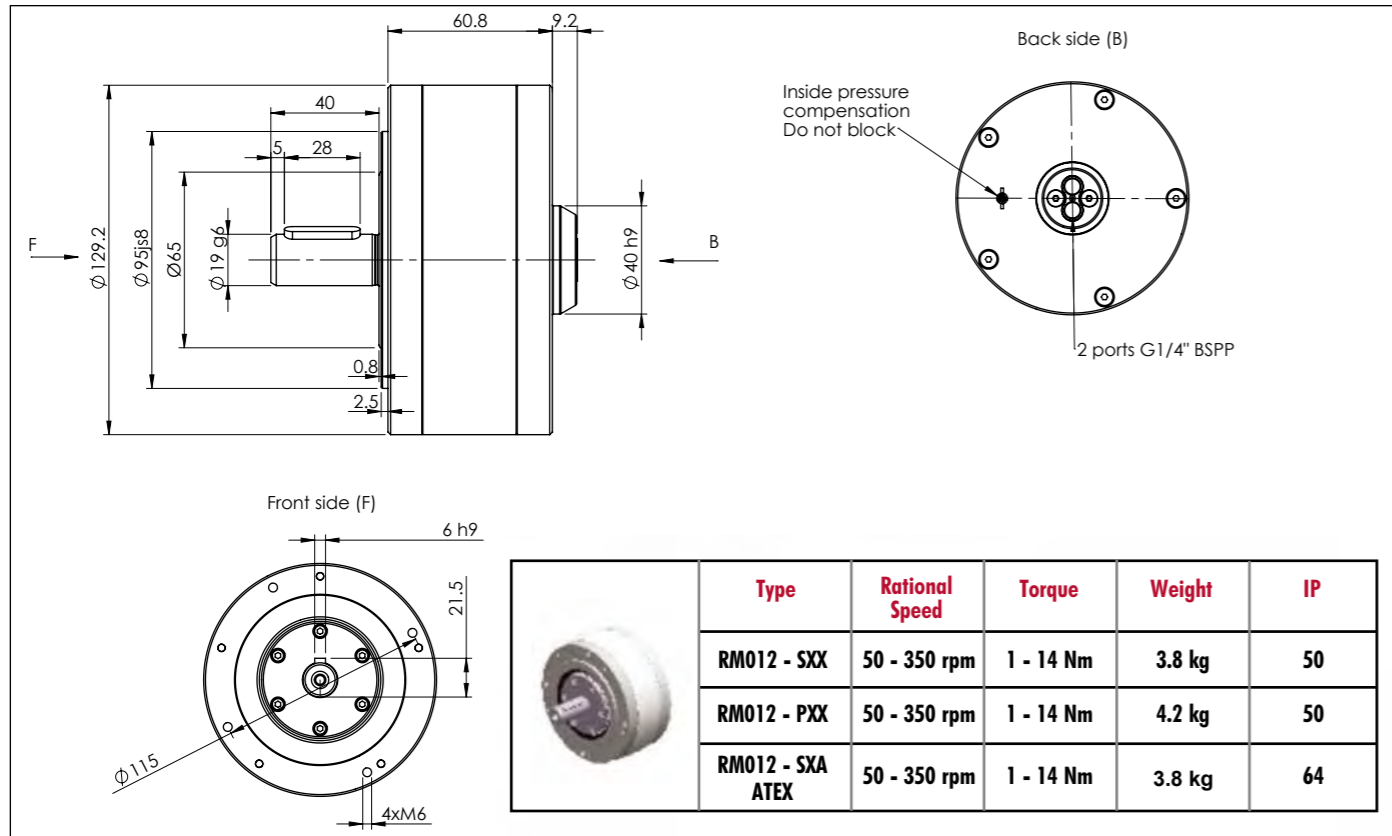
PERFORMANCE RM004



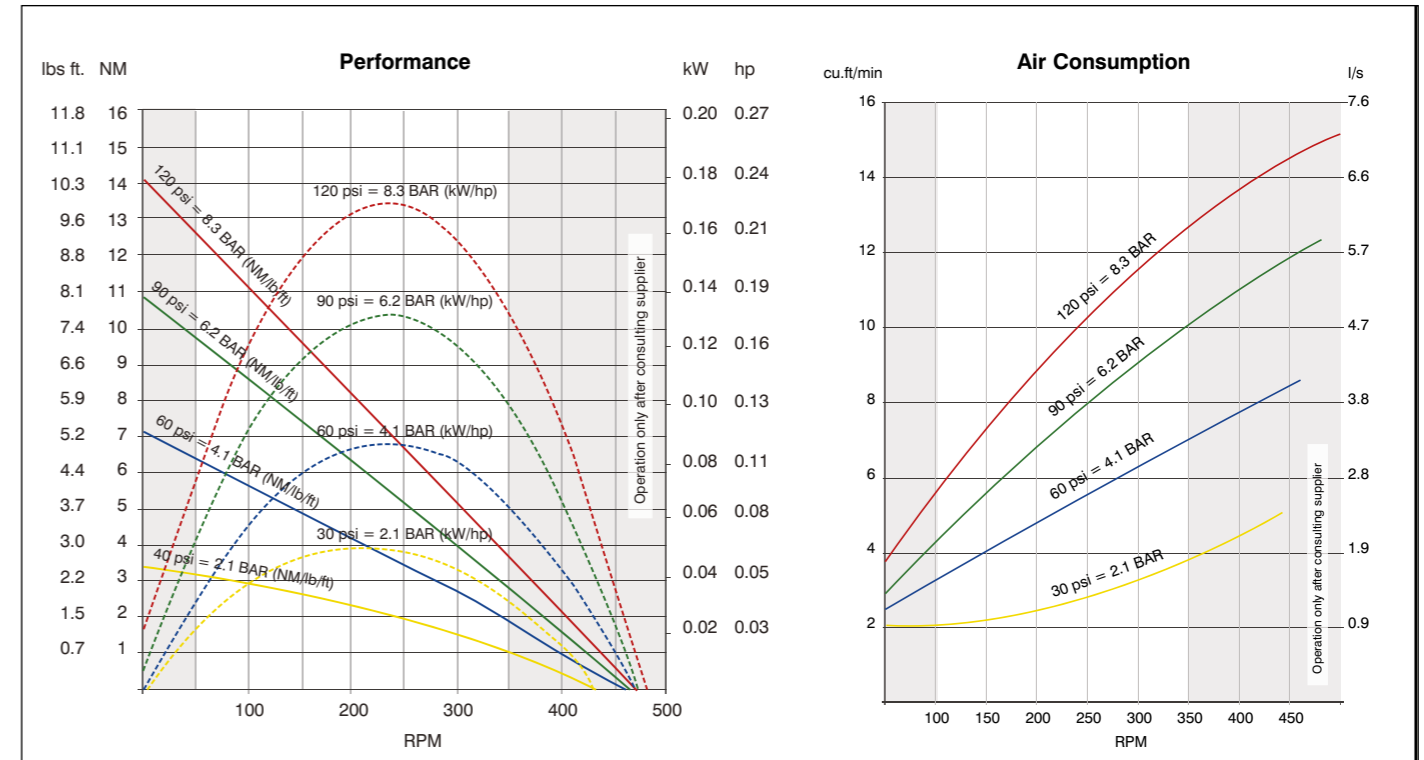
DIMENSIONS RM004 - R REVERSIBLE



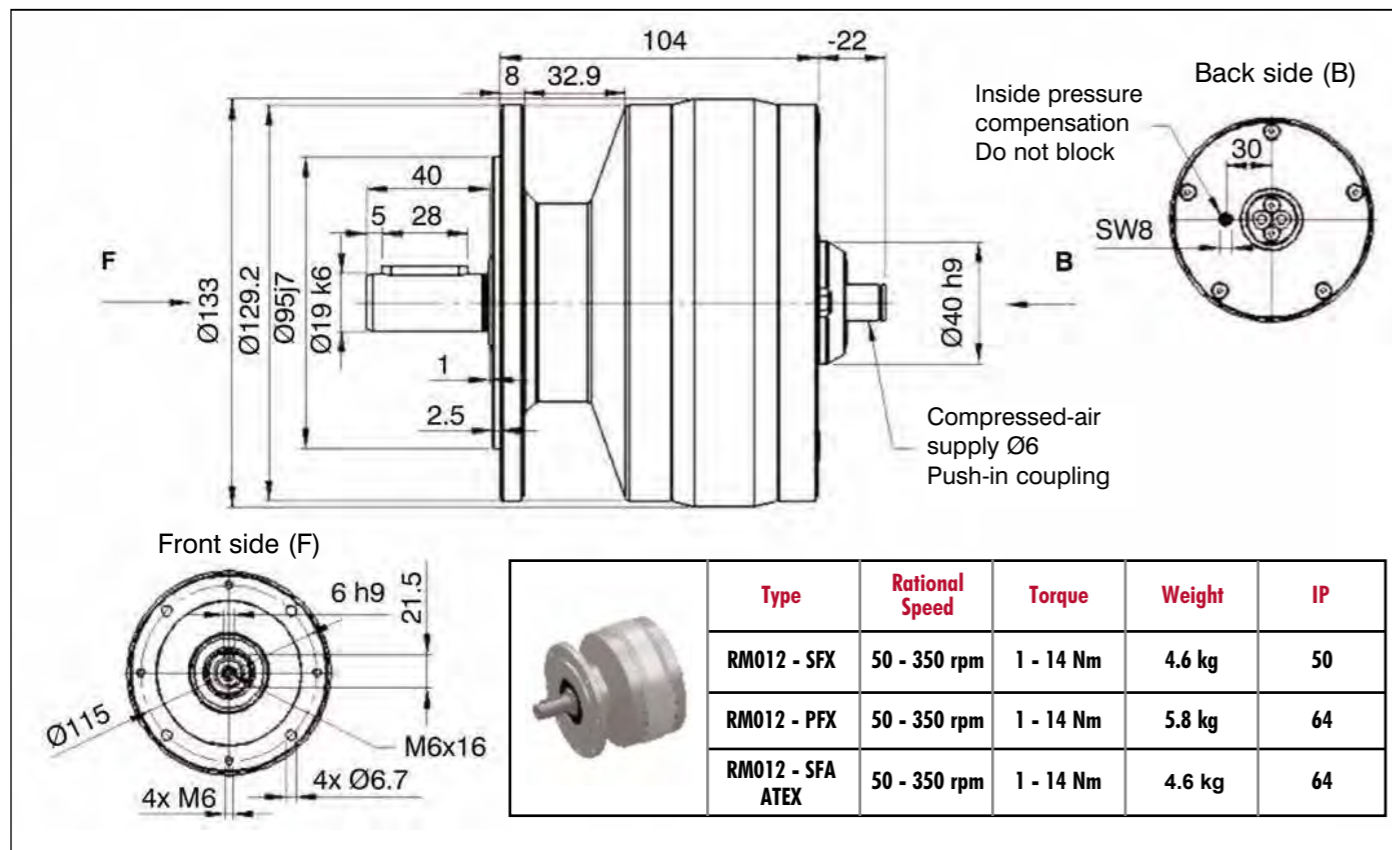
DIMENSIONS RM012 - SXX, PXX, SXA ATEX



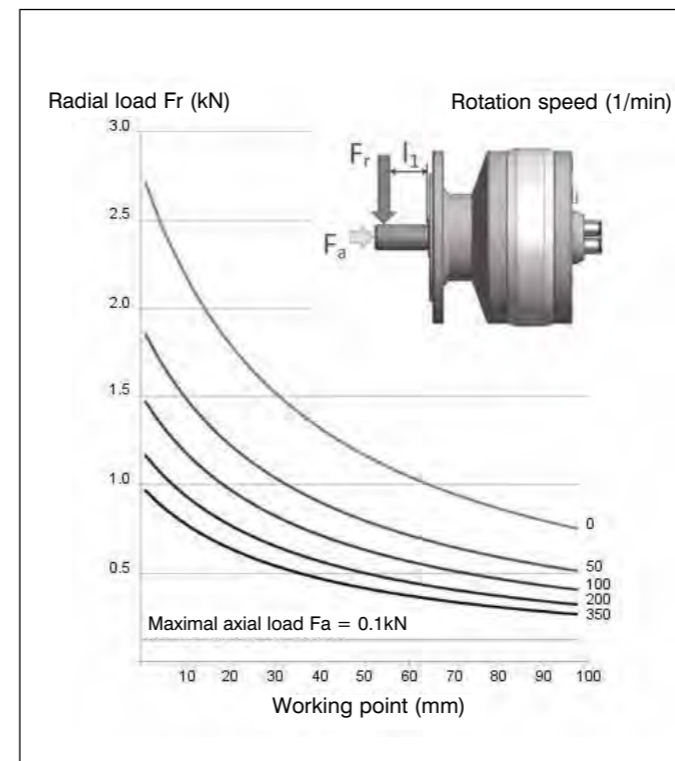
PERFORMANCE RM012



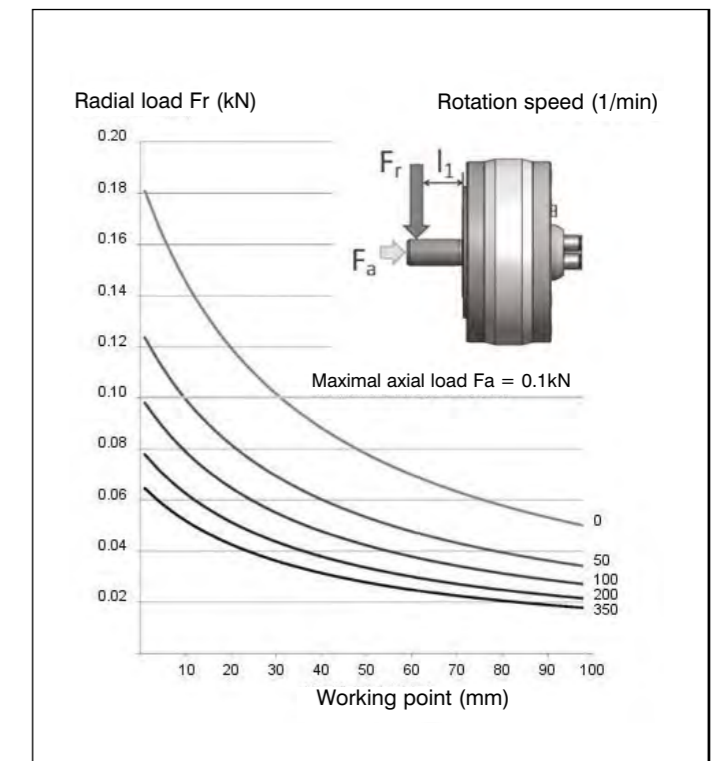
DIMENSIONS RM012 - SFX, PFX, SFA ATEX



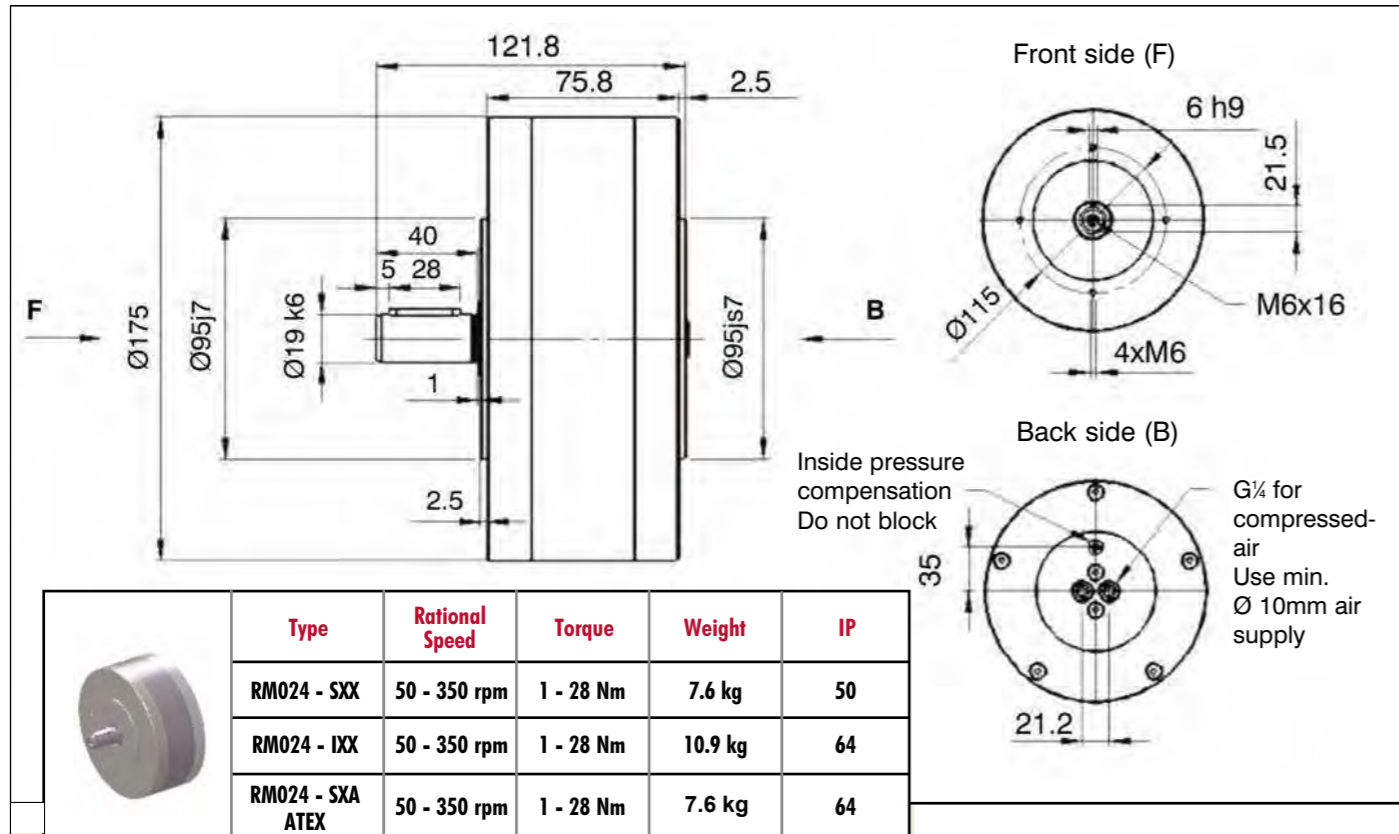
LOAD DIAGRAM FOR RM012 SFA, SFX, PFX



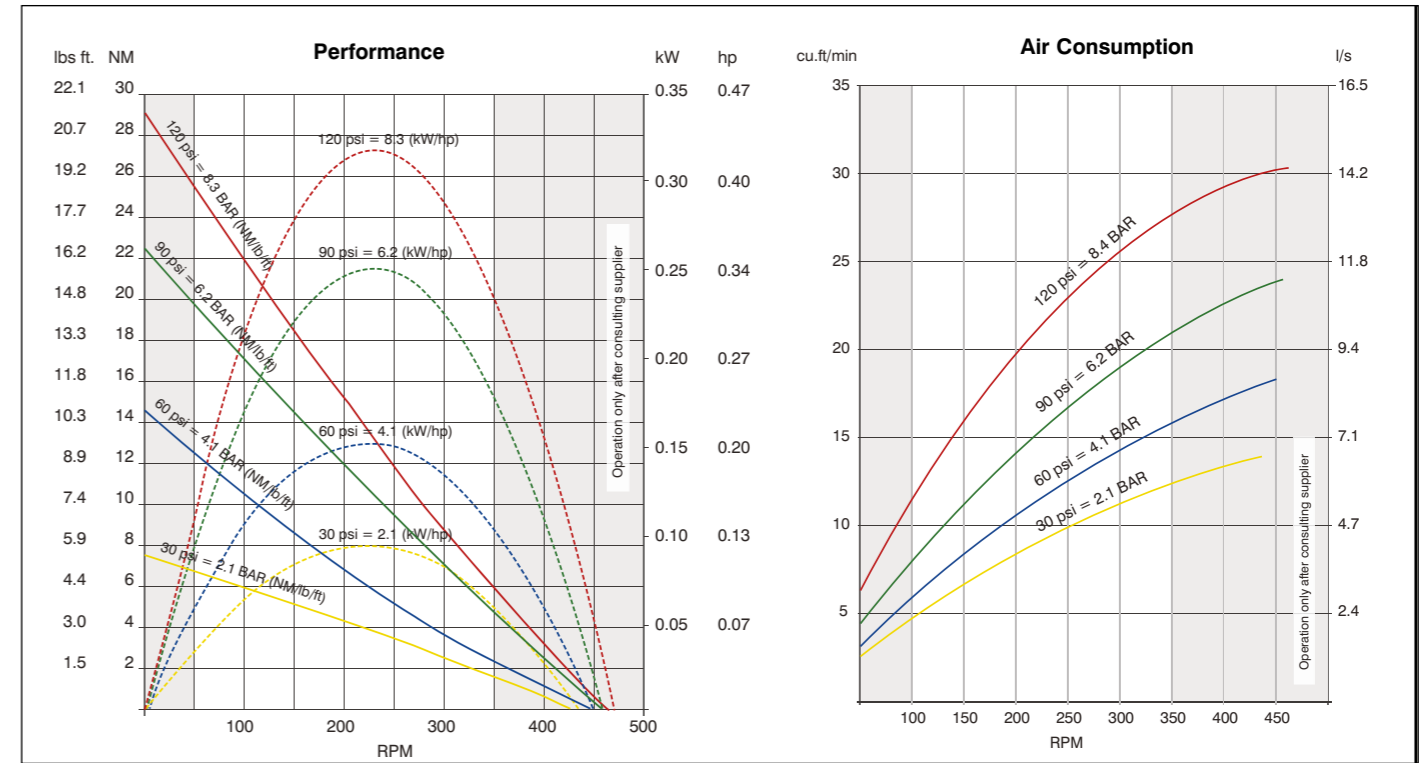
LOAD DIAGRAM FOR RM012 SXX, SXA, PXX



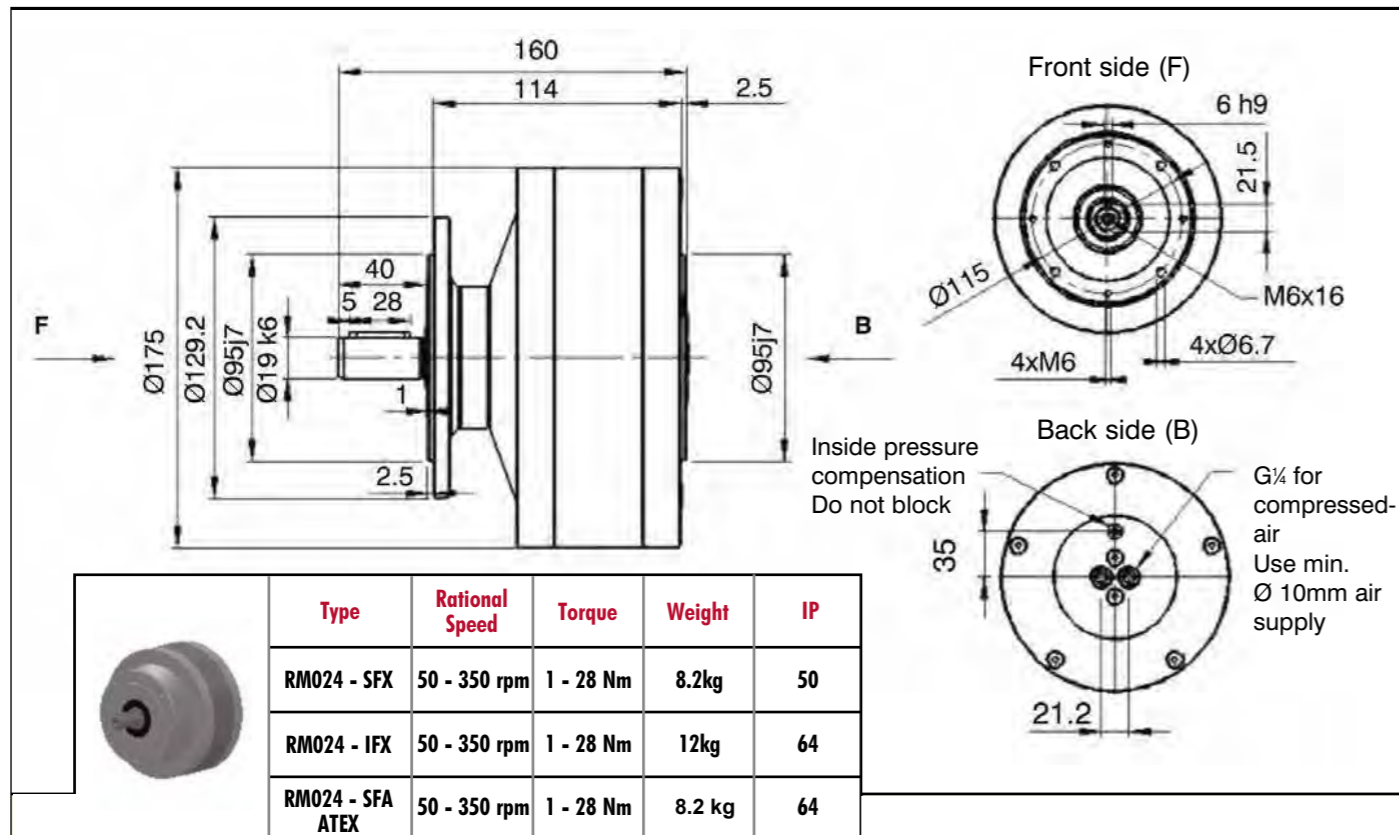
DIMENSIONS RM024 - SXX, IXX, SXA ATEX



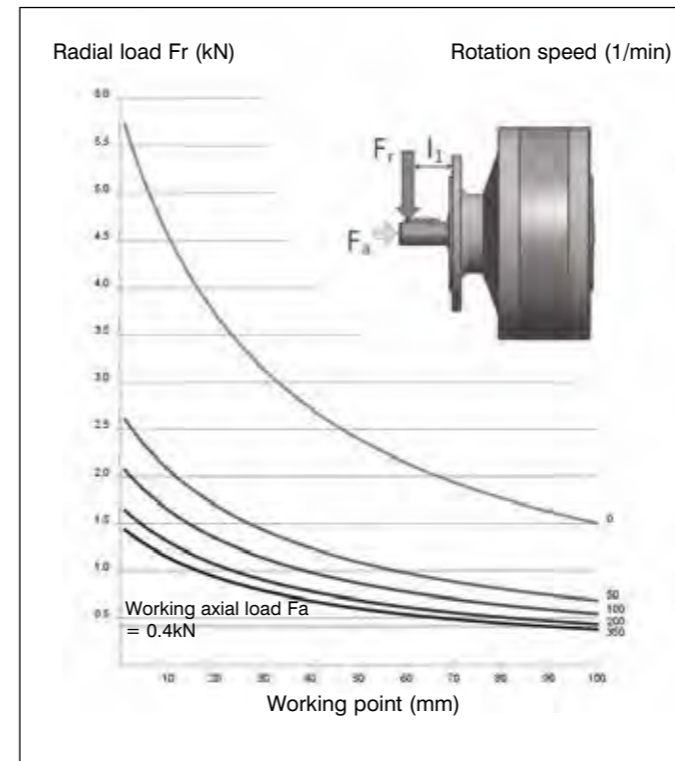
PERFORMANCE RM024



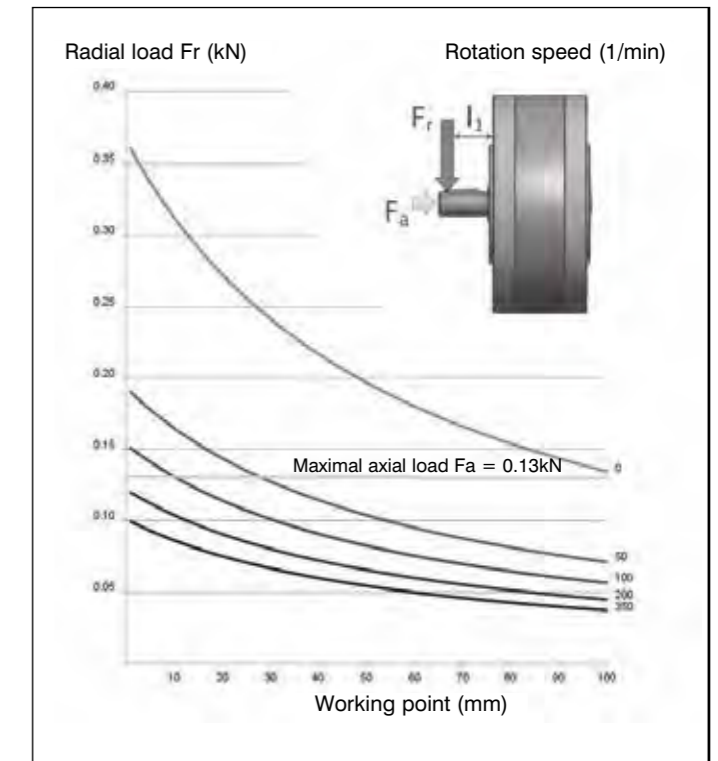
DIMENSIONS RM024 - SFX, IFX, SFA ATEX



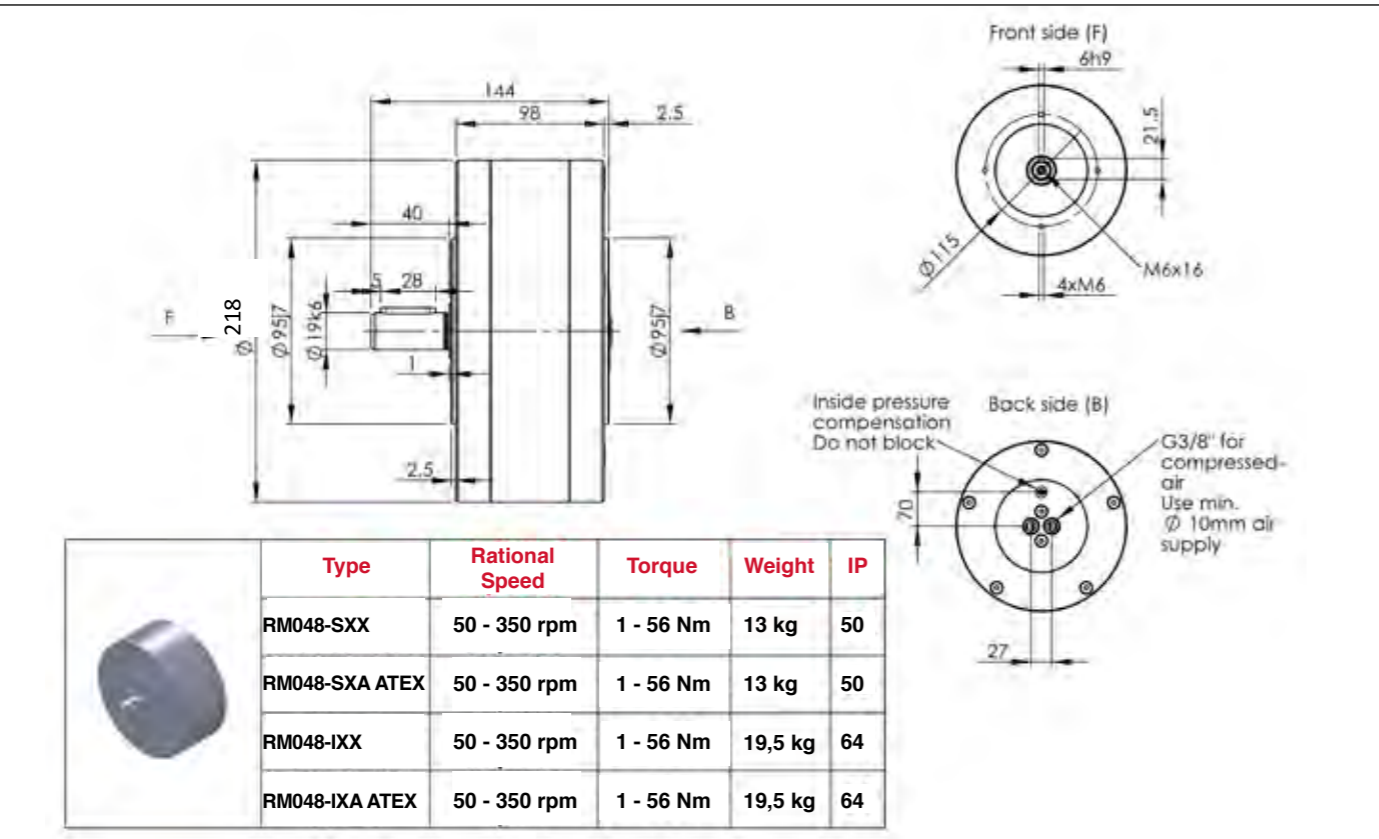
LOAD DIAGRAM FOR RM024 SFX, IFX, SFA



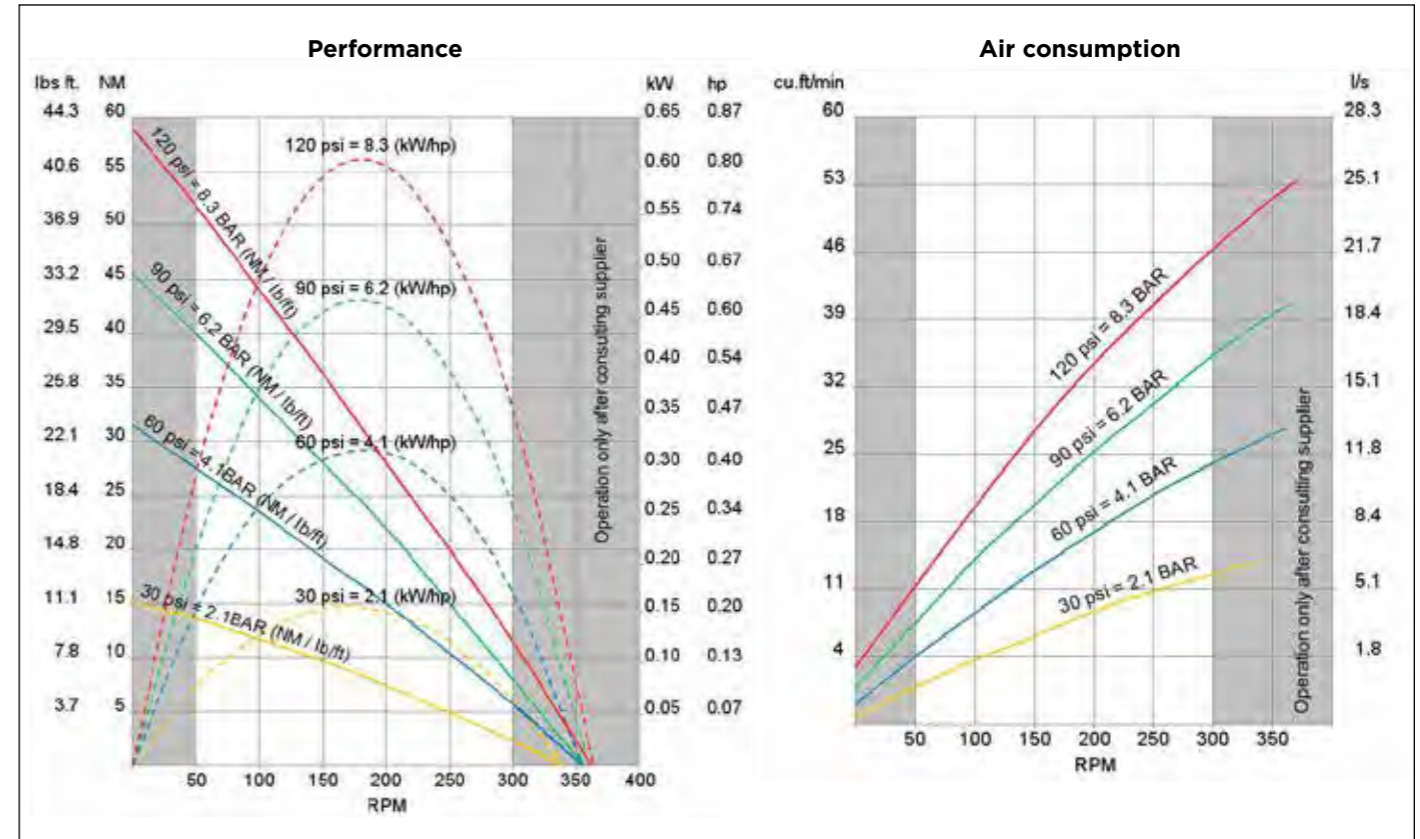
LOAD DIAGRAM FOR RM024 SXX, IXX, SXA



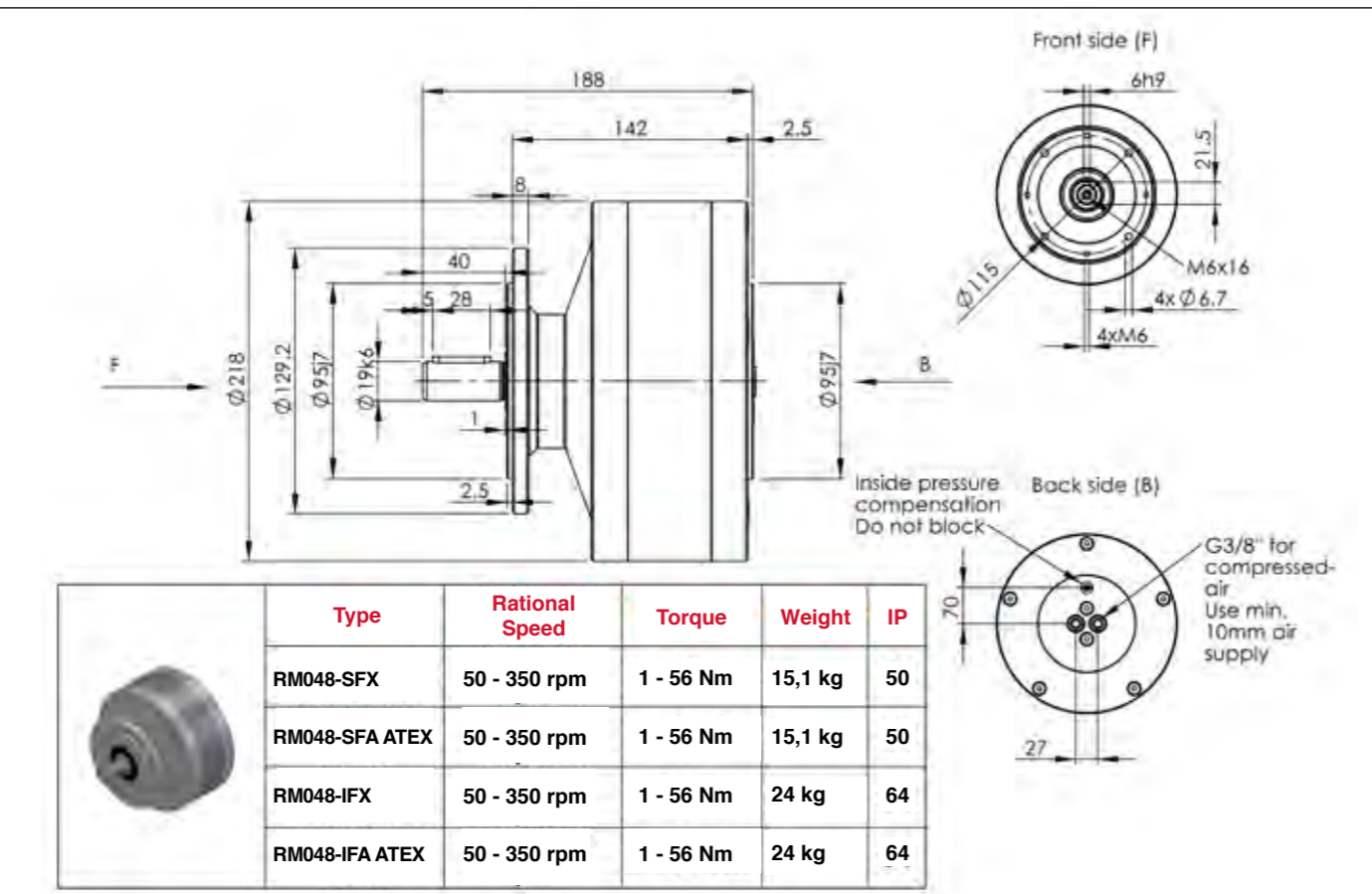
DIMENSIONS RM048 - SXX, SXA ATEX, IXX, IXA ATEX



PERFORMANCE RM048



DIMENSIONS RM048 - SFX, SFA ATEX, IFX, IFA ATEX



GLOBE Airmotors BV has a wide range of pneumatic brakes which can be mounted onto our compact piston

air motors. For more information contact your GLOBE Airmotor supplier.

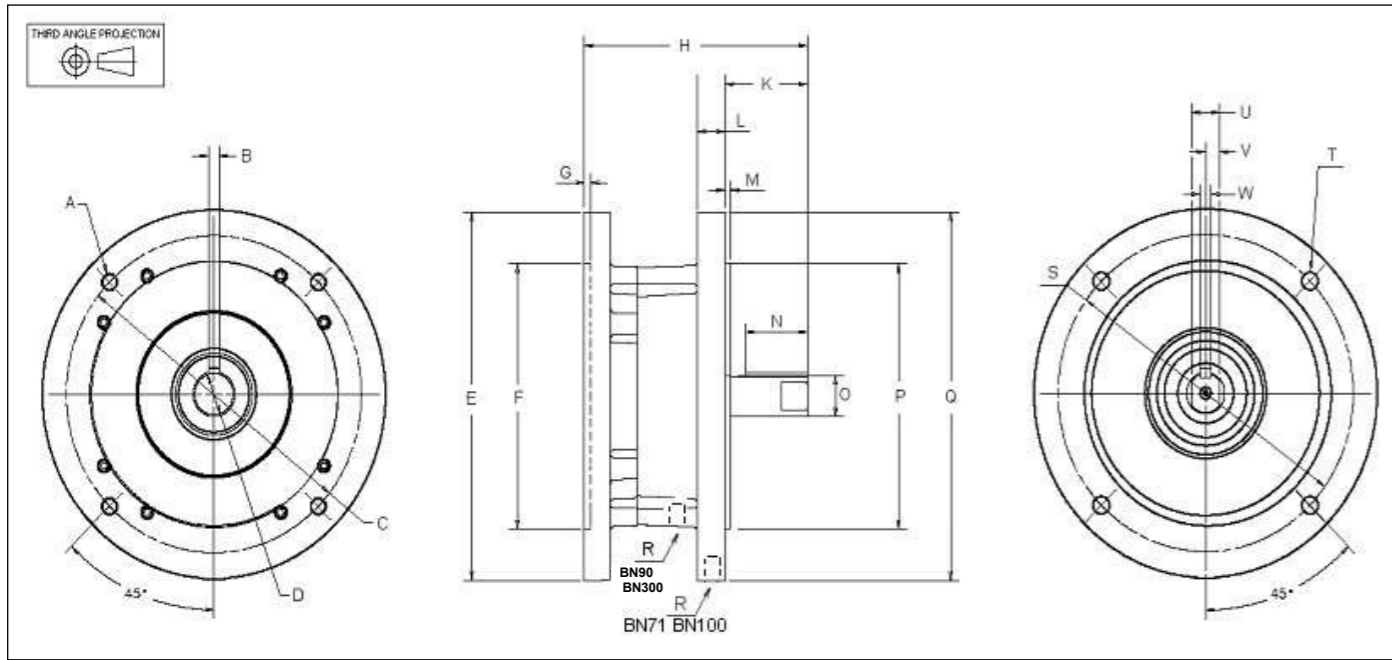


GLOBE BN brakes are fail-safe brakes (spring engaged, air released). They can be used as a static brake and under certain conditions in dynamic applications. The brake module bolts directly onto the motor mounting face with an IEC or NEMA connection flange. The brakes are certified according to the European Explosive Directive ATEX II cat. 2 G&D T3 (in static applications only).

- Easy interchangeable because of independent brake module;
- Cast-iron or steel housing and excellent thermal capacity for use in harsh environments;
- Long life-time;
- Certified according to the European Explosive Directive ATEX II cat. 2 G&D T3.

THE ADVANTAGES OF THE BN BRAKES INCLUDE:

- Brake can be used in dynamic applications;
- Field serviceable;
- Easy flange connection according to IEC and NEMA standards;
- Low maintenance because very few parts are exposed to wear;
- Compact design;

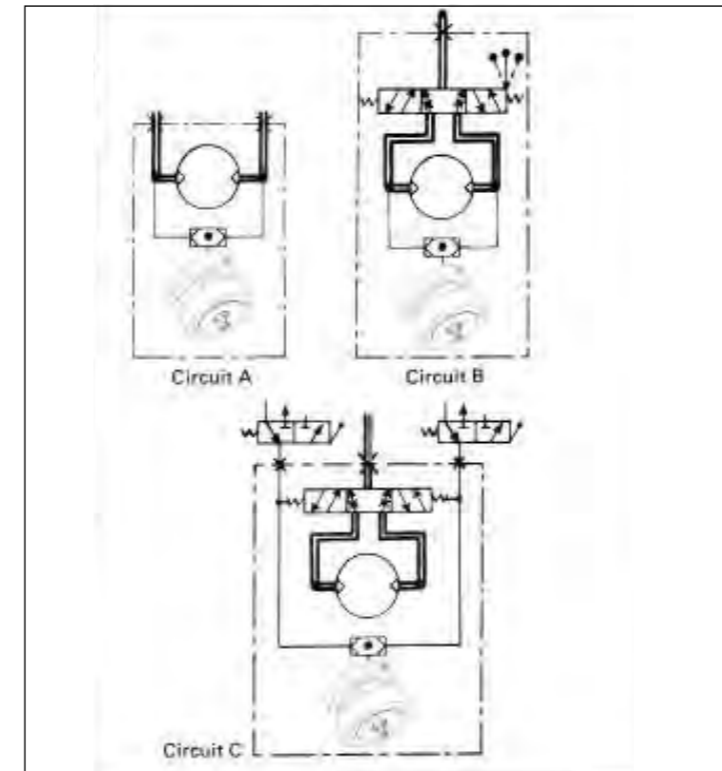


| Brake type | A Ø | B | C Ø | D Ø | E Ø | F Ø | G | H | K | L | M | N | O Ø |
|--------------|------------|--------------|--------------|--------------|--------------|---------------|-------------|-------------|------------|--------------|-------------|------------|--------------|
| BN71 | 10 (0.39") | 5 (0.19") | 130 (5.12") | 14h7 (0.55") | 160 (6.30") | 110h7 (4.33") | 3.5 (0.14") | 137 (5.39") | 30 (1.18") | 44.6 (1.76") | 2.3 (0.09") | 25 (0.98") | 14h7 (0.55") |
| BN90 | M10 | 8 (0.31") | 165 (6.49") | 24h7 (0.94") | 200 (7.87") | 130h7 (5.12") | 5 (0.19") | 195 (7.67") | 50 (1.97") | 13 (0.51") | 3.5 (0.14") | 45 (1.77") | 24h7 (0.94") |
| BN100 | M12 | 8 (0.31") | 215 (8.46") | 28h7 (1.10") | 250 (9.84") | 180h7 (7.08") | 5 (0.19") | 163 (6.41") | 60 (2.36") | 19 (0.75") | 4 (0.16") | 55 (2.16") | 28h7 (1.10") |
| BN300 | M14 | 10h9 (0.39") | 265 (10.43") | 38h7 (1.49") | 300 (11.81") | 230h7 (9.05") | 4 (0.16") | 234 (9.21") | 79 (3.11") | - | 4 (0.16") | 55 (2.16") | 38h7 (1.49") |

| Brake type | P Ø | Q Ø | R | S Ø | T Ø | U | V | W |
|--------------|---------------|--------------|---------|--------------|------------|--------------|--------------|-----------|
| BN71 | 110h7 (4.33") | 160 (6.30") | 1/8 BSP | 130 (5.12") | 10 (0.39") | 11 (0.43") | 5.5 (0.21") | 5 (0.19") |
| BN90 | 130h7 (5.12") | 200 (7.87") | 1/8 BSP | 165 (6.49") | 12 (0.47") | 18 (0.71") | 9 (0.35") | 8 (0.31") |
| BN100 | 180h7 (7.08") | 250 (9.84") | 1/8 BSP | 215 (8.46") | 14 (0.55") | 20.6 (0.81") | 10.3 (0.40") | 8 (0.31") |
| BN300 | 230h7 (9.05") | 300 (11.81") | 1/8 BSP | 265 (10.43") | M14 | 20.6 (0.81") | 10.3 (0.40") | 8 (0.31") |

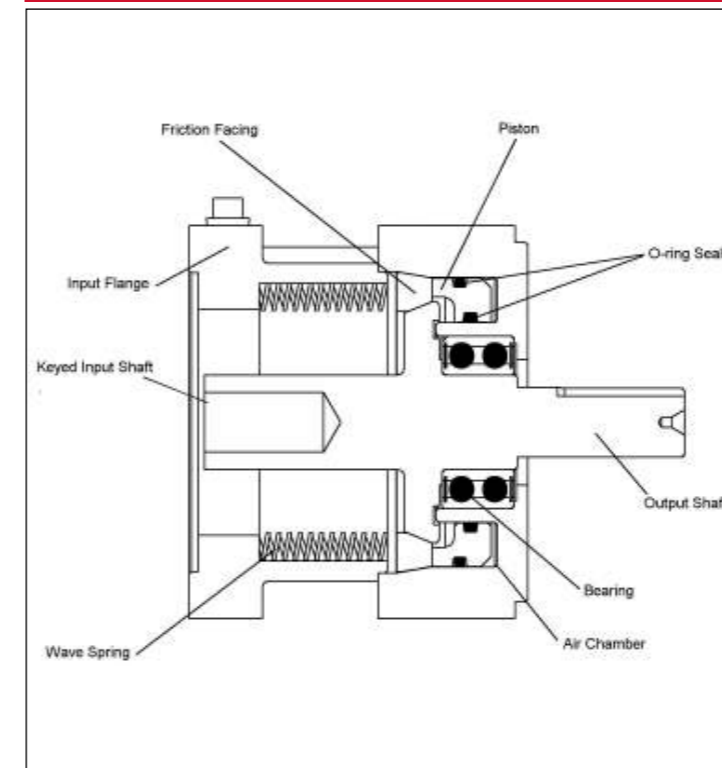
| Brake type | Flange type | Holding torque | Release pressure |
|----------------|-------------|-------------------|------------------|
| BN71 | IEC71 (B5) | 14Nm / 10.3 lb-ft | 3.4 bar / 50 psi |
| BN90 | IEC90 (B5) | 29Nm / 21.4 lb-ft | 3.4 bar / 50 psi |
| BN100 | IEC100 (B5) | 75Nm / 55.3 lb-ft | 3.4 bar / 50 psi |
| BN300-4 | IEC132 (B5) | 300Nm / 221 lb-ft | 2.2 bar / 32 psi |
| BN300-6 | IEC132 (B5) | 450Nm / 332 lb-ft | 3.2 bar / 46 psi |
| BN300-8 | IEC132 (B5) | 600Nm / 442 lb-ft | 4.3 bar / 62 psi |

The brake releases with pneumatic pressure. When the pneumatic pressure drops below a pre-set air pressure the brake engages.

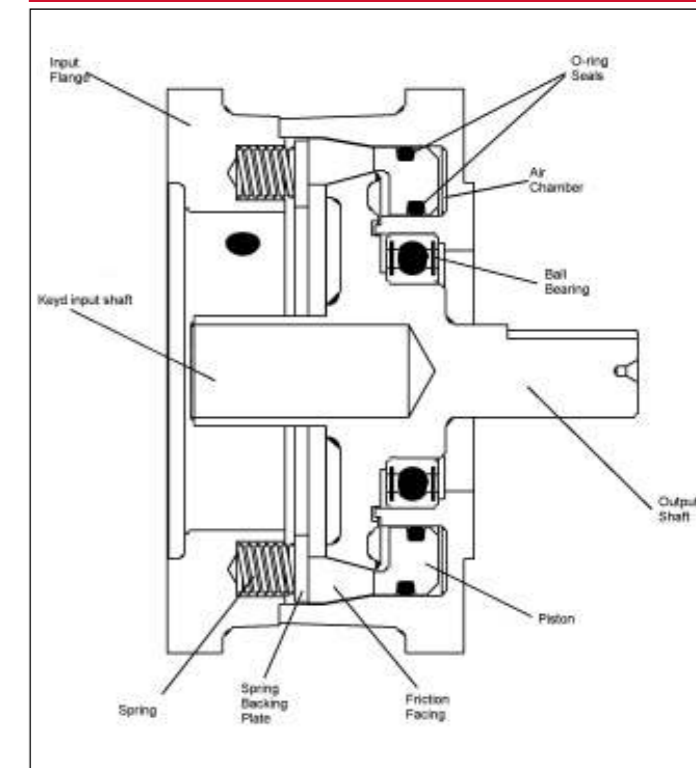


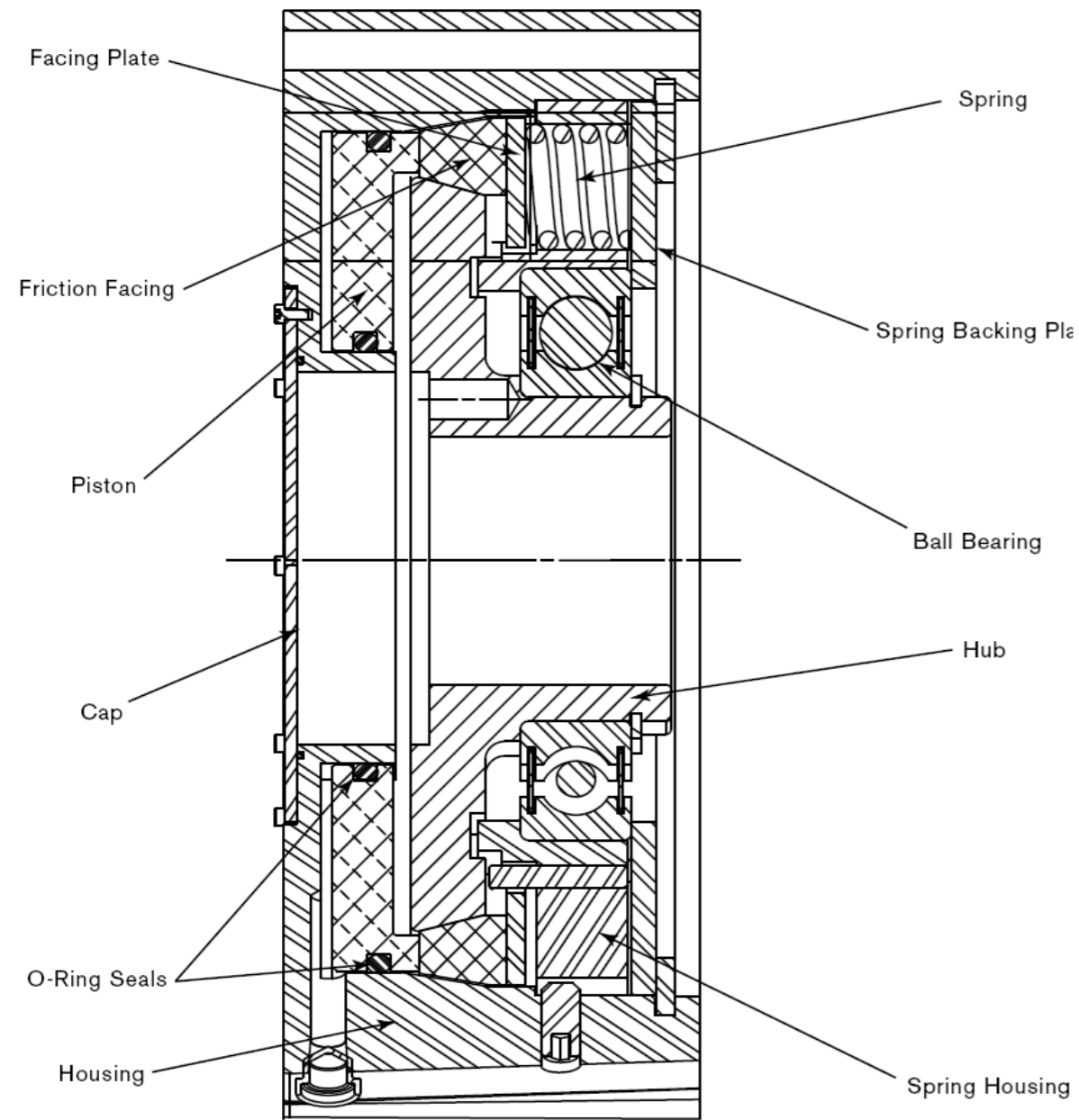
- CIRCUIT (A):** installation without control valve. The shuttle valve allows brake operation for dual rotation.
- CIRCUIT (B):** Installation with hand control valve (HCV). The HCV controls the rotation direction of the output shaft. The shuttle valve allows brake operation for dual rotation.
- CIRCUIT (C):** Installation with remote controlled valve (RCV). The RCV makes it possible to change the rotation direction of the shaft from a distance. The shuttle valve allows brake operation for dual rotation. If you need help or advice on how to correctly instal the piping for the brake release please contact us. Note - please make sure the brake has enough air pressure to release at all time.

SECTION DRAWING GLOBE BN71 AND BN90 BRAKE



SECTION DRAWING GLOBE BN100 BRAKE

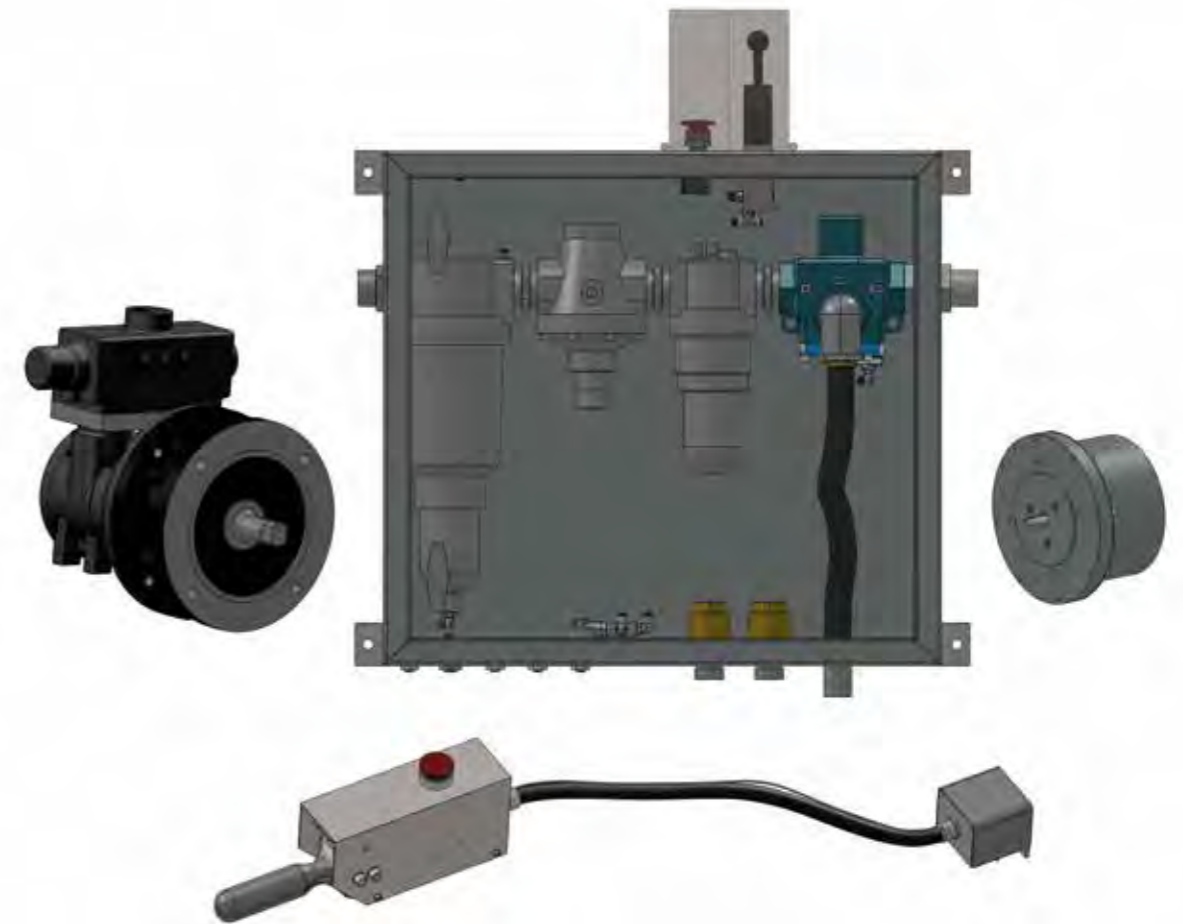




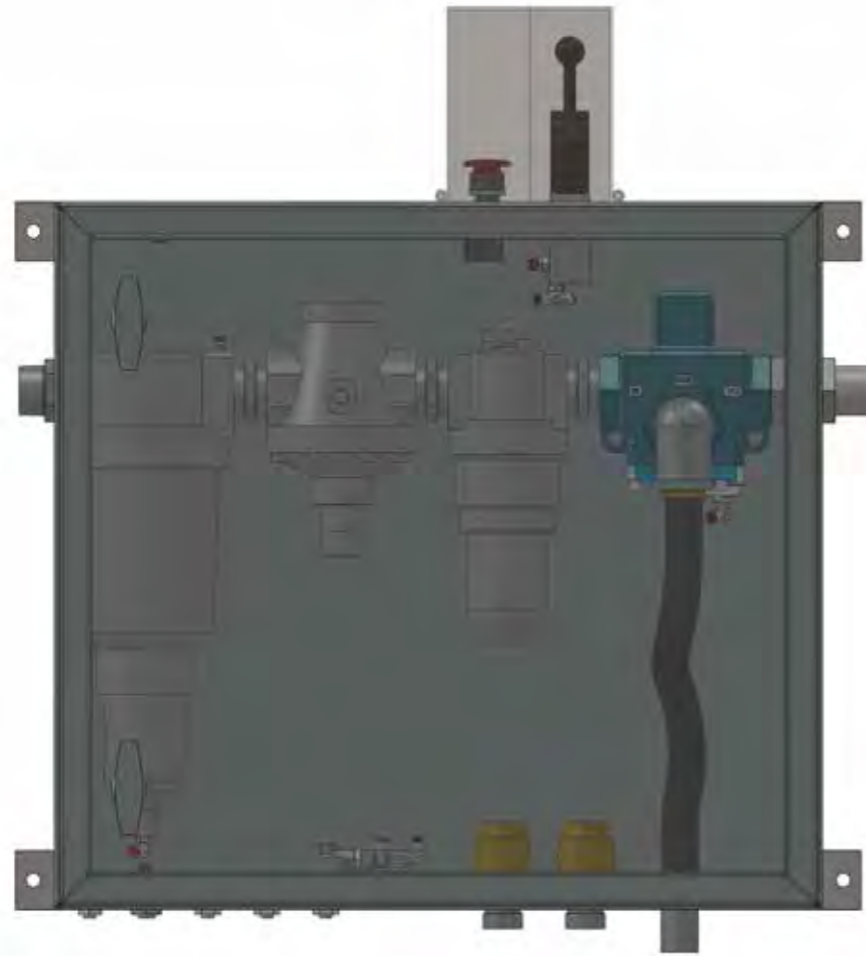
WINCH SYSTEM

Our air motors are used a lot in winching applications. Due to a growing demand for a complete pneumatic control system combined with an air motor drive, GLOBE Airmotors developed the winch system completely certified with ATEX II Cat. 2 G&D T3.

The winch system is a custom build system, which can be build according to the specific demands required for each individual project. The following parts or options can be included in the winch system: Stainless steel control cabinet, limit switch, air motor, pneumatic brake, gearbox, pendant control and a control valve.



STAINLESS STEEL CONTROL CABINET



The stainless steel cabinet is the main control cabinet for the winch system. The cabinet is placed in the main air supply line and is connected to all the other controlling parts for the system. The cabinet includes the following options:

GFRL-FRL UNIT

This is a combination unit consisting off a filter, reducer and lubrication unit. This unit provides the air motor from clean, controllable and lubricated air to ensure the best running conditions for the air motor.

3 WAY 3/2 ON AND OFF VALVE

This valve controls the air going to the air motor. Directly connected to the 3/2 valve, are the on/off buttons and the emergency stop. With these buttons, which are also build in the control cabinet, you can ensure a safe start or stop of the system.

LC-2 LEVER CONTROL

The LC-2 can be used to control the direction of rotation of the air motor from the control cabinet.

AIR MOTOR UNIT



The air motor unit consists off the following options:

AIR MOTOR

GLOBE Airmotors sells a lot of different air motors which can be used on winching applications. Please check the rest of our brochure or contact us so we can assist you in choosing the right air motor.

PNEUMATIC BRAKE

The pneumatic brake is a fail-safe brake which is mounted directly onto the air motor. The pneumatic brake is released by air pressure and allows you to safely stop the air motor.

CONTROL VALVE

There are two types of proportional control valves which can be mounted directly onto the air motor unit. You can choose between a hand controlled valve or a remote

controlled valve. The hand control valve allows you to control the speed and the direction of rotation directly from the motor. The remote control valve allows you to control the speed and the direction of rotation from a distance. The remote control valve can be combined with a LC-2 lever control or a PC-2 pendant control.

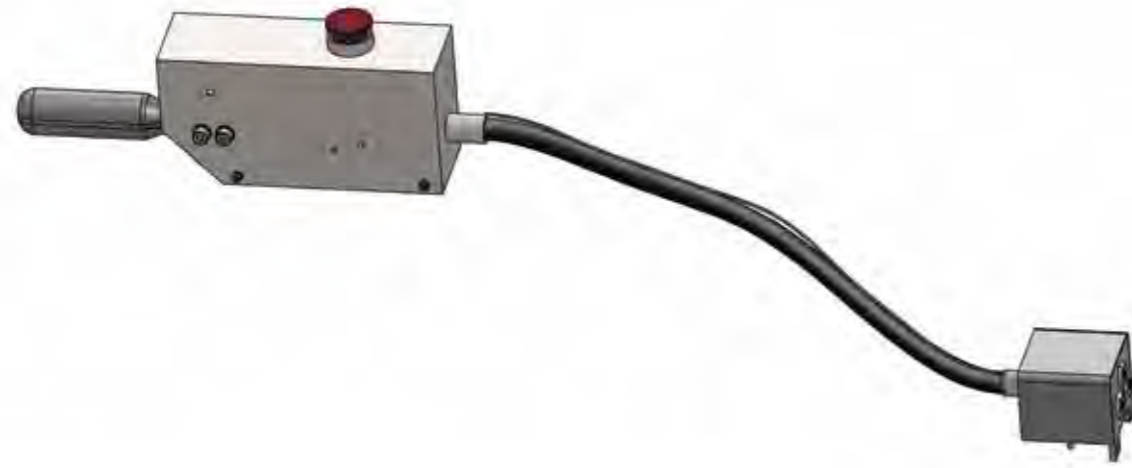
GEARBOX

GLOBE Airmotors uses a wide range of gearboxes which can be combined with the air motor to deliver the required speed and torque.

PIPING

We can provide the air motor unit with suitable piping between the control valve and the brake so the brake is released when the control valve is being used. When the control valve goes back to neutral the pressure to the brake will be released and the brake will hold the load.

PC-2 PENDANT CONTROL



The PC-2 pendant control is connected to the air motor unit and is used to control the motor through the remote control valve from a distance. We can supply the PC-2 pendant control with a stainless steel cover and a build

in emergency stop. The emergency stop shuts off the main air supply to the air motor unit when pressed to ensure a safe use even at a distance.

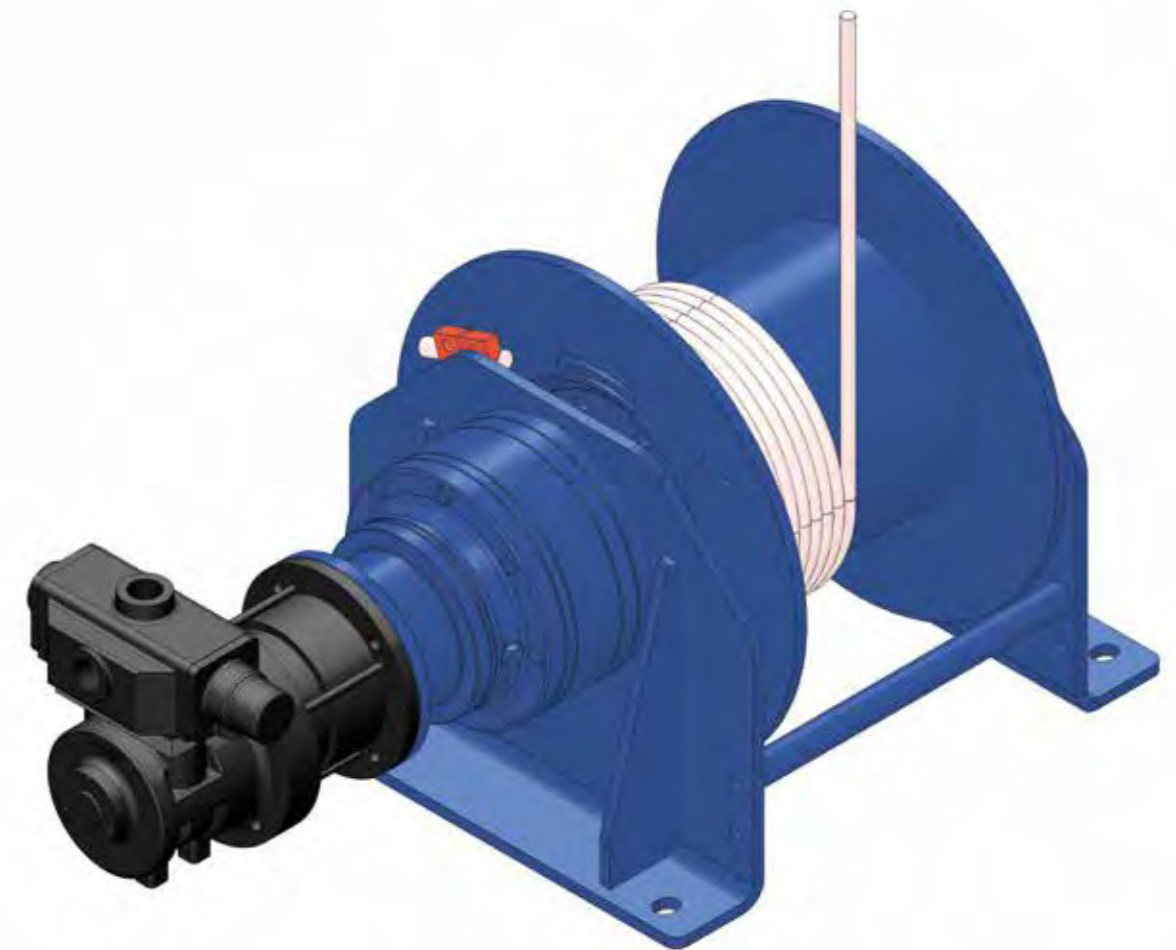
LIMIT SWITCH



The limit switch is directly mounted onto the winch and is used to stop the winch at a pre adjusted moment. For example when you have an application in which the winch can only rotate 20 times. You can set the limit

switch to 20 rotations, so the limit switch will give a signal to the control cabinet to shut down the system when these 20 rotations are obtained. The limit switch is an extra safety option for your winching application.

AIR MOTOR MOUNTED ON A WINCH





STAINLESS STEEL MOTORS AND ACCESSORIES

Due to the growing demand for stainless steel air motors GLOBE Airmotors is constantly working to meet these demands by introducing more and more stainless steel air motors. Keeping our motors on stock is very important for our customers, therefore GLOBE is putting

much effort in keeping stock of stainless steel motors as well. Please see which stainless steel air motors GLOBE keeps on stock and which options are possible. Do not hesitate to contact us for any other stainless steel options.

STAINLESS STEEL VANE MOTORS

The following stainless steel vane air motors are available directly from stock:

| Stainless steel vane air motor |
|--------------------------------|
| VS4CI |
| VA4CI |
| VS6CI |

These stainless steel vane motors have the same dimensions and performances as the standard version of the vane air motors. If you require other stainless steel

vane air motors, please contact us for more information and possibilities.



STAINLESS STEEL COMPACT PISTON AIR MOTOR

The following stainless steel compact piston motors are available directly from stock:

| Stainless steel compact piston air motor |
|--|
| RM012-PXX |
| RM012-PFX |
| RM024/RM048-IXX |
| RM024/RM048-IFX |



STAINLESS STEEL COMPACT VANE AIR MOTOR

The following stainless steel compact vane air motors are available directly from stock:

| Stainless steel compact vane air motor |
|--|
| 2M02RS |
| 2M10RS |
| 5M05RS |
| 5M34RS |



GFRL-FRL STAINLESS STEEL (FILTER, REDUCER AND LUBRICATOR) UNIT

Please contact us for the availability of the stainless steel GFRL-FRL unit. We can supply the following range of FRL units:

| Stainless steel GFRL-FRL unit | |
|-------------------------------|---------------------------------|
| | G1/8" until G1" (2 piece unit) |
| | G1 1/4" until 2" (3 piece unit) |



World Headquarter

GLOBE Airmotors BV

Boerhaaveweg 9-11
2408 AD, Alphen aan den Rijn
The Netherlands

Tel: +31 (0)172 - 42 66 08

Fax: +31 (0)172 - 42 66 07

info@globe-benelux.nl

Germany

GLOBE Luftmotoren & Hochdrucktechnik GmbH

Schmiedestraße 23
26632, Ihlow/Riepe
Germany

Tel: +49 (0)4928-9151 606

Fax: +49 (0)4928-9151 608

info@globelh.de

Distributed by:

PLEASE VISIT US AT WWW.GLOBE-BENELUX.NL



GLOBE AIRMOTORS B.V.