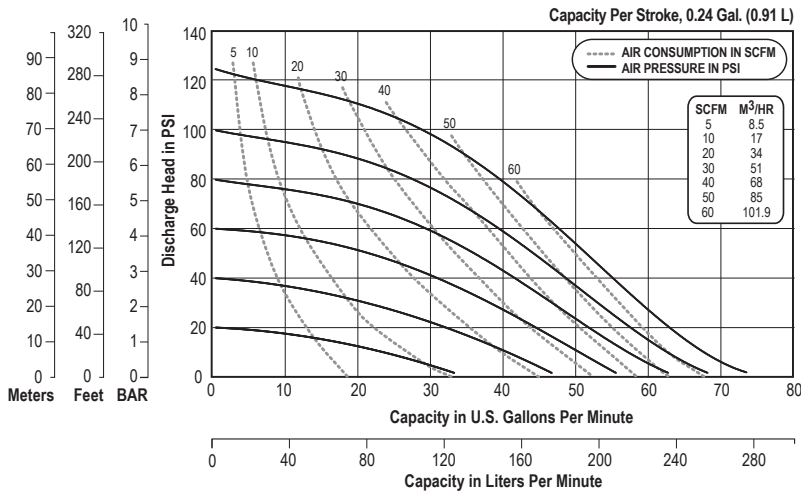


# E4 DATA SHEET

## SPECIFICATIONS & PERFORMANCE

# 1 1/2" Bolted Metal with Metal Center Section

### PERFORMANCE



NOTE: Performance based on the following: elastomeric fitted pump, flooded suction, water at ambient conditions. The use of other materials and varying hydraulic conditions may result in deviations in excess of 5%.

### SPECIFICATIONS

#### Flow Rate

Adjustable to . . . 0-73 gpm (276 lpm)

#### Port Size

Suction . . . . . 1 1/2" Flange

Discharge . . . . . 1 1/2" Flange

Air Inlet . . . 1/2" NPT (3/4" NPT on SS)

Air Exhaust . . . . . 3/4" NPT

#### Suction Lift

Dry . . . . . 15' (4.6 m)

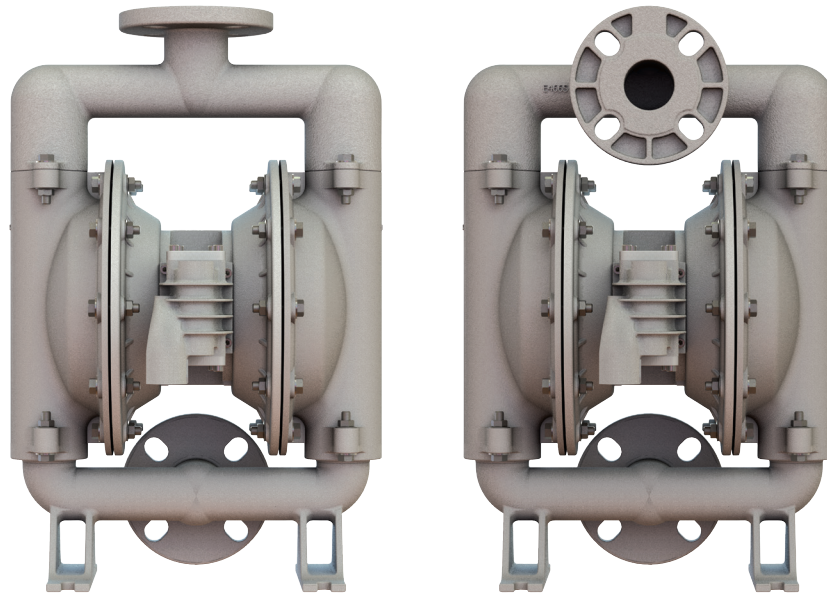
Wet . . . . . 25' (7.6 m)

#### Max Solid Size (Diameter)

. . . . . 3/16" (4.76 mm)

#### Shipping Weights

Stainless Steel . . . . 65 lbs (29.5 kg)



# VERSAMATIC®

Warren Rupp, Inc. | A Unit of IDEX Corporation  
 800 North Main Street | Mansfield, OH 44902 USA  
 Phone: 419.526.7296 | Fax: 419.526.7289

[VERSAMATIC.COM](http://VERSAMATIC.COM)

e4mdlAdsATEXMB-rev0519

©Copyright 2019 Warren Rupp, Inc. All Rights Reserved.

# E4 DATA SHEET

## SPECIFICATIONS & PERFORMANCE

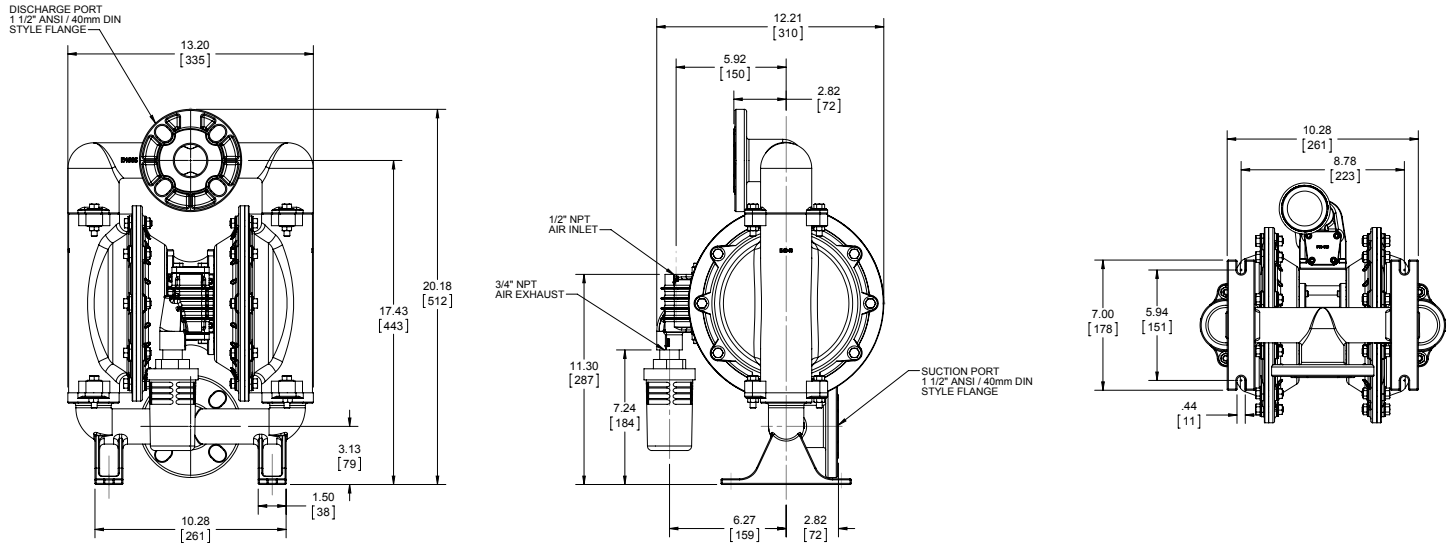
### 1 1/2" Bolted Metal with Metal Center Section

#### DIMENSIONS

##### E4 Bolted Metal (Horizontal Discharge)

Dimensions in inches (metric dimensions in brackets)

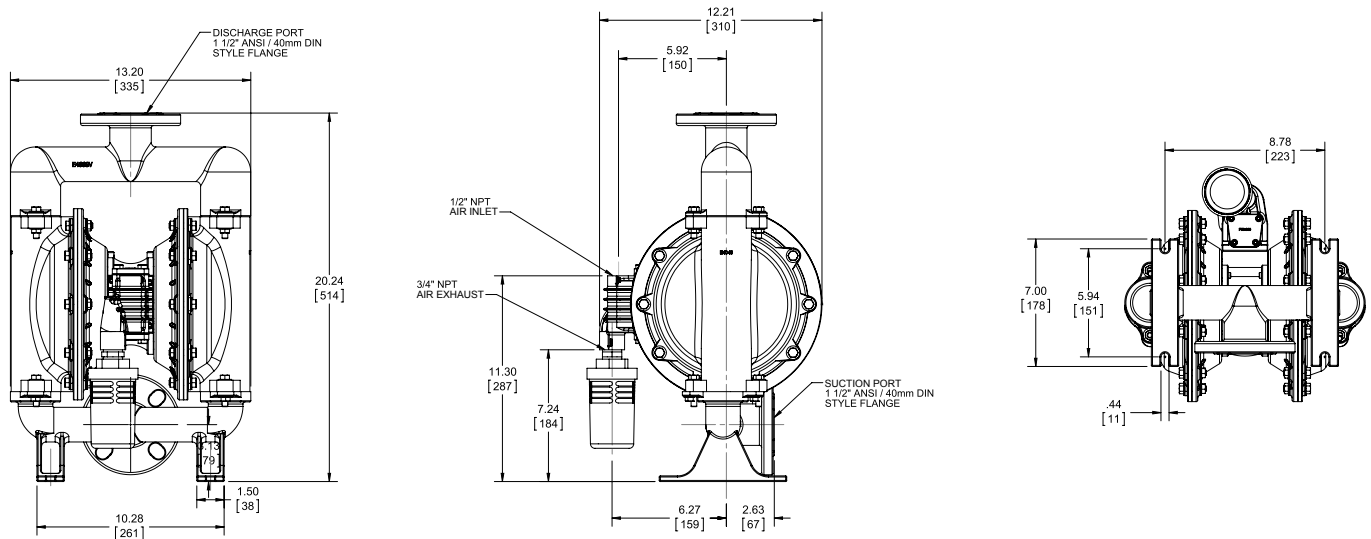
The dimensions on this drawing are for reference only. A certified drawing can be requested if physical dimensions are needed.



##### E4 Bolted Metal (Vertical Discharge)

Dimensions in inches (metric dimensions in brackets)

The dimensions on this drawing are for reference only. A certified drawing can be requested if physical dimensions are needed.



**VERSAMATIC**<sup>®</sup>

Warren Rupp, Inc. | A Unit of IDEX Corporation  
800 North Main Street | Mansfield, OH 44902 USA  
Phone: 419.526.7296 | Fax: 419.526.7289

[VERSAMATIC.COM](http://VERSAMATIC.COM)

e4mdlAdsATEXMB-rev0519

©Copyright 2019 Warren Rupp, Inc. All Rights Reserved.