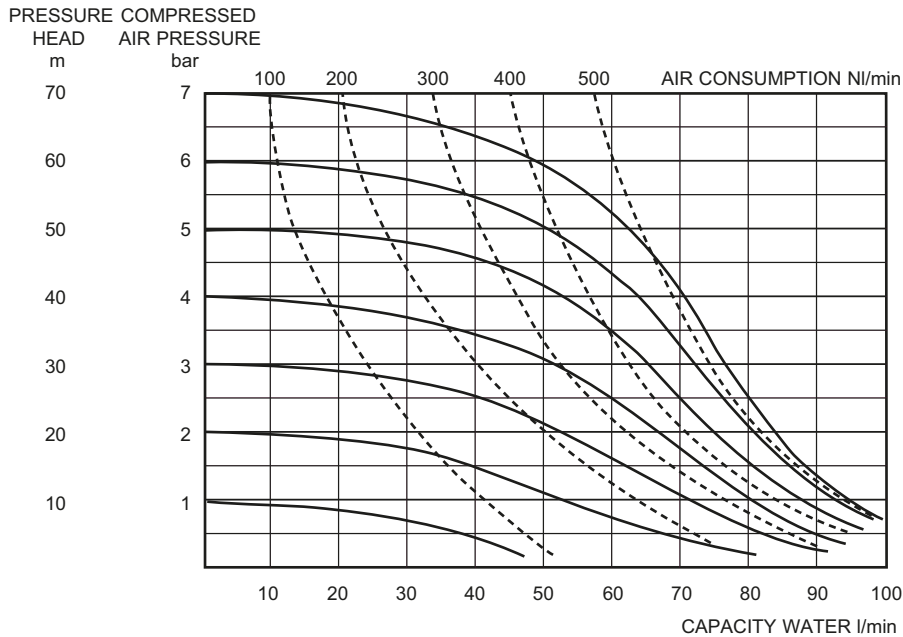
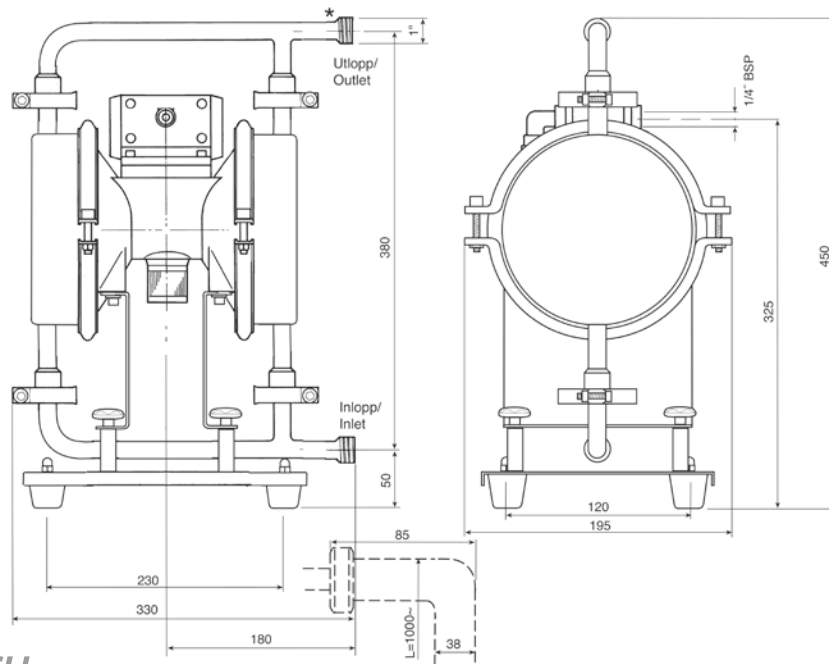


P-SERIES - P30 S



Please note that when a pump is fitted with Teflon® diaphragms, a capacity reduction of up to 15% may occur.

MATERIAL			SPECIFICATION						
Pump housing	Diaphragms	Valve balls	Max capacity	Max working pressure	Max Temp.	Liquid connection	Air connection	Particle size max.	Weight
SS316L	PTFE, Buna-N, EPDM, Vitron®	PTFE, Buna-N, EPDM, Vitron®	100 l/min	10 bar	100 °C	R1" male SMS25 TC 1"	R¼" female	5 mm	14 kg



CollyFLOWTECH
INNOVATIV FLÖDESTEKNIK



Dominator Pump AB

CollyFlowtech Group

Postal address
 Grossistgatan 3
 553 02 JÖNKÖPING

Delivery address
 Grossistgatan 3
 553 02 JÖNKÖPING

Telephone
 +46 (0)36-18 11 60

E-mail
 info@dominator.se
 Web
 www.dominator.se

VAT nr
 556209-3962

