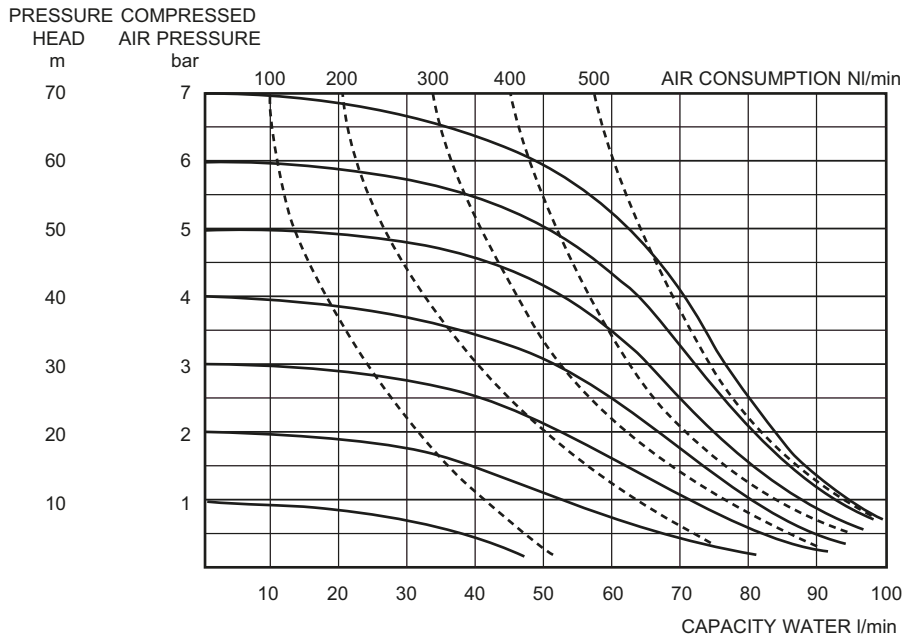
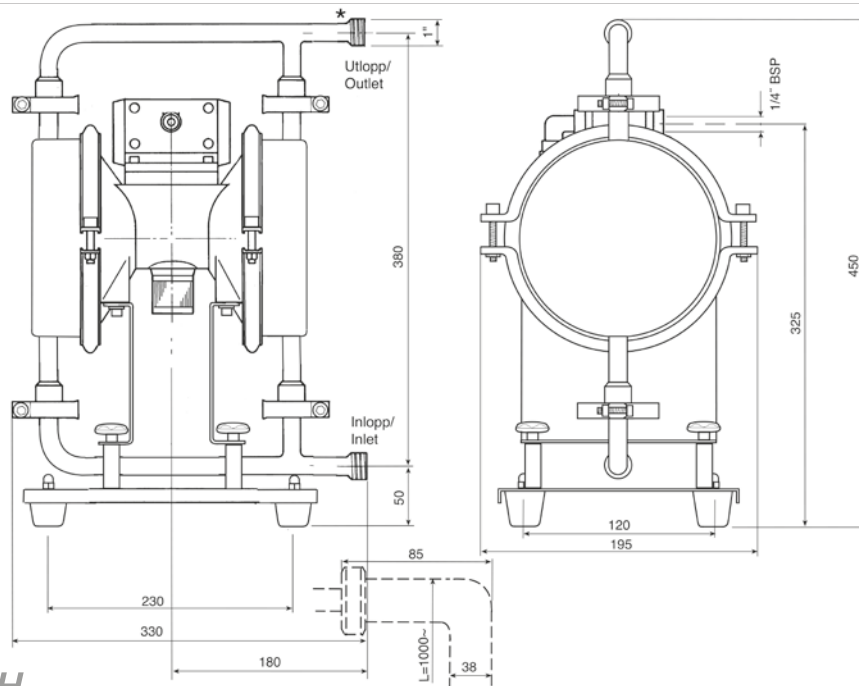


P-SERIES - P38 S



Please note that when a pump is fitted with Teflon® diaphragms, a capacity reduction of up to 15% may occur.

MATERIAL			SPECIFICATION						
Pump housing	Diaphragms	Valve balls	Max capacity	Max working pressure	Max Temp.	Liquid connection	Air connection	Particle size max.	Weight
SS316L	PTFE, Buna-N, EPDM, Vitron®	PTFE, Buna-N, EPDM, Vitron®	100 l/min	10 bar	100 °C	TC 1" SMS25 R 1" female	R 1/4" female	5 mm	14 kg



CollyFLOWTECH
INNOVATIV FLÖDESTEKNIK



Dominator Pump AB

CollyFlowtech Group

Postal address
Grossistgatan 3
553 02 JÖNKÖPING

Delivery address
Grossistgatan 3
553 02 JÖNKÖPING

Telephone
+46 (0)36-18 11 60

E-mail
info@dominator.se
Web
www.dominator.se

VAT nr
556209-3962

