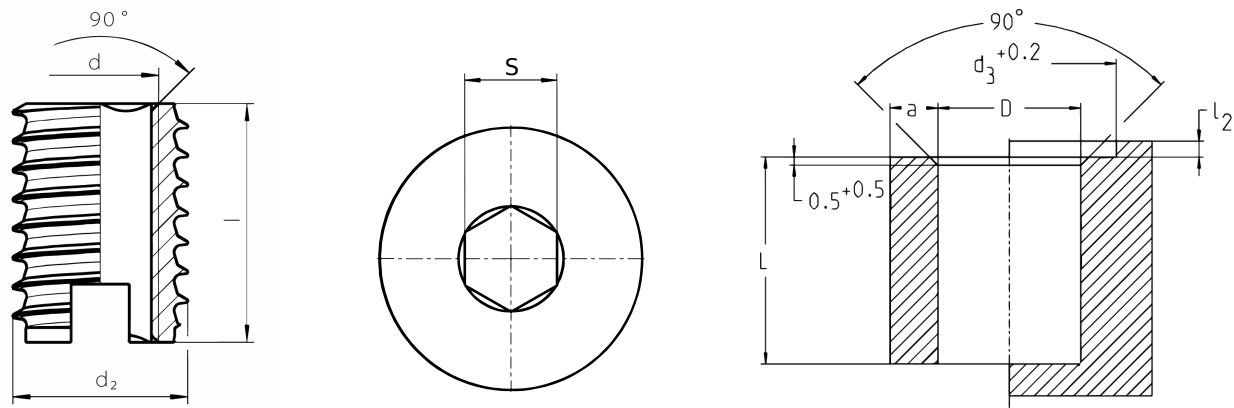


# QUICKSERT® Hex

Brass | Type 1437 | Hex | standard

**Advantages:**

- Efficient installation process resulting from additional driver shape (e.g. hexagonal shape)
- For thermoplastics and thermosets
- Extra small flank angles of the special external thread minimise radial tensions
- High-strength and torsion-proof threads
- Special version available with external left-hand thread for improved reverse locking



Diameter (d)	Article number	d <sub>3</sub> nominal size	Length (l) nominal size	S	a min.	l <sub>2</sub>	Outer diameter (d <sub>2</sub> )	L min.
M 4	14375040008	10	8	3.2	3	1.0	7	9
M 5	14375050010	11	10	4	4	1.2	8	11
M 6	14375060014	13	14	5	4	1.4	10	15
M 8	14375080015	15	15	6.5	5	1.4	12	16

All technical data refer to the measure mm

