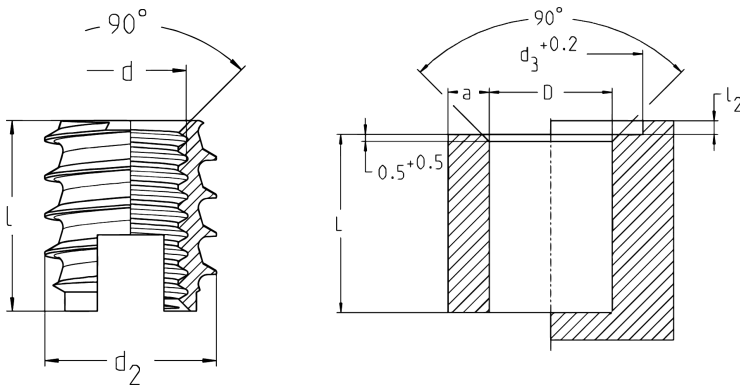


QUICKSERT®

Steel | Type 1434 | flange

Advantages:

- For brittle and ductile plastics such as unsaturated polyester resins (SMC, ZMC), polyurethane and glass-fibre reinforced thermoplastics
- Universal use
- High-strength and torsion-proof threads
- Optimum assembly characteristics



Diameter (d)	Article number	Length (l) nominal size	a min.	Outer diameter (d2)	L min.
M 4	14341040008	8	3	7	9
M 5	14341050010	10	4	8	11
M 6	14341060014	14	4	10	15
M 8	14341080015	15	5	12	16

All technical data refer to the measure mm

