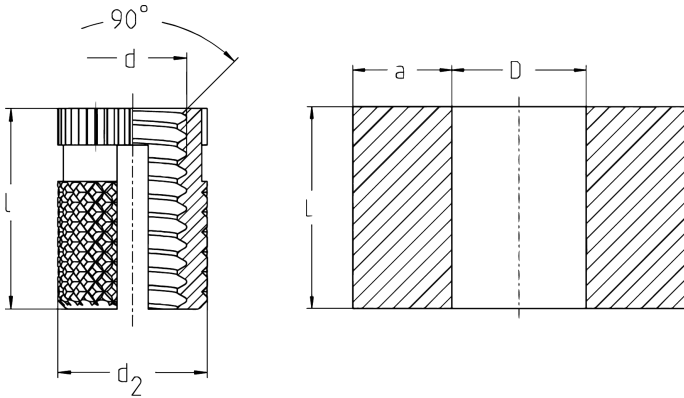


SPREDSERT® with retaining flange

Brass | Type 0837 | knurled | flange

Advantages:

- For thermoset and thermoplastic components
- High-strength threads in through holes
- Screw locking



Diameter (d)	Article number	Pitch (P)	d ₃ nominal size	Length (l) nominal size	a min.	l ₂	Outer diameter (d ₂)	L min.
M 3	08351030048	0.50	5.5	4.8	3.2	0.5	4.3	4.5
M 3.5	08351350064	0.60	6.3	6.4	3.6	0.7	5.1	6.0
M 4	08351040008	0.70	7	8.0	4.0	0.8	6	7.5
M 5	08351050095	0.80	8	9.5	4.8	1.0	6.8	9.0
M 6	08351060127	1.00	9.5	12.7	6.0	1.3	8.4	12.0
M 8	08351080127	1.25	11	12.7	7.1	1.3	9.9	12.0

All technical data refer to the measure mm

