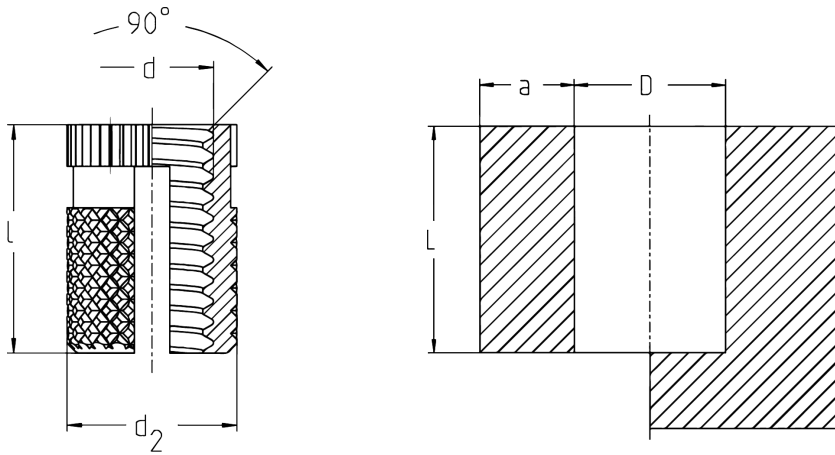


SPREDSERT® 2

Brass | Type 0837 | knurled

Advantages:

- For thermoset parts
- Knurled flange and diamond knurl ensure high degree of security against twisting and tensile load
- Screw locking



Diameter (d)	Article number	Pitch (P)	Length (l) nominal size	a min.	Outer diameter (d2)	L min.
M 3	08371030005	0.5	5.0	3.0	4.3	5.5
M 3.5	08371350064	0.6	6.4	3.3	5.1	7.0
M 4	08371040008	0.7	8.0	3.5	6	8.5
M 5	08371050095	0.8	9.5	4.0	6.8	10.0
M 6	08371060127	1.0	12.7	5.0	8.4	13.5

All technical data refer to the measure mm

